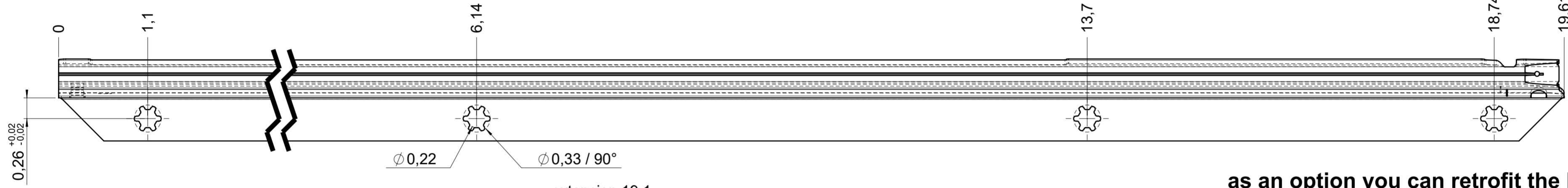
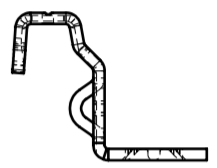
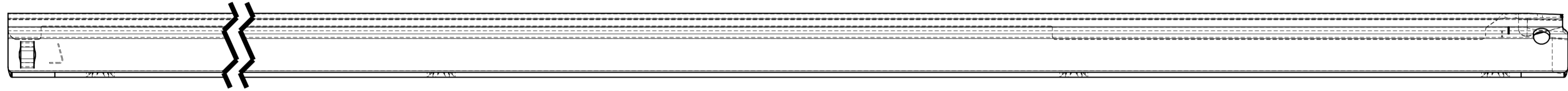
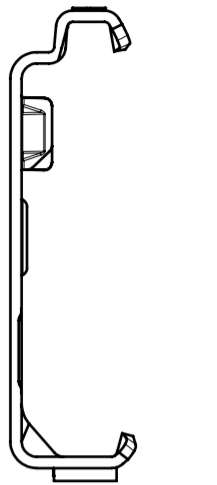
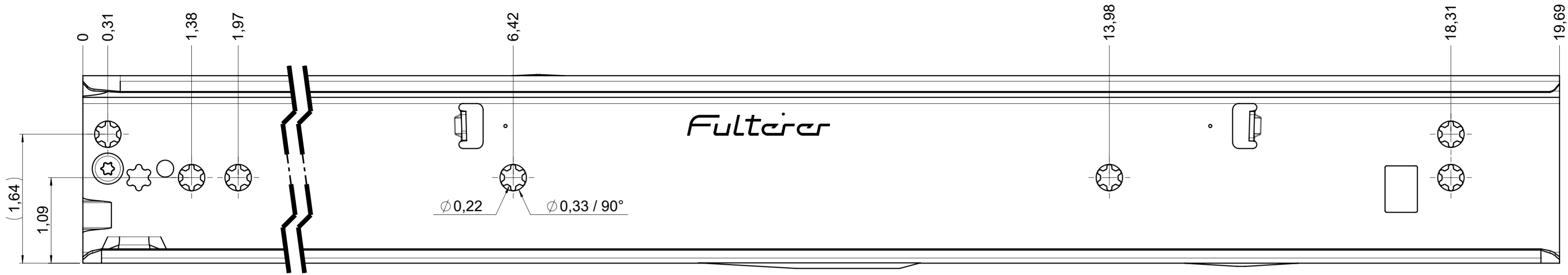
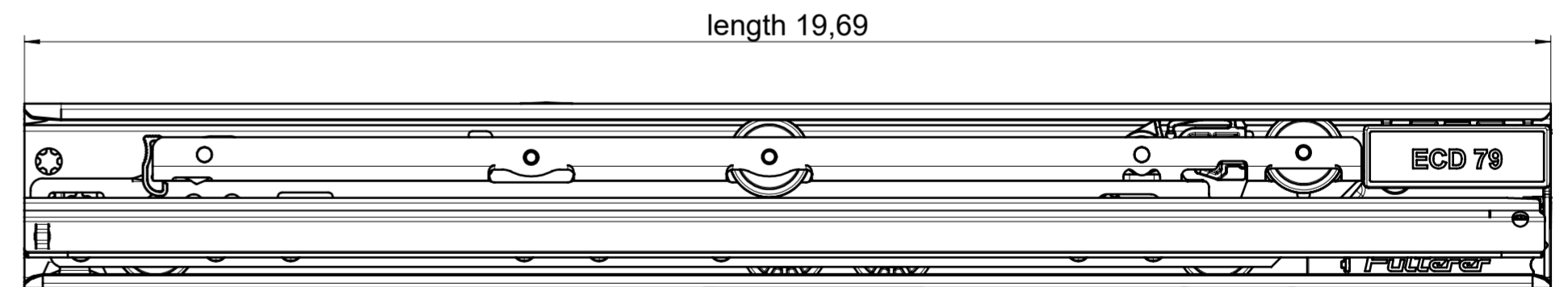
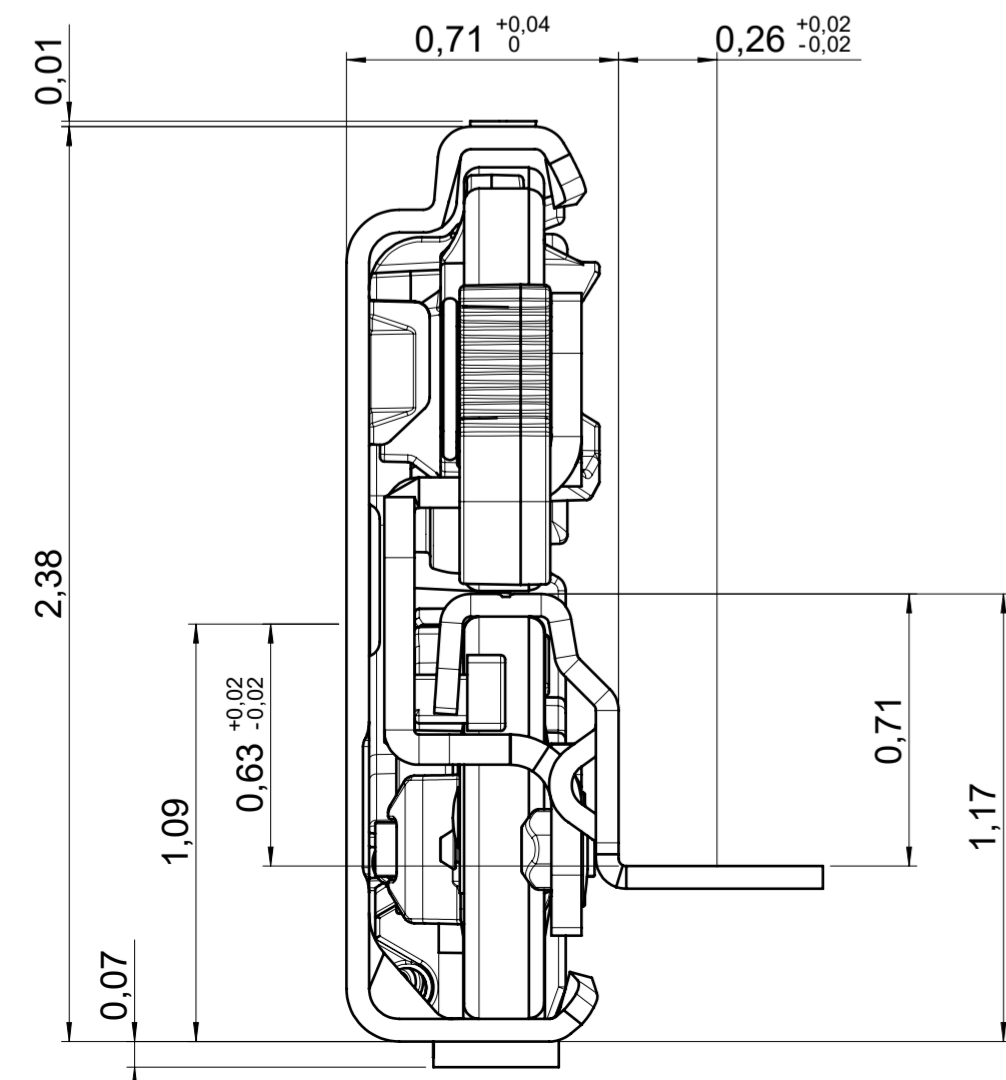
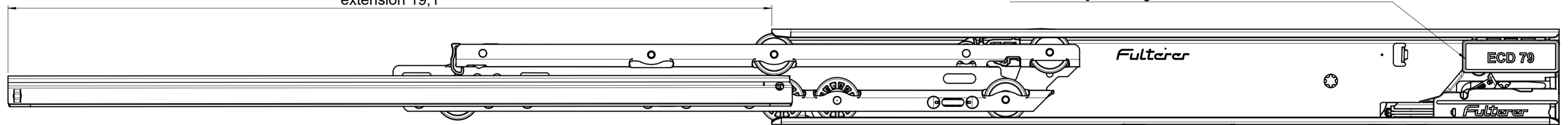


drawn on the left (mirrored on the right)



as an option you can retrofit the ECD



**final approval**

customer name:

signed by:

date:

all dimensions in inch			
missing dimensions see 3D = theor. intersection	scale: 1:1	surface/color:	material: CS (technical requirements Fulterer)
<b>prototype approval</b>	drawn: 2022-11-24 EX	date:	description: <b>FR 796-500 CS EN (inch)</b> progressive-action full-extension drawerslide / bottom mount
	proven: 2024-01-16 RK		
ind. changes		drawing number: <b>CS# 796.500-GA.0000</b>	
date		replaces the edition:	
name		covered according to DIN ISO 16016	

