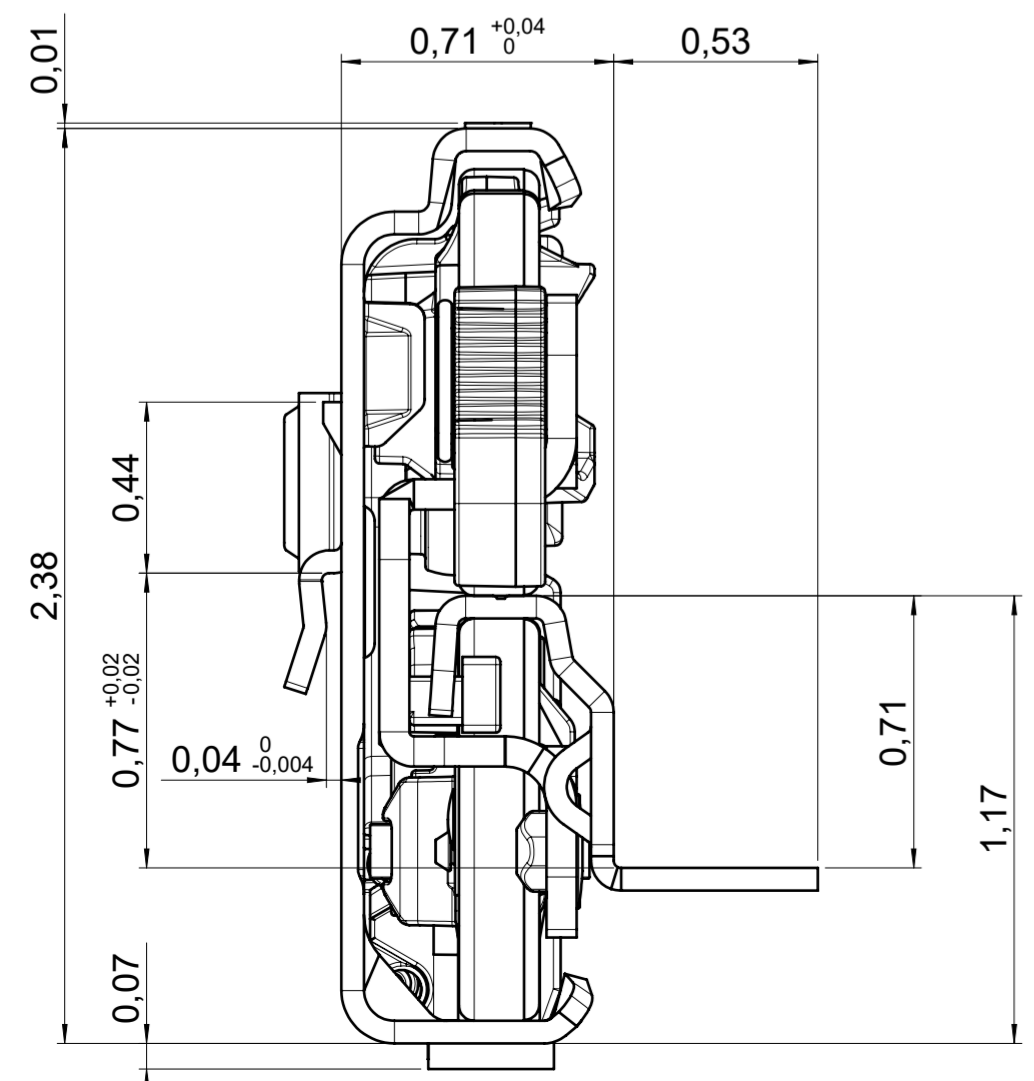
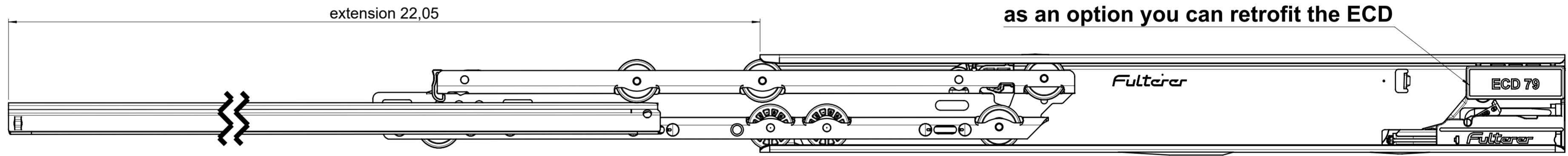
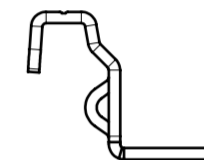
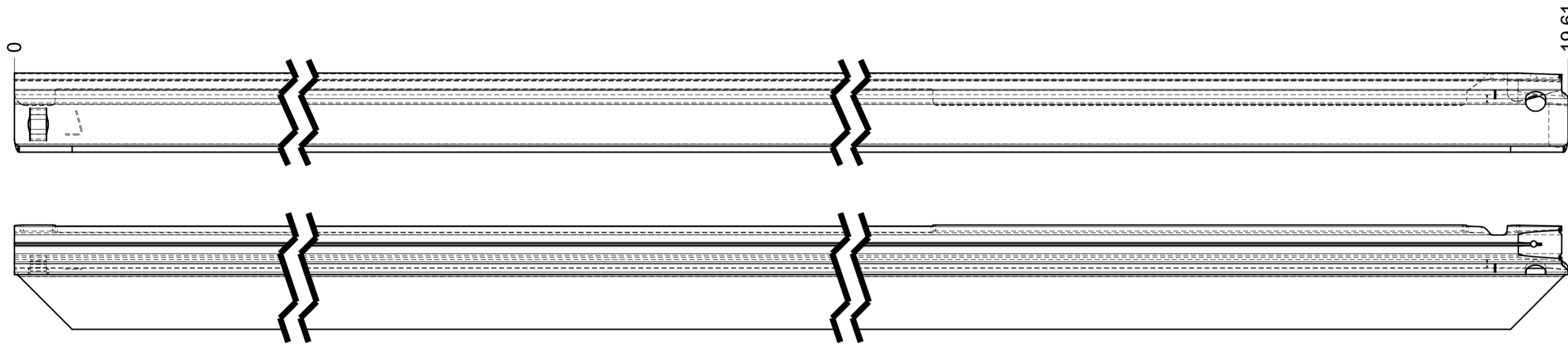
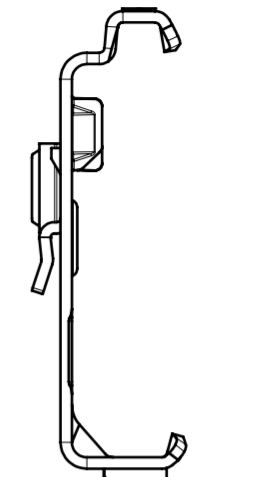
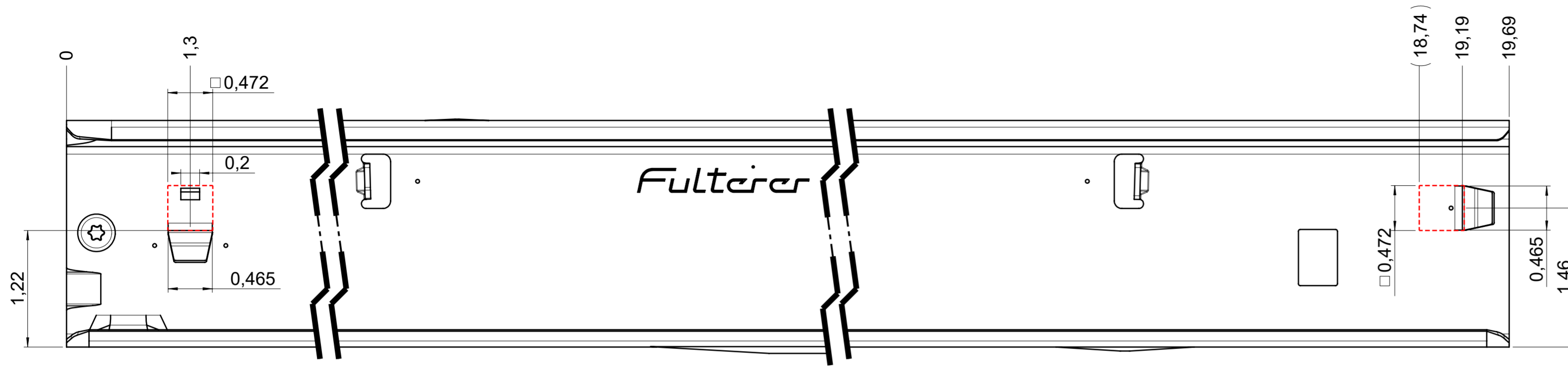


drawn on the left (mirrored on the right)



final approval

customer name:

signed by:

date:

all dimensions in inch			
missing dimensions see 3D ∅ = theor. intersection	scale: 1:1	surface/color:	material: CS (technical requirements Fulterer)
<b>prototype approval</b> <input type="checkbox"/> <input type="checkbox"/> <input type="checkbox"/> <input type="checkbox"/> <input type="checkbox"/> <input type="checkbox"/> <input type="checkbox"/> <input type="checkbox"/> <input type="checkbox"/> <input type="checkbox"/>	drawn 2024-01-15 RK	date 2024-01-15 RK	description: <b>FR 796-500 CS EN (inch)</b> progressive-action over-extension drawerslide / bottom mount
	<b>Fulterer</b> Fulterer AG & Co KG A-6890 Lustenau Fulterer AG CH-9430 St. Margrethen		drawing number: <b>CS# 796.500-GA.L525</b> replaces the edition:
ind. changes      date      name			covered according to DIN ISO 16016