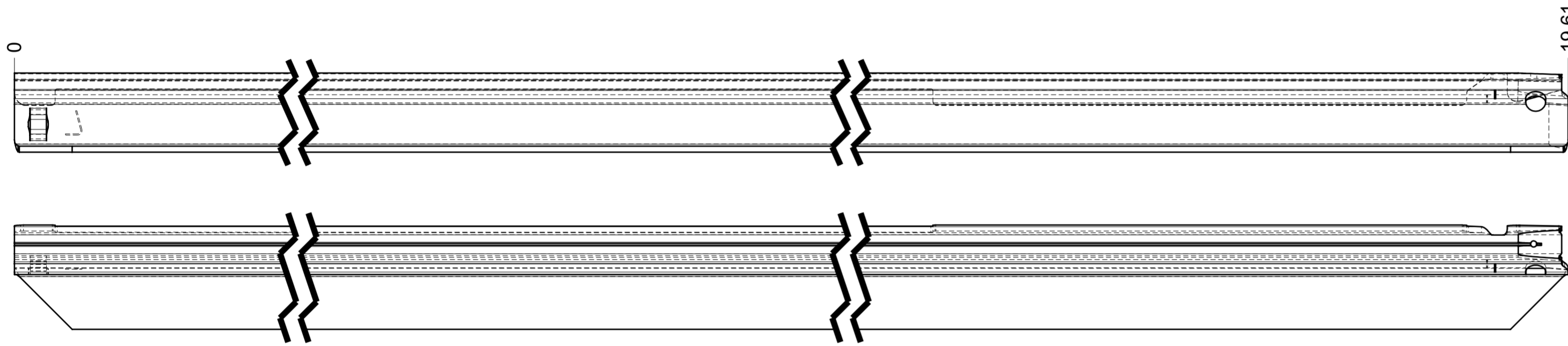
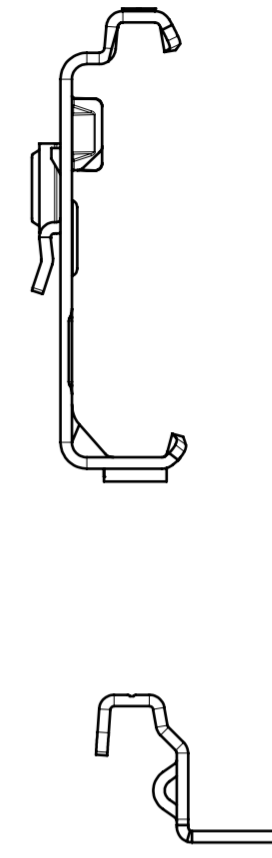
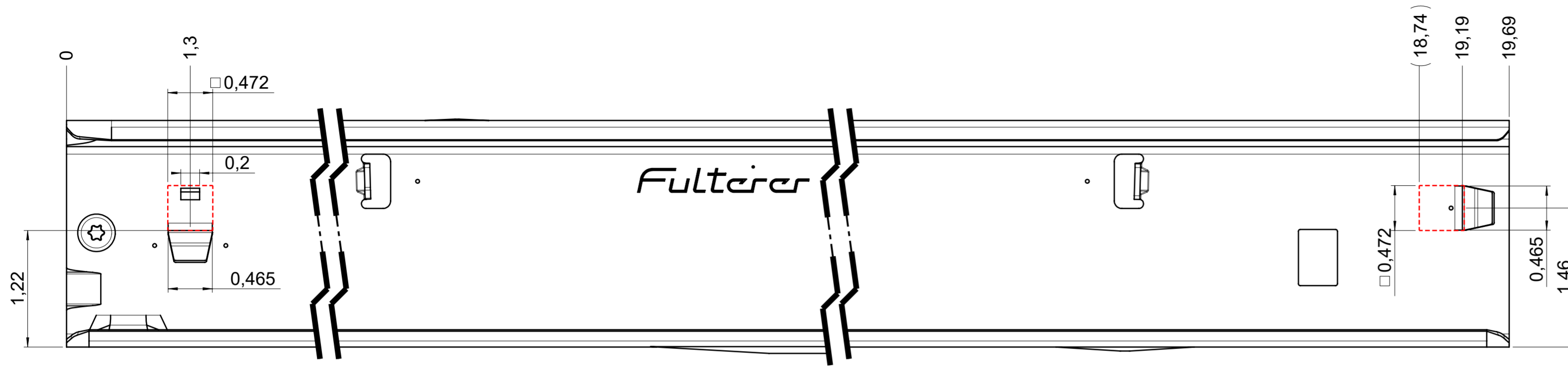
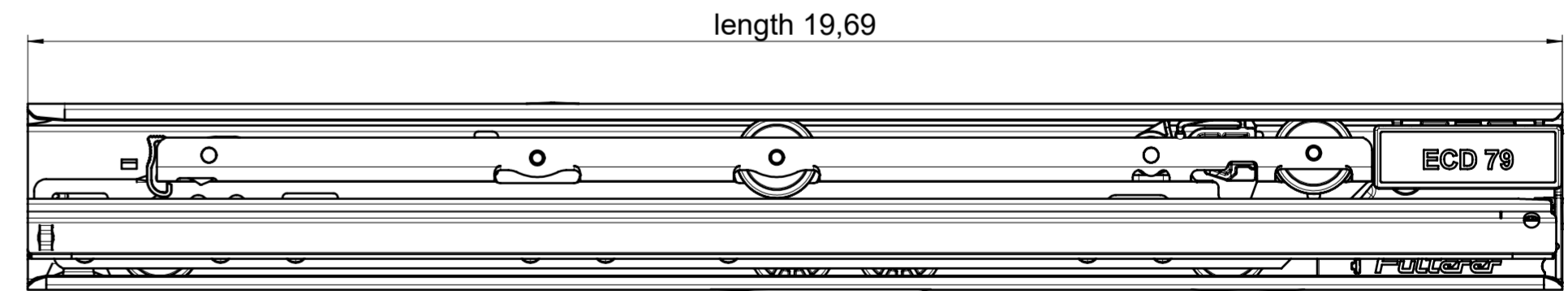
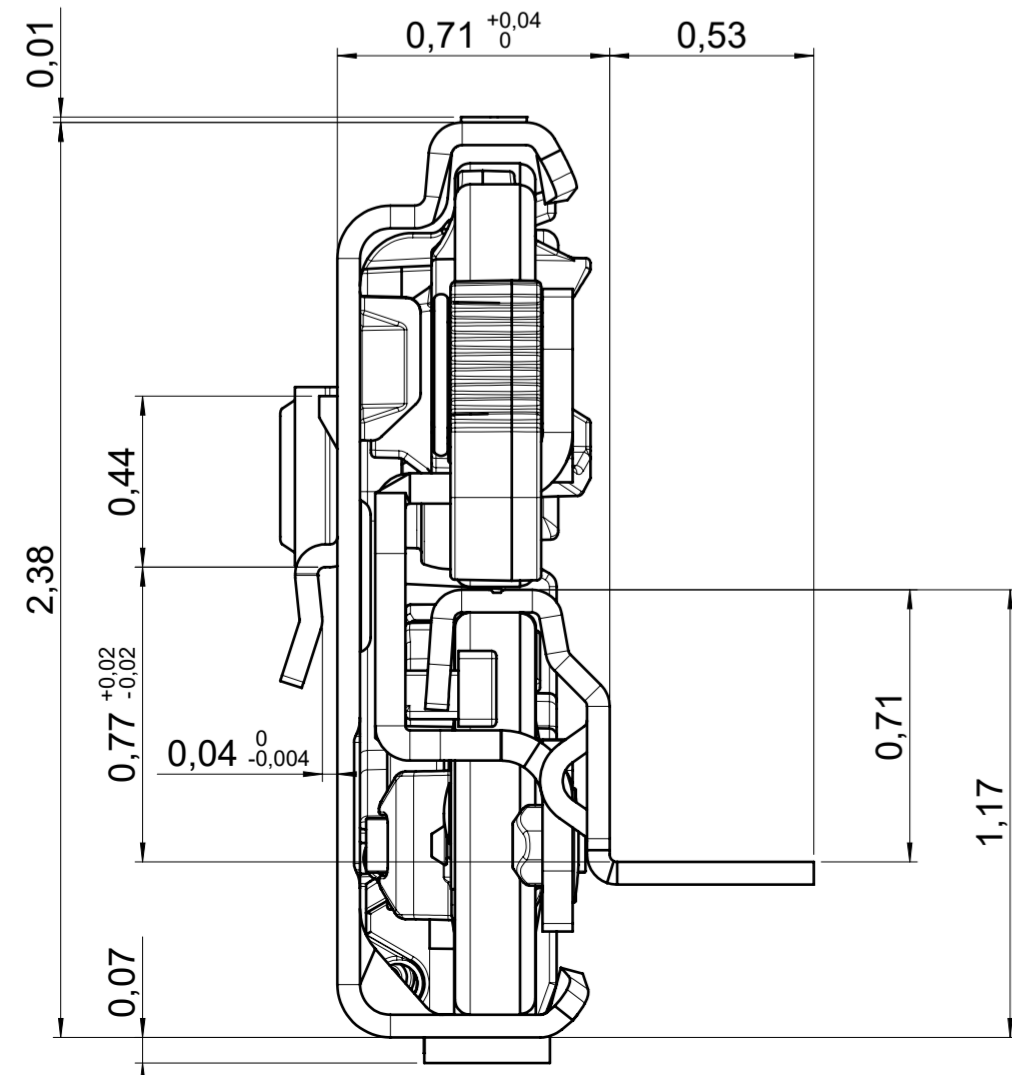
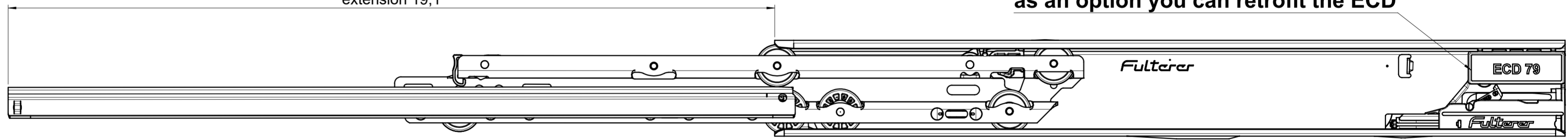


drawn on the left (mirrored on the right)



as an option you can retrofit the ECD



final approval

customer name:

signed by:

date:

all dimensions in inch			
missing dimensions see 3D = theor. intersection	scale: 1:1	surface/color:	material: CS (technical requirements Fulterer)
prototype approval	drawn 2024-01-16 RK	date 2024-01-16 RK	description: FR 796-500 CS EN (inch) progressive-action full-extension drawerslide / bottom mount
drawing number: CS# 796.500-GA.L526			replaces the edition:
ind. changes date name			covered according to DIN ISO 16016