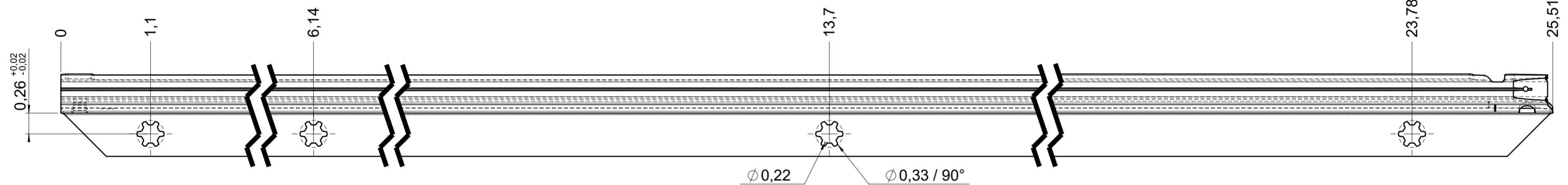
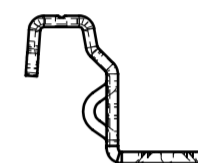
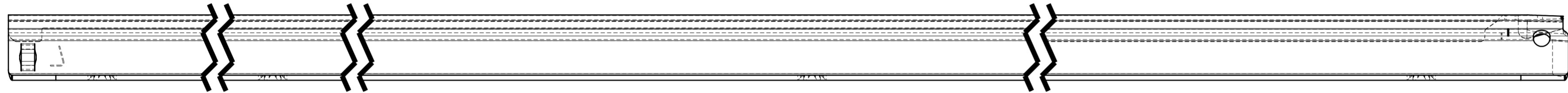
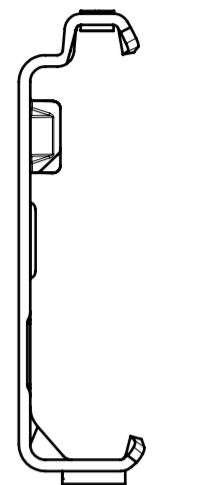
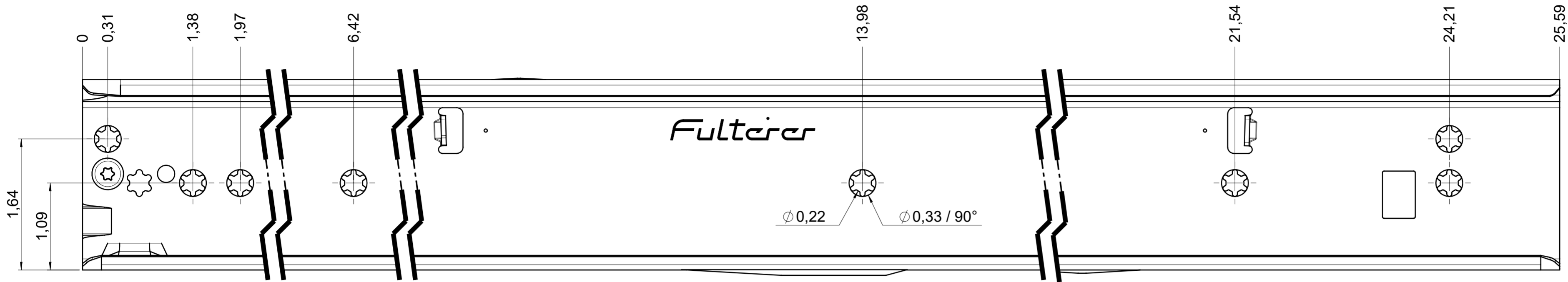
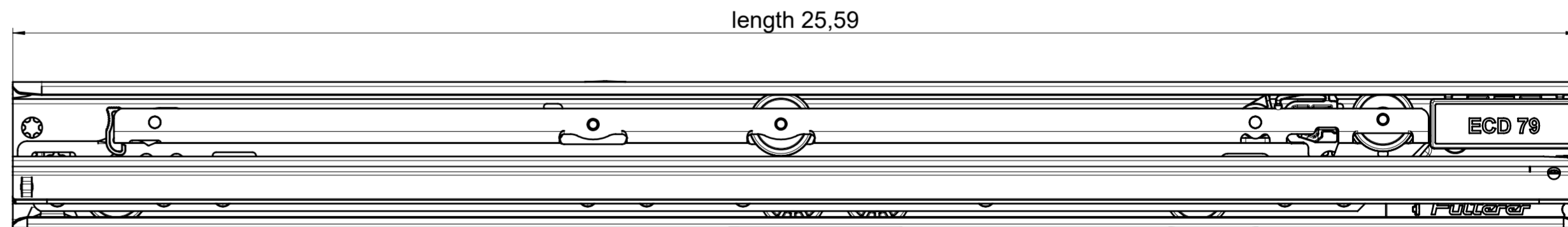
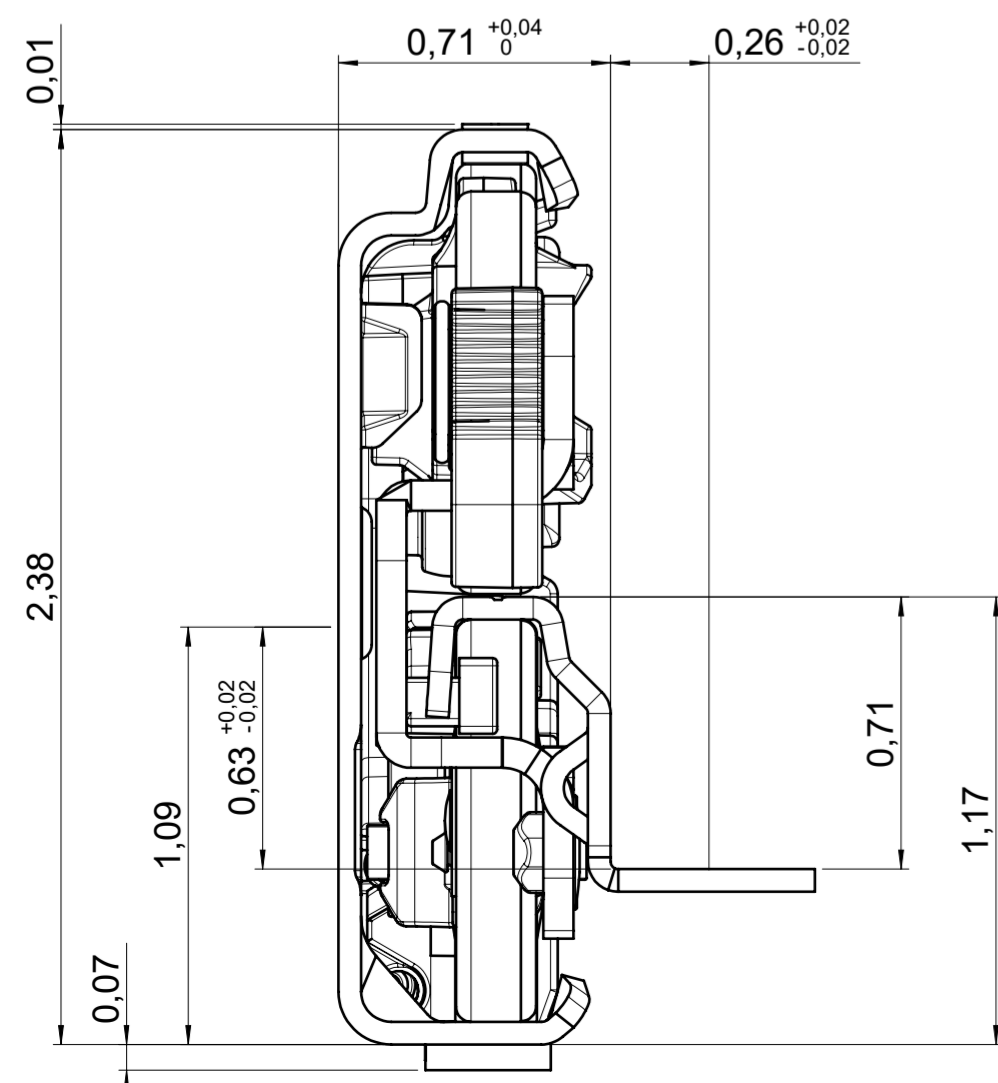
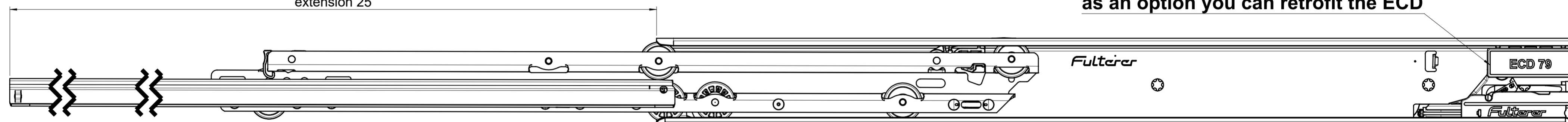


drawn on the left (mirrored on the right)



as an option you can retrofit the ECD




**final approval**

customer name:

signed by:

date:

all dimensions in inch			
missing dimensions see 3D = theor. intersection	scale: 1:1	surface/color:	material: CS (technical requirements Fulterer)
<b>prototype approval</b>	drawn: 2022-11-24 EX	date:	description: <b>FR 796-650 CS EN (inch)</b> progressive-action full-extension drawerslide / bottom mount
	proven: 2024-01-16 RK		
 Fulterer AG & Co KG A-6890 Lustenau Fulterer AG CH-9430 St. Margrethen		drawing number: <b>CS# 796.650-GA.0000</b>	
ind. changes			replaces the edition:
This drawing remains our property and may not be multiplied neither be disclosed to third parties (§§1.3 and 5 from the copyright Act (UrH.G)).			covered according to DIN ISO 16016