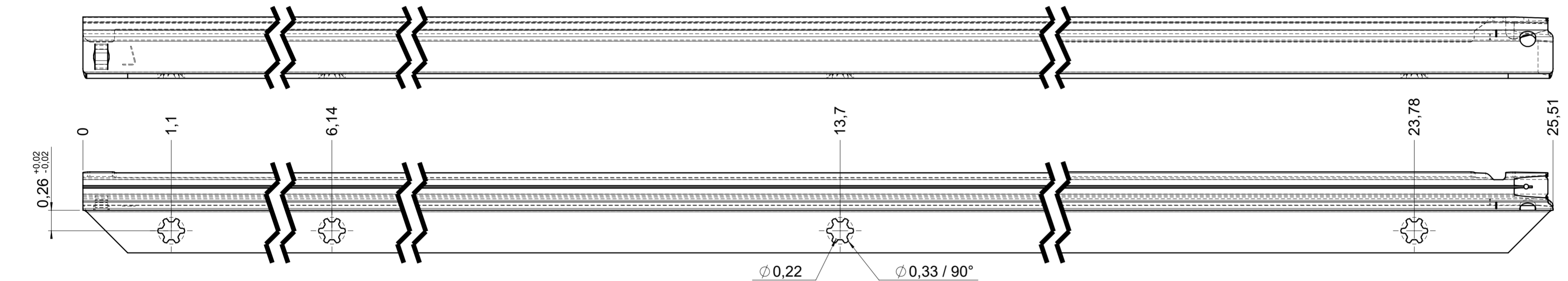
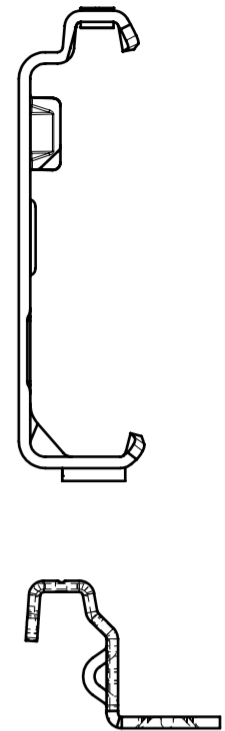
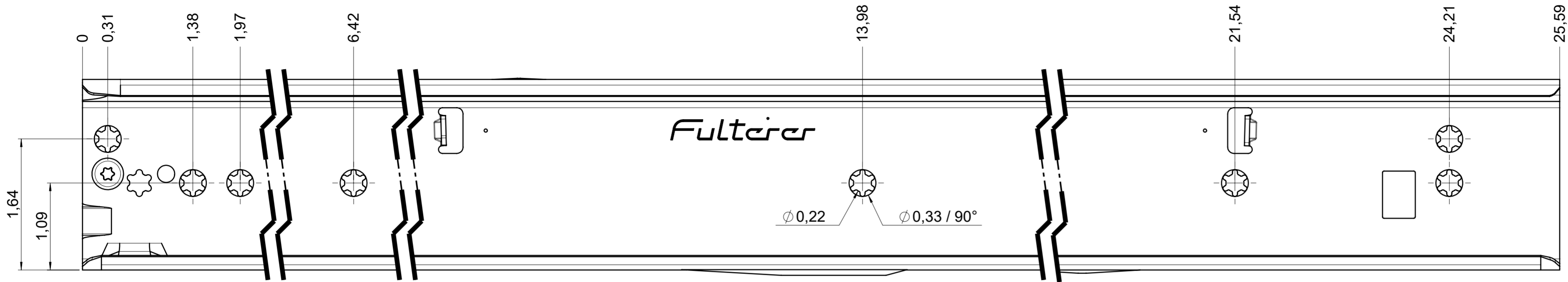
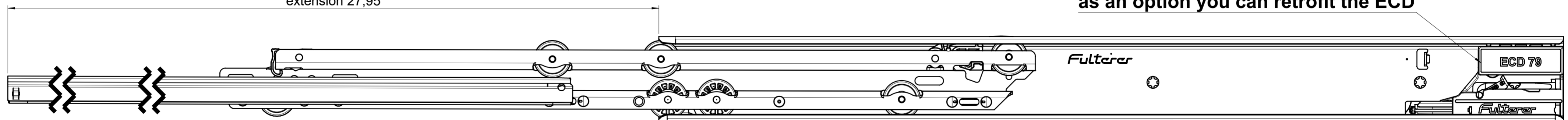


drawn on the left (mirrored on the right)

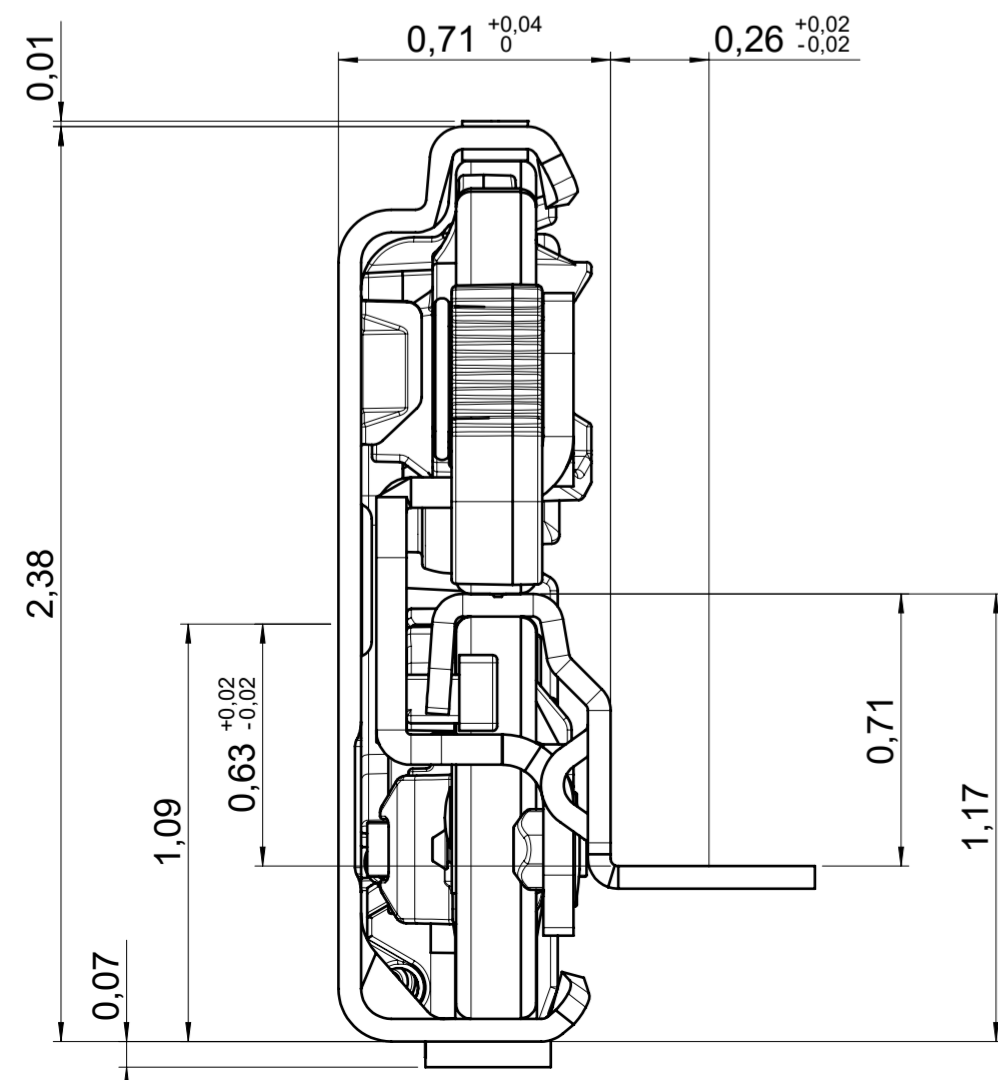


extension 27,95

as an option you can retrofit the ECD



length 25,59




final approval

customer name:

signed by:

date:

all dimensions in inch			
missing dimensions see 3D = theor. intersection	scale: 1:1	surface/color:	material: CS (technical requirements Fulterer)
prototype approval	drawn: 2024-01-15 RK	date: 2024-01-15	description: FR 796-650 CS EN (inch) progressive-action over-extension drawerslide / bottom mount
	proven: 2024-01-15 RK		
 Fulterer AG & Co KG A-6890 Lustenau		drawing number: CS# 796.650-GA.L500	
PDM 2021-01-15 RK ind. changes date name		Fulterer AG CH-9430 St. Margrethen replaces the edition:	
This drawing remains our property and may not be multiplied neither be disclosed to third parties (§§1.3 and 5 from the copyright Act (UrH.G)).			covered according to DIN ISO 16016