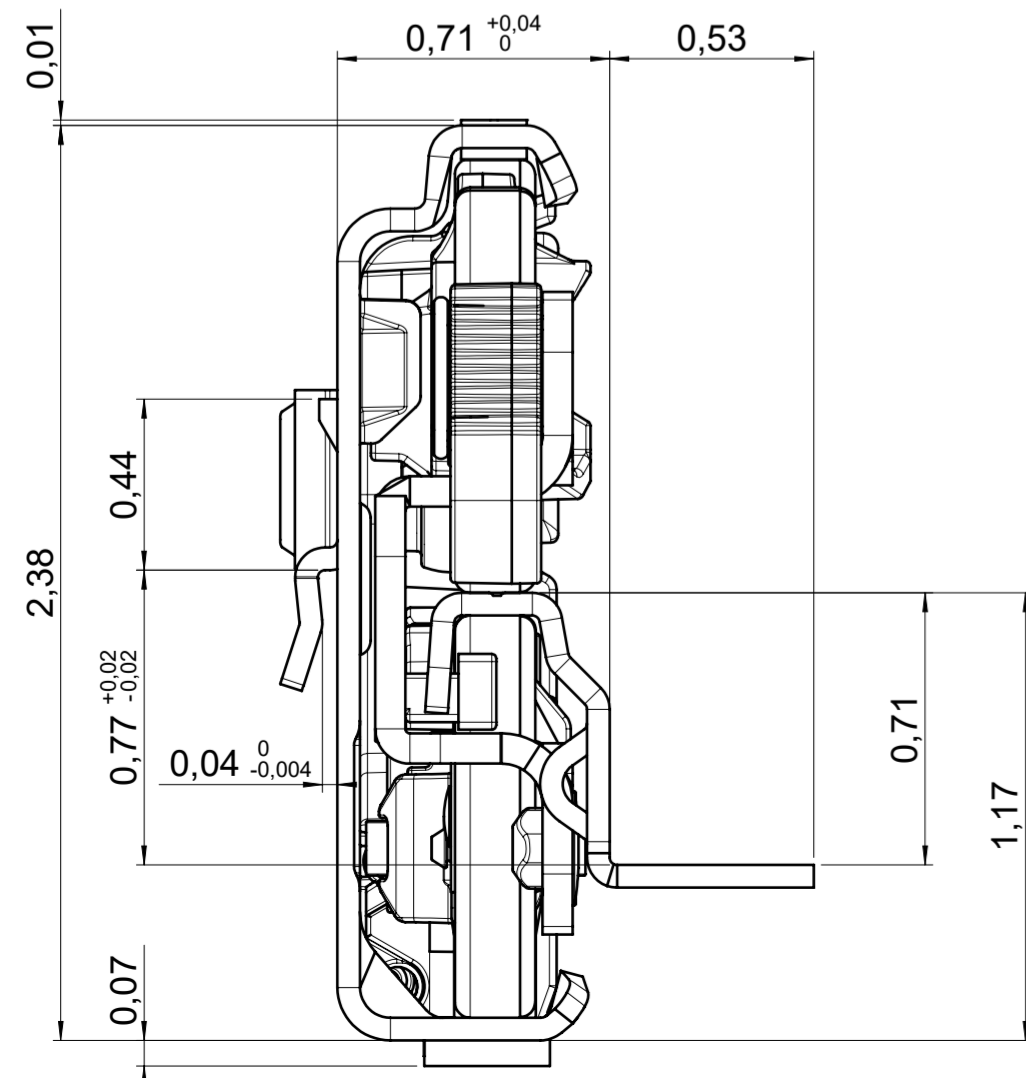
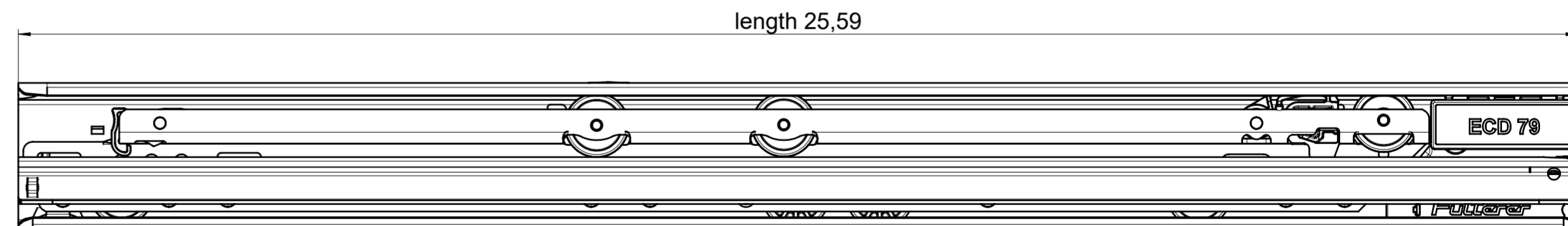
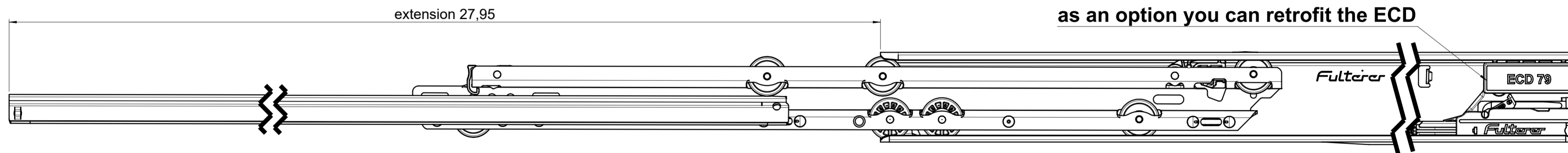
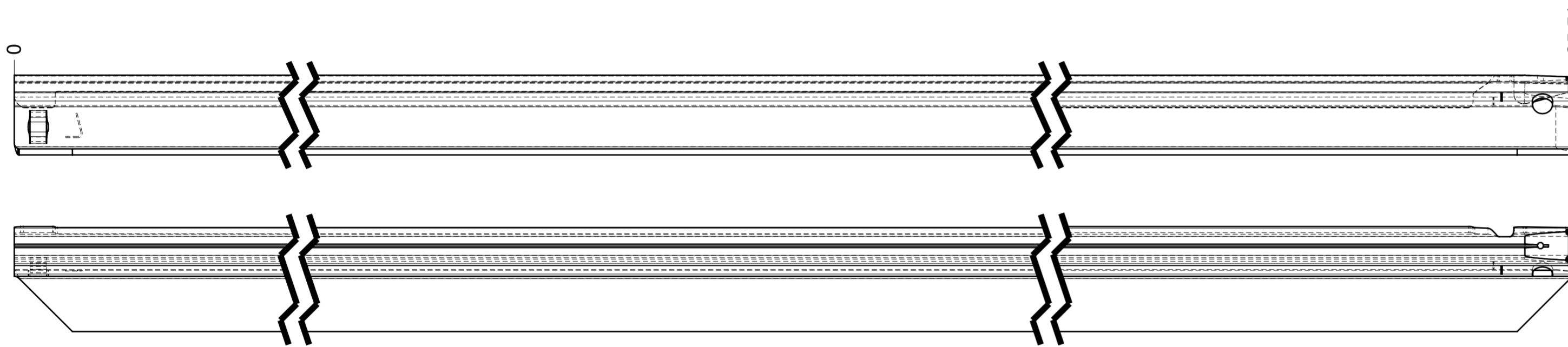
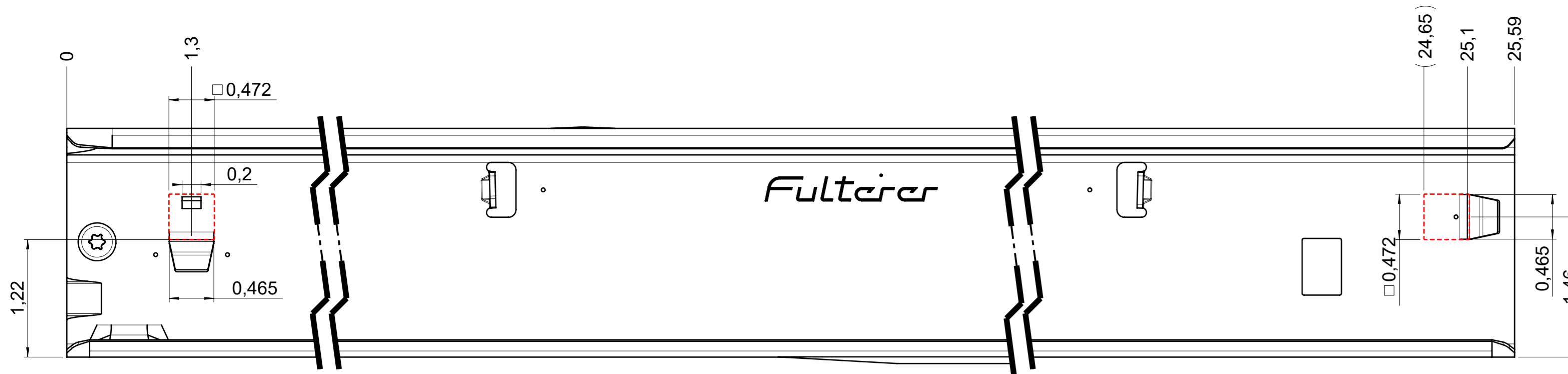


drawn on the left (mirrored on the right)



final approval

customer name:

signed by:

date:

all dimensions in inch					
missing dimensions see 3D = theor. intersection	DIN ISO 128-30	scale: 1:1	surface/color:	material: CS	(technical requirements Fulterer)
prototype approval	drawn	date	name	description:	
	proven	2024-01-15	RK	FR 796-650 CS EN (inch) progressive-action over-extension drawerslide / bottom mount	
ind. changes				drawing number:	
	date	name	CS# 796.650-GA.L525 replaces the edition:		