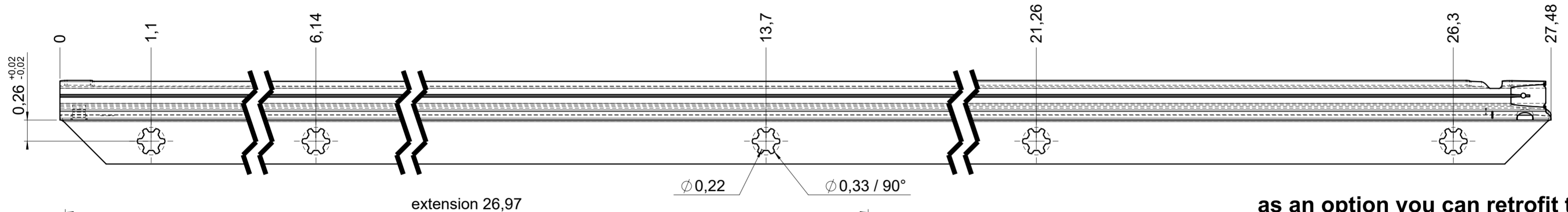
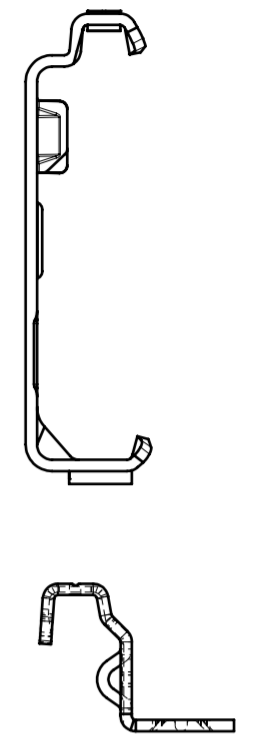
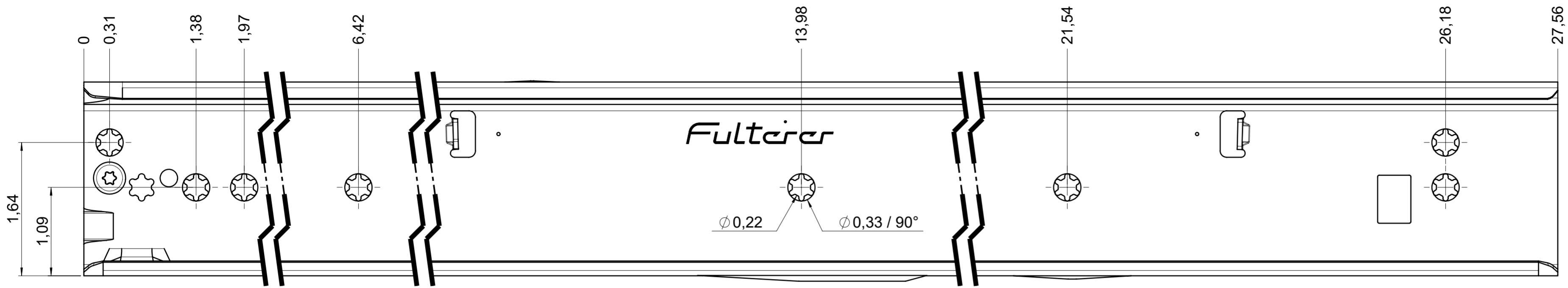
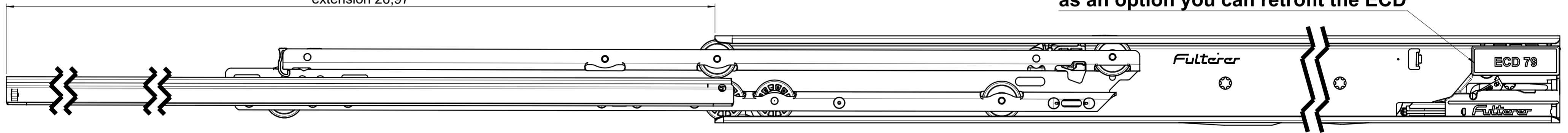


drawn on the left (mirrored on the right)

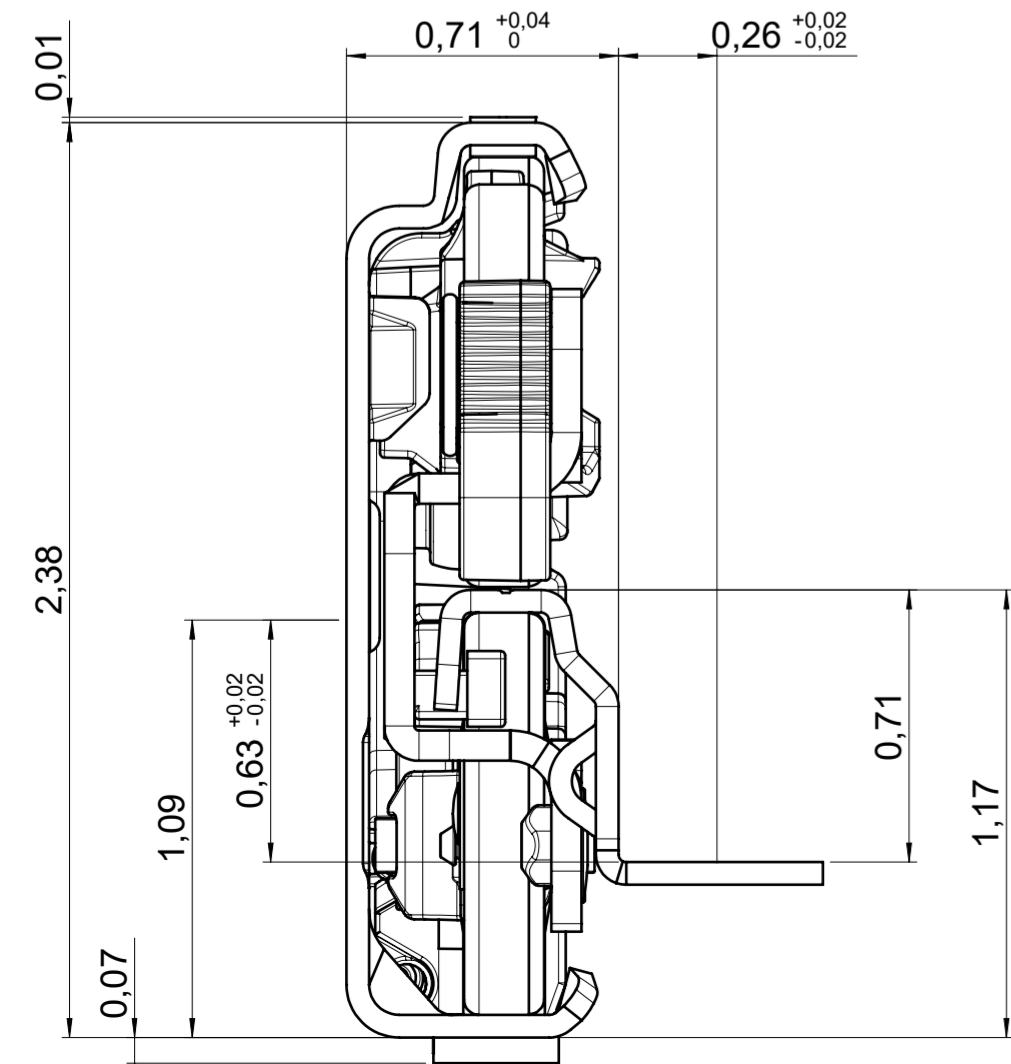


extension 26,97

as an option you can retrofit the ECD



length 27,56



final approval

customer name:

signed by:

date:

all dimensions in inch			
missing dimensions see 3D $\Rightarrow \ominus$ = theor. intersection	scale: 1:1	surface/color:	material: CS (technical requirements Fulterer)
prototype approval	drawn: 2022-11-24 EX	date:	description: FR 796-700 CS EN (inch) progressive-action full-extension drawerslide / bottom mount
	proven: 2024-01-16 RK		
		drawing number: CS# 796.700-GA.0000	
Fulterer AG & Co KG A-6890 Lustenau Fulterer AG CH-9430 St. Margrethen		replaces the edition:	
ind. changes			covered according to DIN ISO 16016