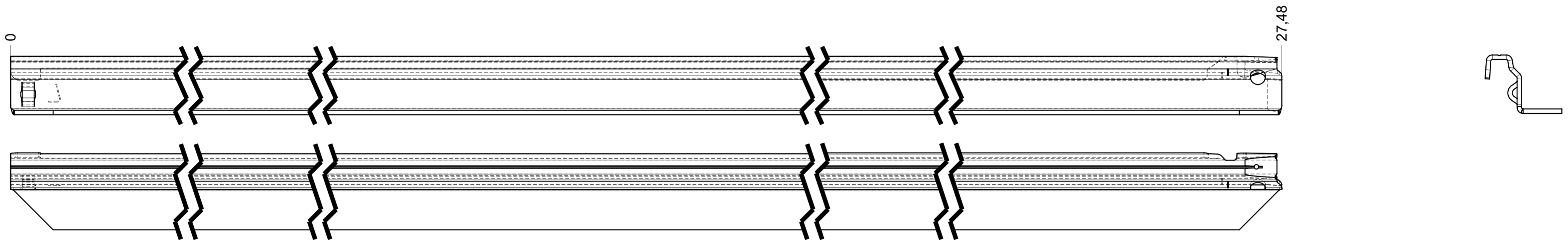
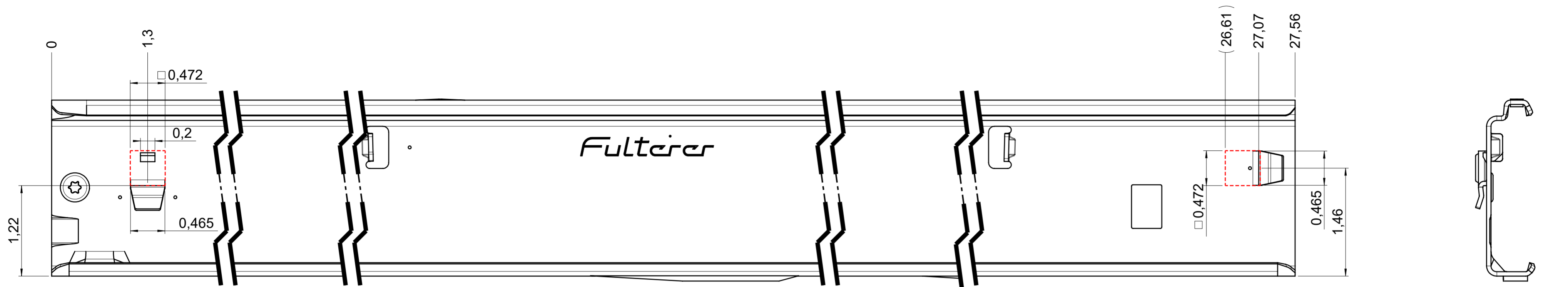
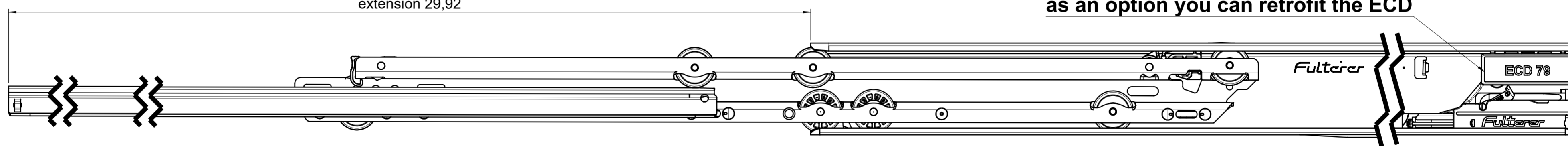


drawn on the left (mirrored on the right)

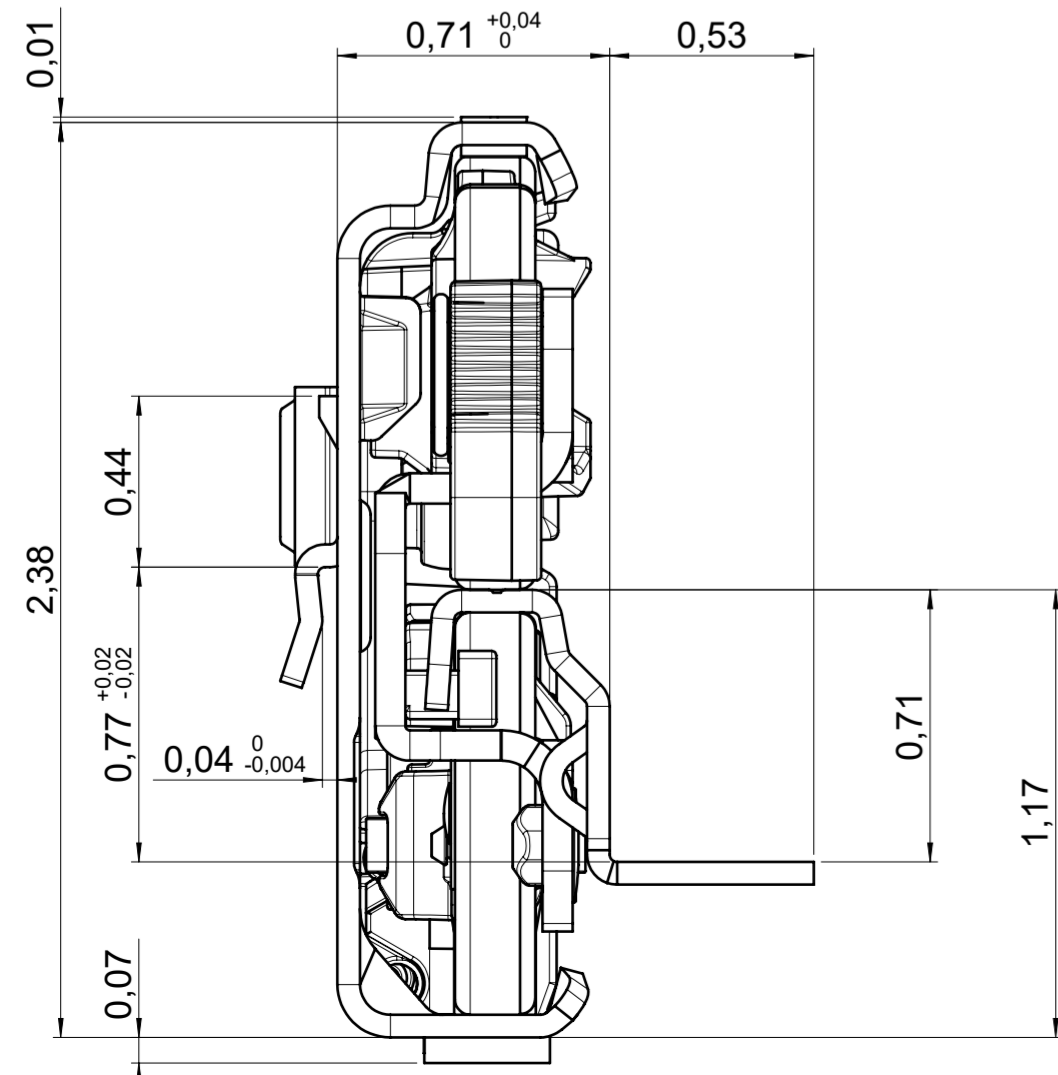
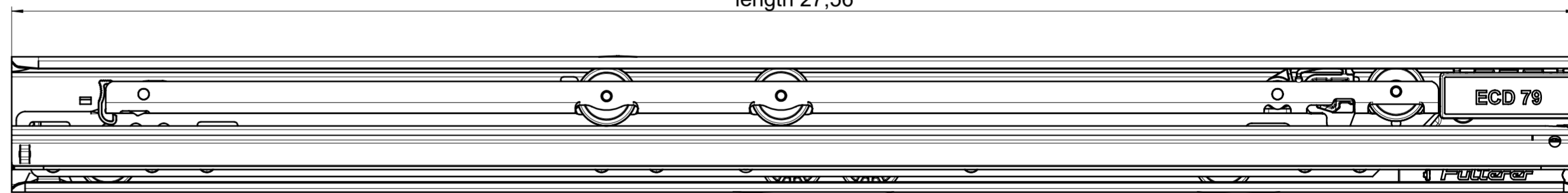


extension 29,92

as an option you can retrofit the ECD



length 27,56



final approval

customer name:

signed by:

date:

all dimensions in inch			
missing dimensions see 3D = theor. intersection	scale: 1:1	surface/color:	material: CS (technical requirements Fulterer)
prototype approval	drawn: 2024-01-15 RK	date: 2024-01-15	description: FR 796-700 CS EN (inch) progressive-action over-extension drawerslide / bottom mount
	proven: 2024-01-15 RK		
		drawing number: CS# 796.700-GA.L525	
Fulterer AG & Co KG A-6890 Lustenau Fulterer AG CH-9430 St. Margrethen		replaces the edition:	
ind. changes			covered according to DIN ISO 16016