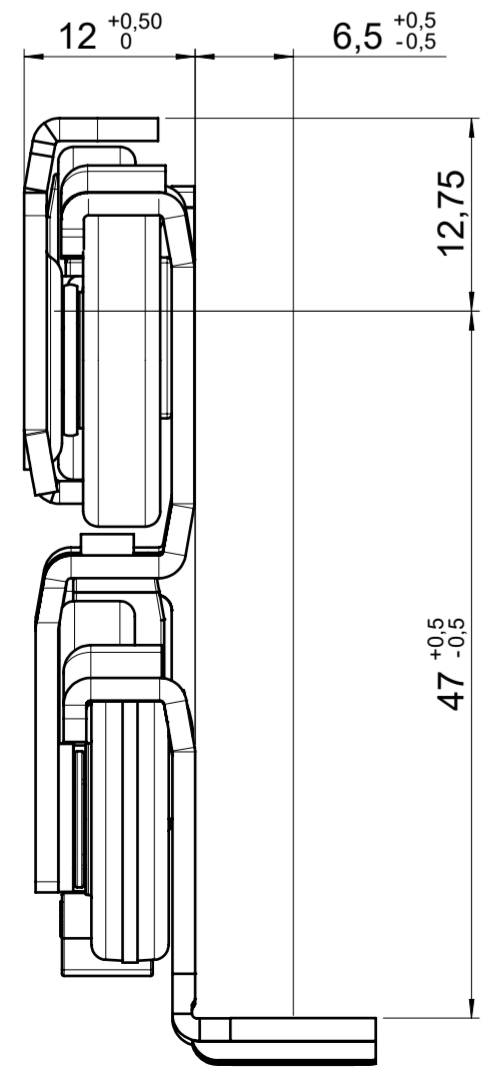
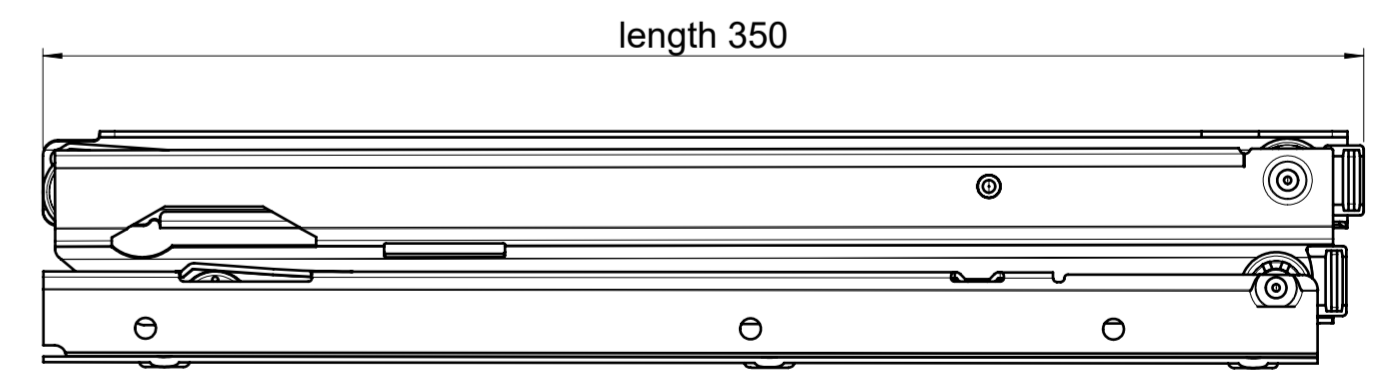
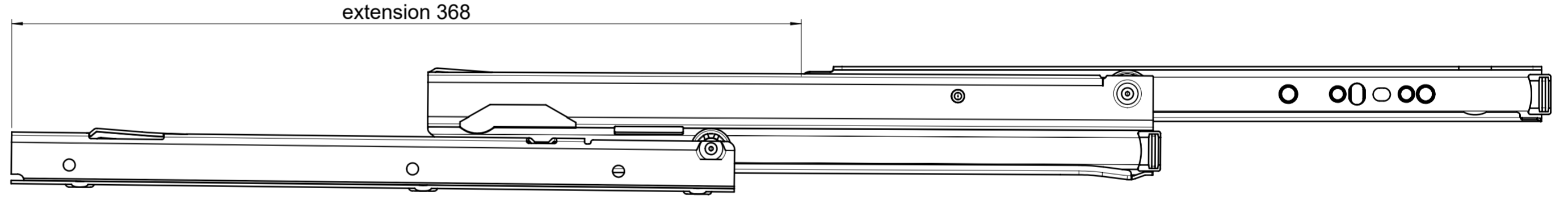
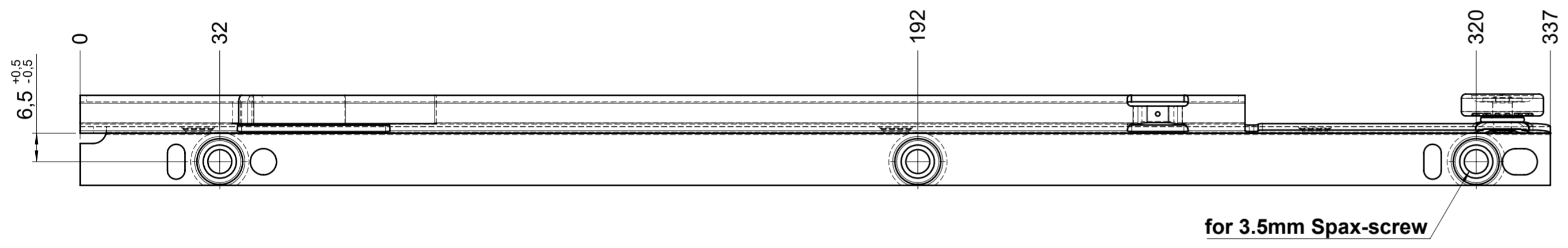
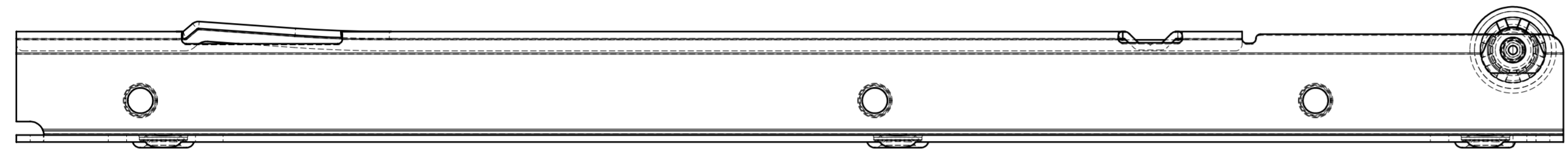
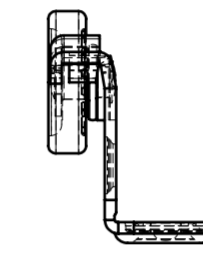
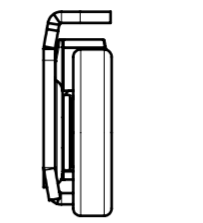
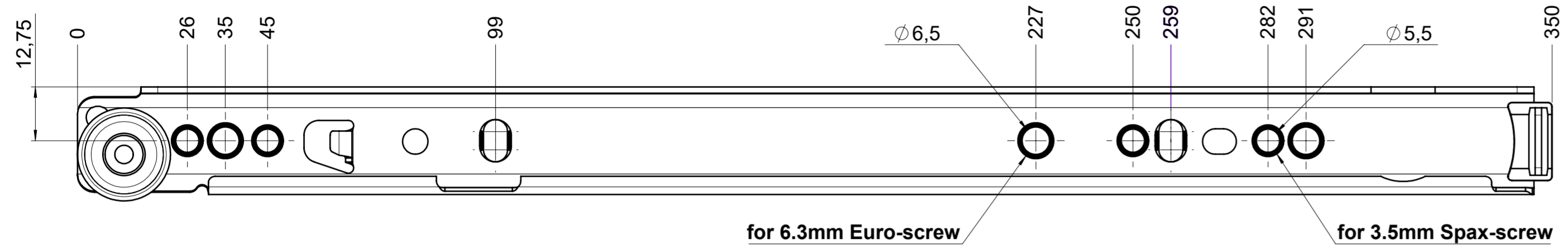


drawn left (right mirrorimage)

dimensions without coating / maximum coating allowed 0.1mm



**final approval**

customer name:

signed by:

date:

<b>all dimensions in mm</b>				DIN ISO 128-30 missing dimensions see 3D = theor. intersection		
This drawing remains our property and may not be multiplied neither be disclosed to third parties (§§1,3 and 5 from the copyright Act (UrhG)) covered according to DIN ISO 16016						
(k) (l) (m) (n) (o) (p) (q) (r) (s) (t)	scale:	1:1	surface:	material, semi finished parts: STEEL (technical requirements Fulterer)		
	drawn	02-01-2023	date	name	description: FR 6500 / 35 EN (mm) over-extension drawerside / bottom mount	
	proven	01-02-2023	pr	pr		
				drawing number: 6500.350-GA.0000		
	Fulterer AG & Co KG A-6890 Lustenau / Austria Fulterer AG CH-9430 St. Margrethen			replaces version date:		
ind.	changes	date	na.			