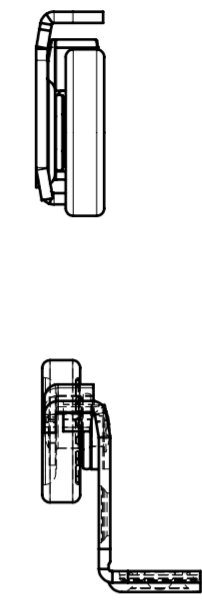
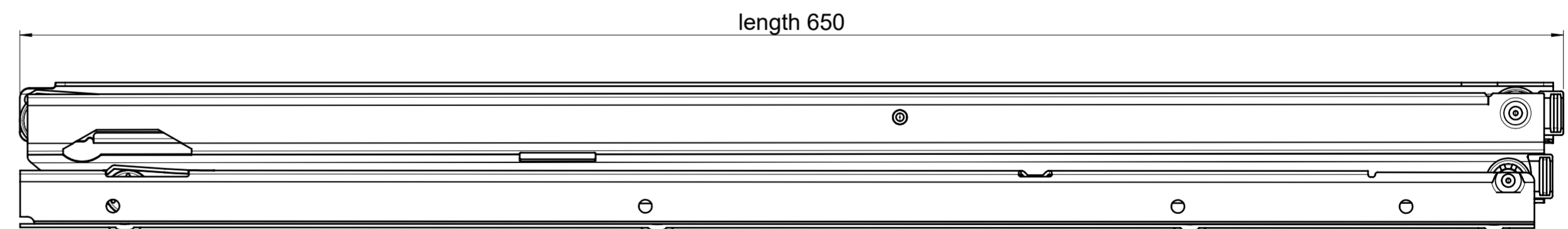
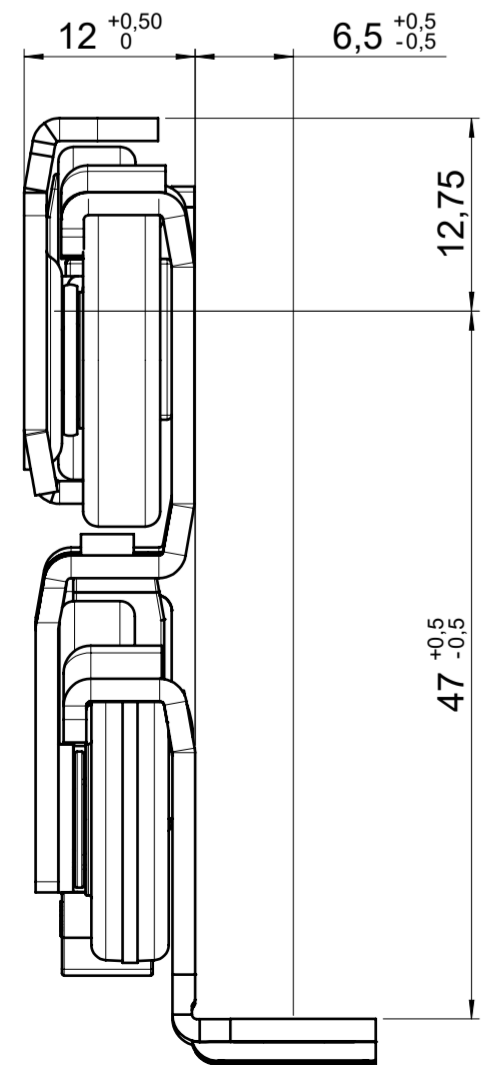
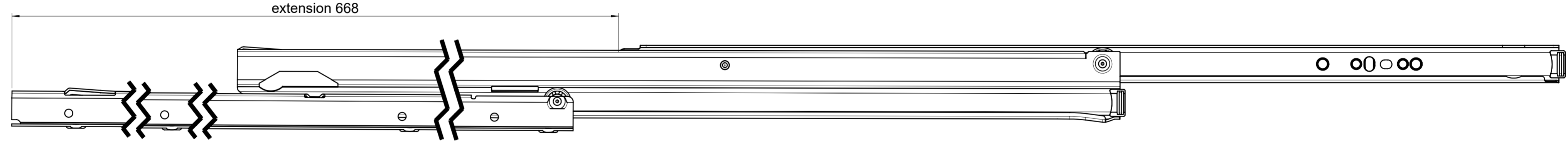
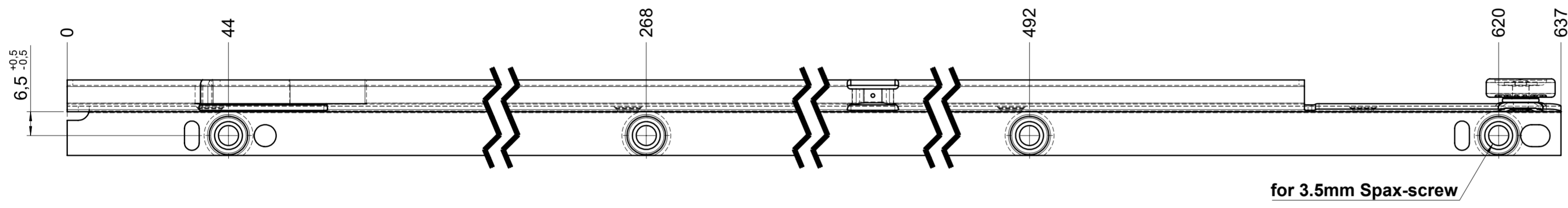
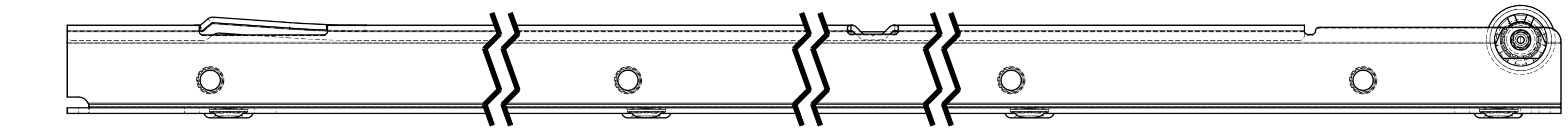
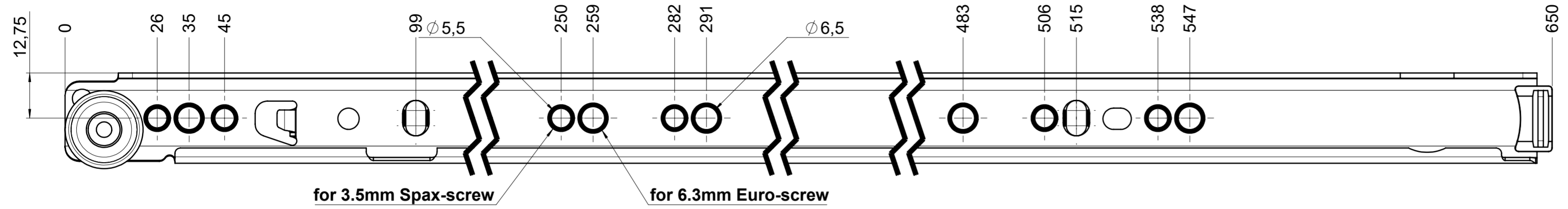


drawn left (right mirrorimage)

dimensions without coating / maximum coating allowed 0.1mm



final approval

customer name:

signed by:

date:

all dimensions in mm				DIN ISO 128-30 missing dimensions see 3D = theor. intersection	
This drawing remains our property and may not be multiplied neither be disclosed to third parties (§§1,3 and 5 from the copyright Act (UrhG)) covered according to DIN ISO 16016					
(k) (l) (m) (n) (o) (p) (q) (r) (s) (t)	scale:	1:1		surface:	material, semi finished parts: STEEL
	drawn	date	name	pr	(technical requirements Fulterer)
	proven	02-01-2023	pr	pr	description:
	Fulterer				FR 6500 / 65 EN (mm)
	Fulterer AG & Co KG A-6890 Lustenau / Austria Fulterer AG CH-9430 St. Margrethen				over-extension drawerside / bottom mount
ind.	changes	date	na.	drawing number:	6500.650-GA.0000
				replaces version date:	