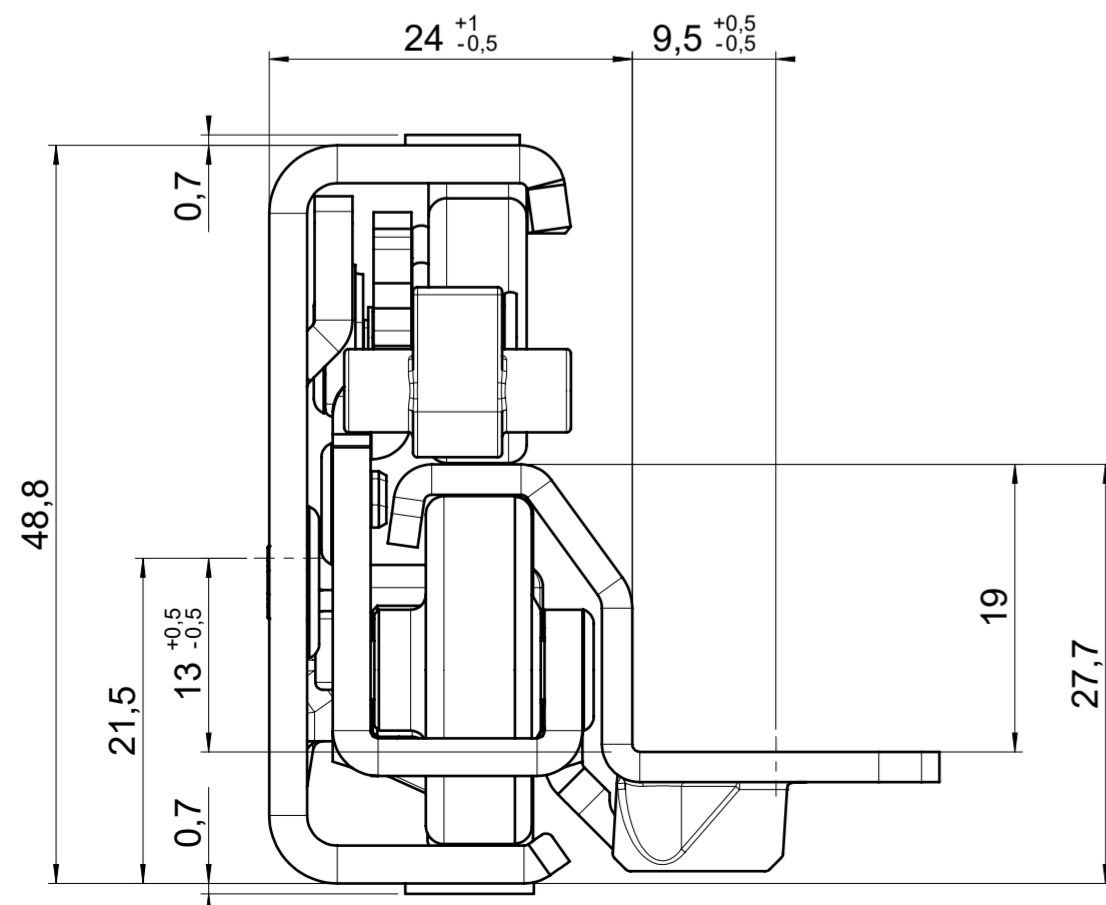
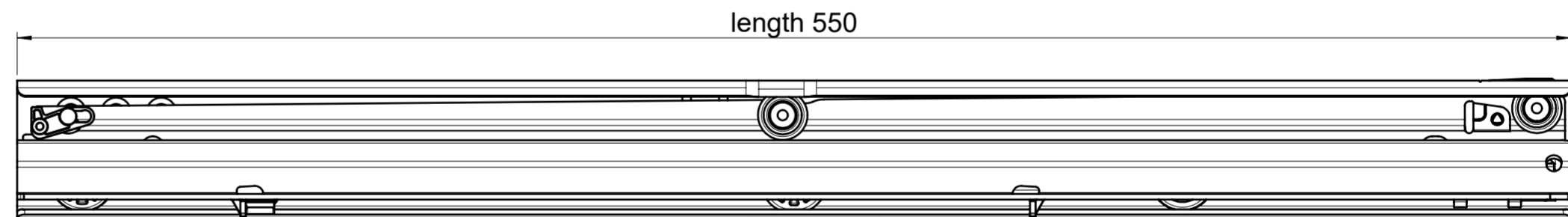
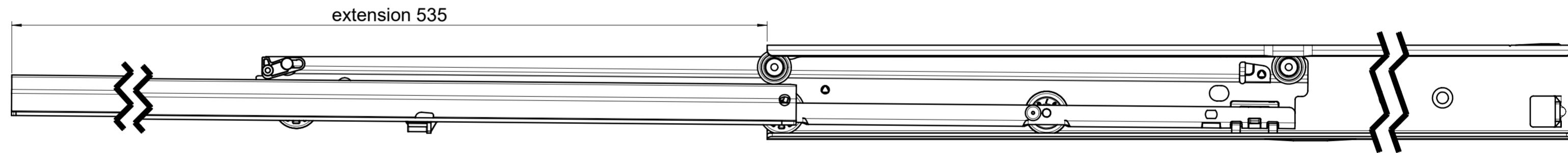
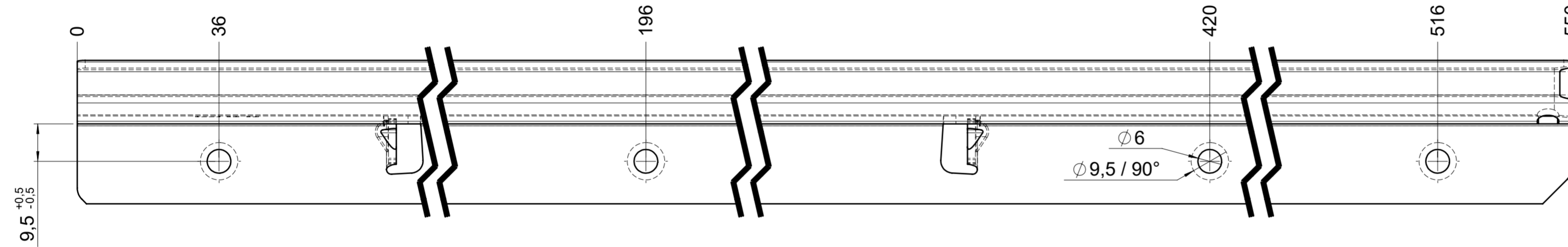
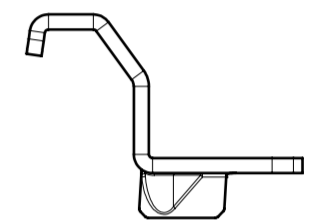
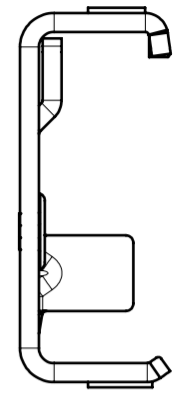
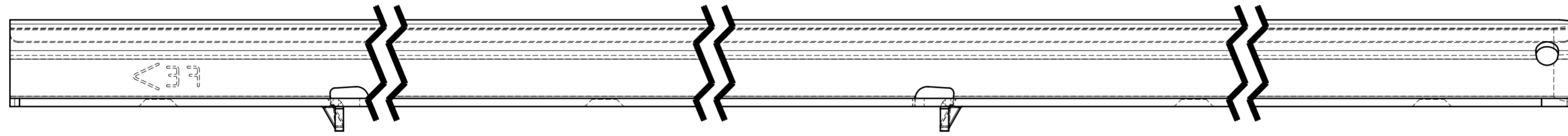
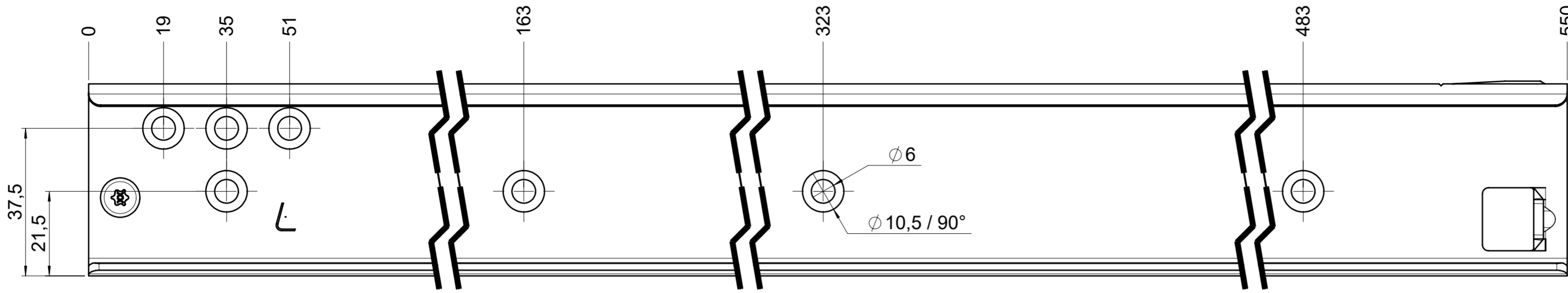


drawn left (right mirrorimage)

dimensions without coating / maximum coating allowed 0.1mm



final approval

customer name:

signed by:

date:

all dimensions in mm

DIN ISO 128-30
missing dimensions see 3D
 = theor. intersection

This drawing remains our property and may not be multiplied neither be disclosed to third parties (§§1,3 and 5 from the copyright Act (UrhG)) covered according to DIN ISO 16016				scale: 1:1	surface:	material, semi finished parts: steel (technical requirements Fulterer)	A2
(k)				date	name	description: FR 7075 / 55 EN (mm) progressive-action full-extension drawerslide / bottom mount	drawing number: 7075.550-GA.0000 replaces version date:
(l)				drawn 29-11-2022	BM		
(h)				proven 00-00-0000	00		
(g)				Fulterer		Fulterer AG & Co KG A-6890 Lustenau / Austria Fulterer AG CH-9430 St. Margrethen	
(f)							
(e)				changes	date	na.	
(d)							
(c)							
(b)							
(a)							
ind.							