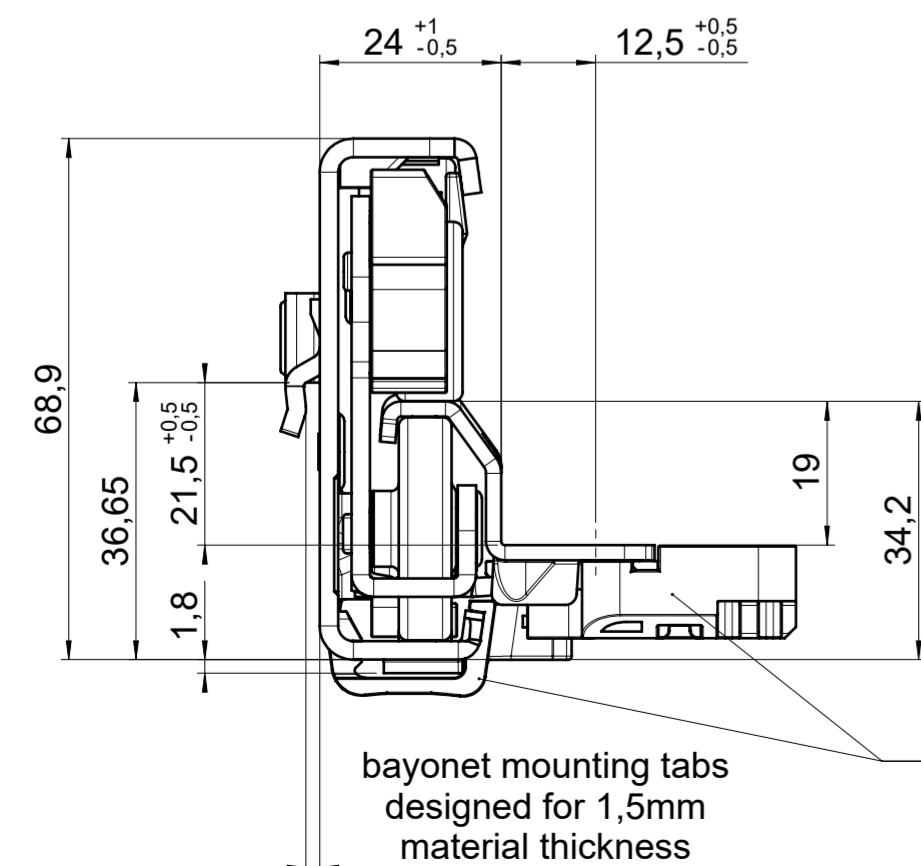
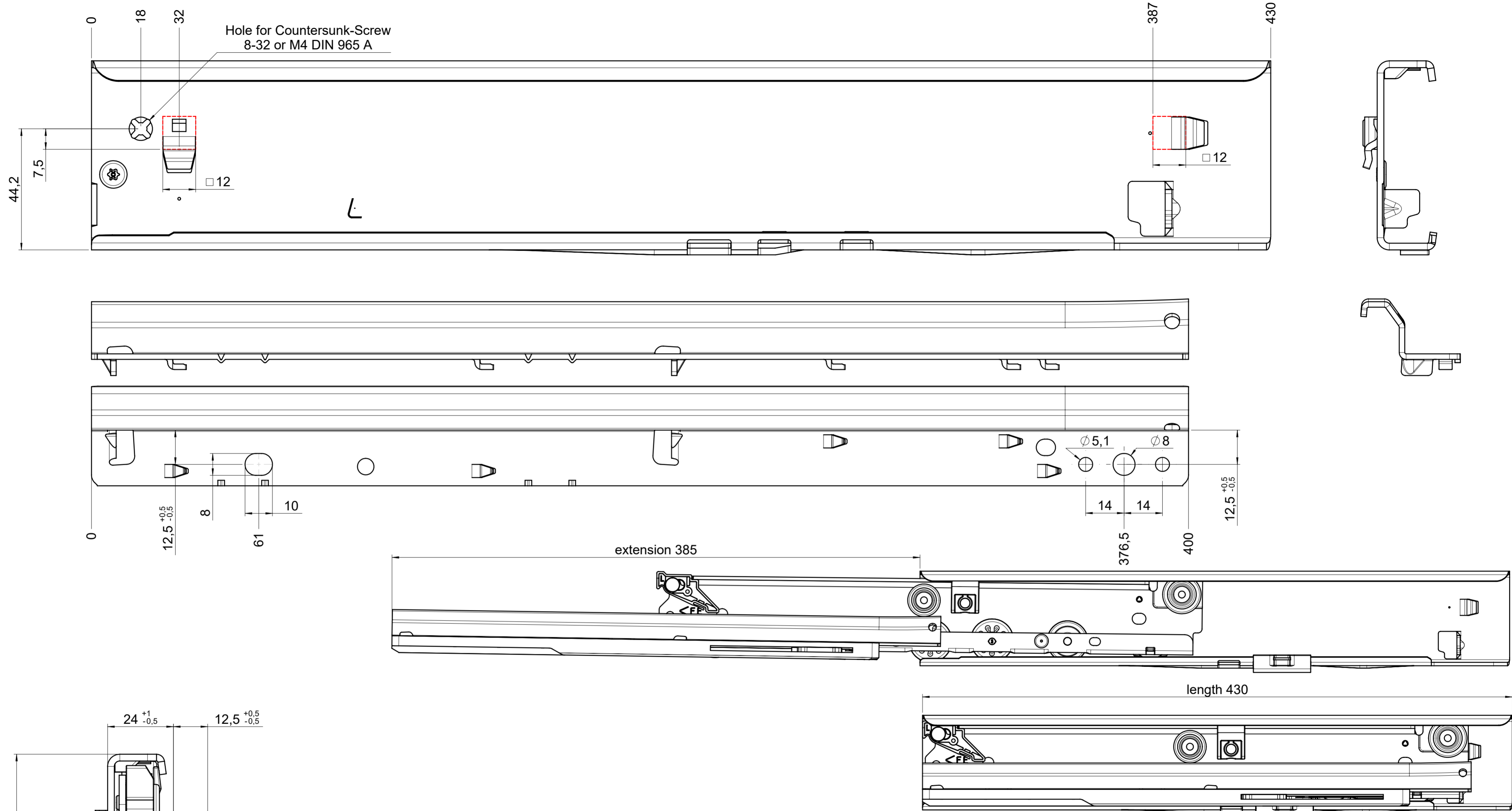


# 7180A.400-GA.U016

drawn left (right mirrorimage)

dimensions without coating / maximum coating allowed 0.1mm



bayonet mounting tabs designed for 1,5mm material thickness **ECD optional**

**final approval**

customer name:

signed by:

date:

**all dimensions in mm**

DIN ISO 128-30  
missing dimensions see 3D  
= theor. intersection

This drawing remains our property and may not be multiplied neither be disclosed to third parties (§§1,3 and 5 from the copyright Act (UrhG)) covered according to DIN ISO 16016				scale: 1:1	surface:	material, semi finished parts: steel (technical requirements Fulterer)	A2
(k)				date	name	description: FR 7180A / 40 EN (mm) progressive-action full-extension drawerslide / bottom mount	drawing number: <b>7180A.400-GA.U016</b> replaces version date:
(l)			drawn 27-03-2023	BM			
(h)			proven 00-00-0000	00			
(g)							
(f)							
(e)							
(d)							
(c)							
(b)							
(a)							
ind.	changes	date	na.				