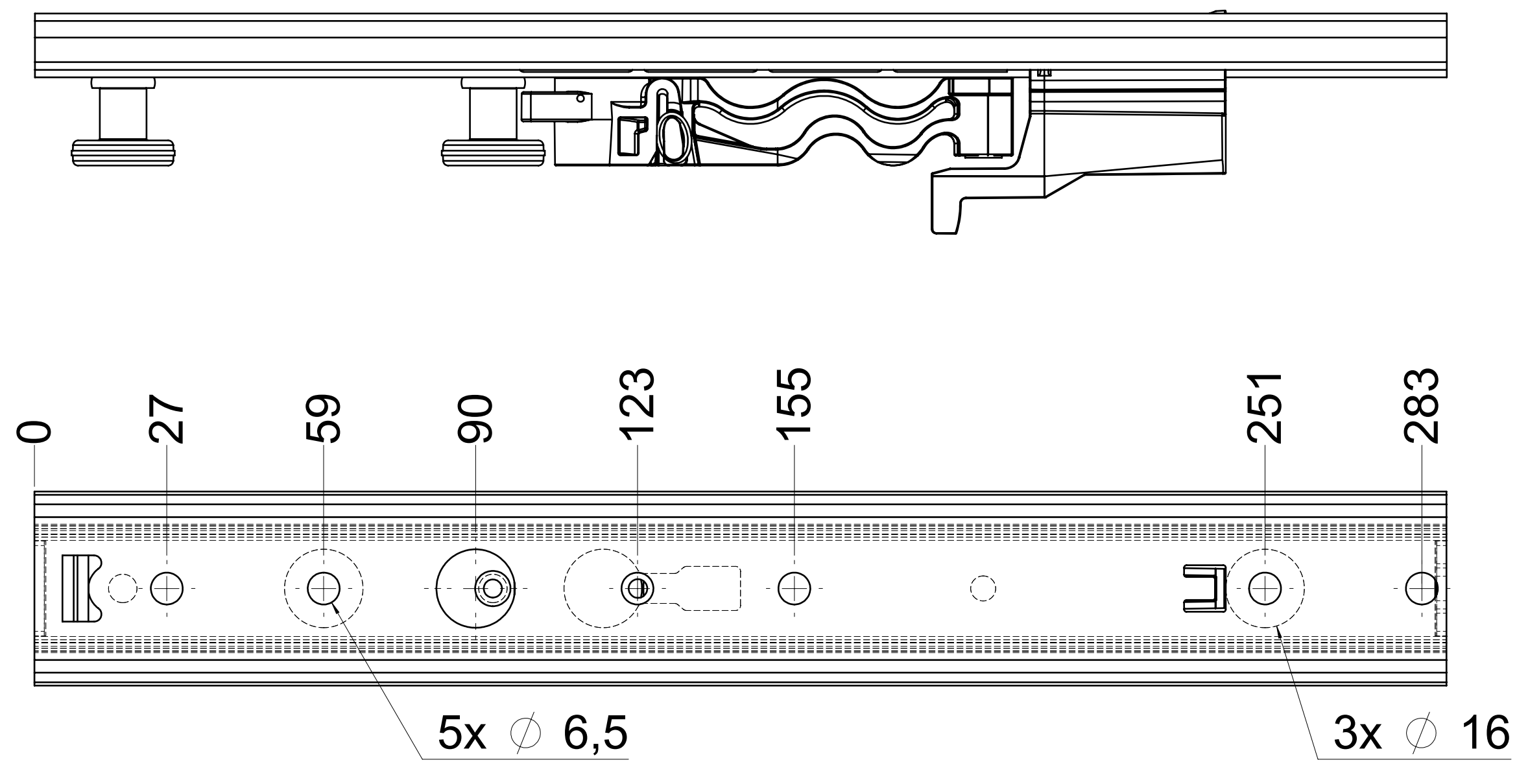


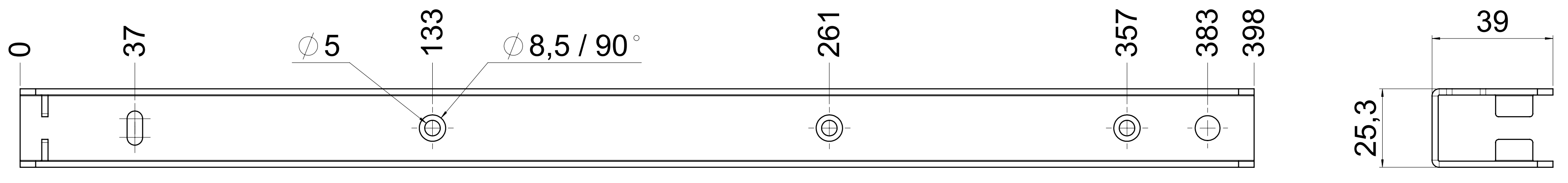
dimensions without coating / maximum coating allowed 0,1mm

X

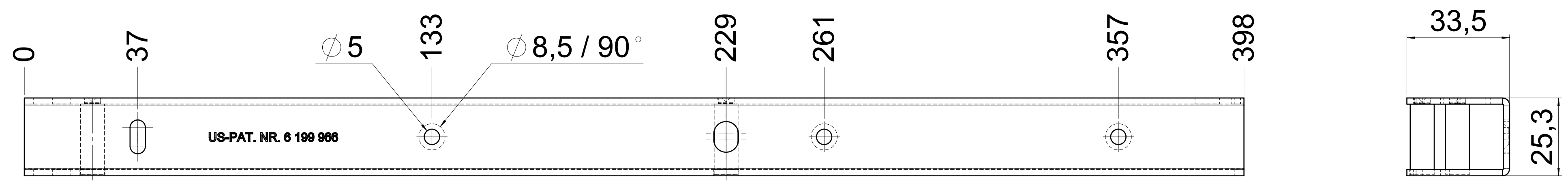
top guide cabinet profile



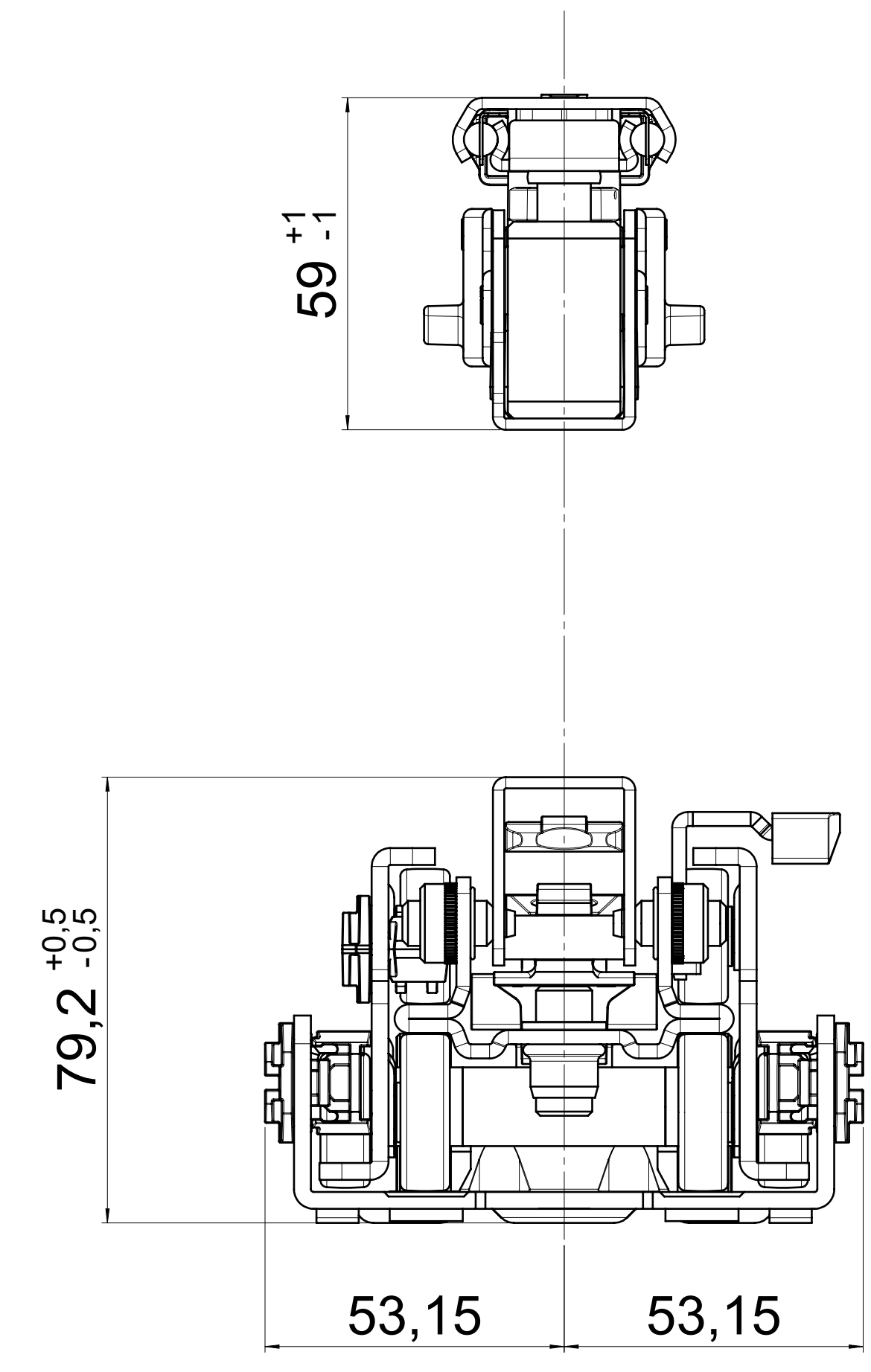
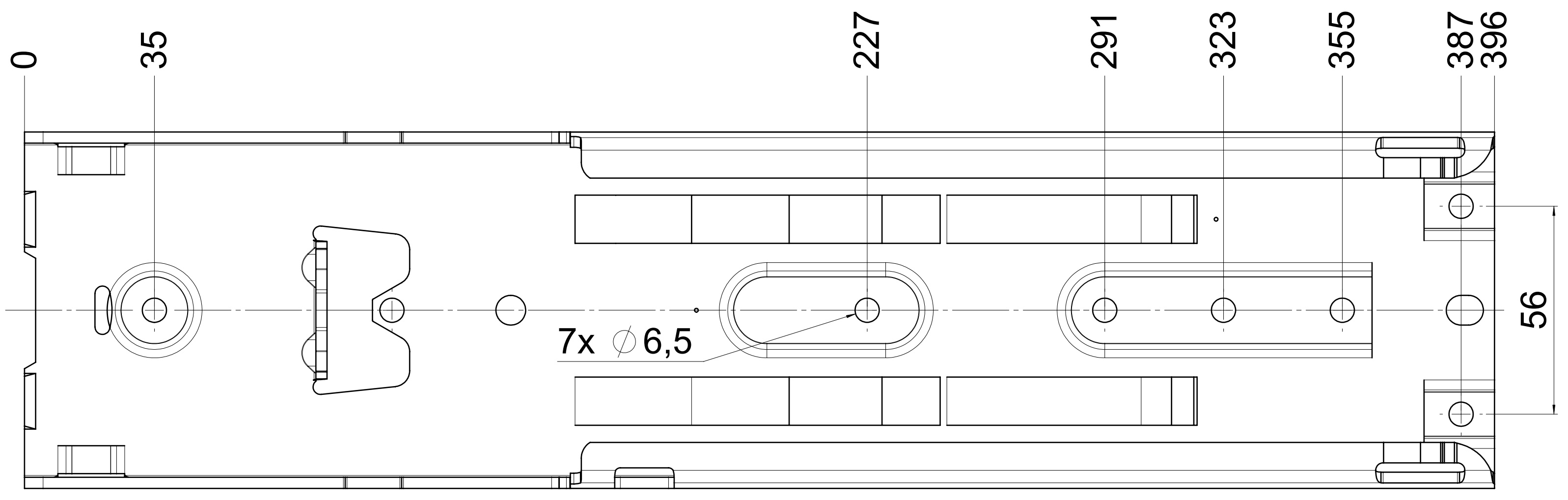
top guide drawer profile



bottom guide drawer profile



bottom guide cabinet profile



final approval

customer name: _____

signed by: _____

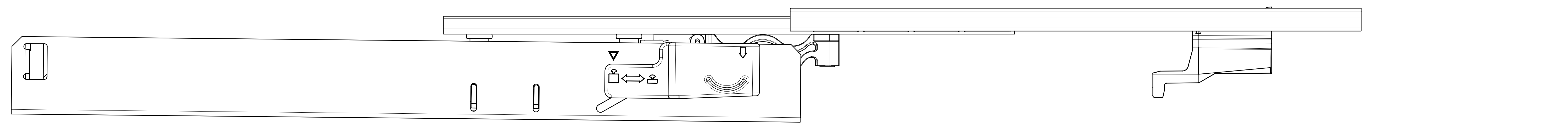
date: _____

= check dimension, next free check number

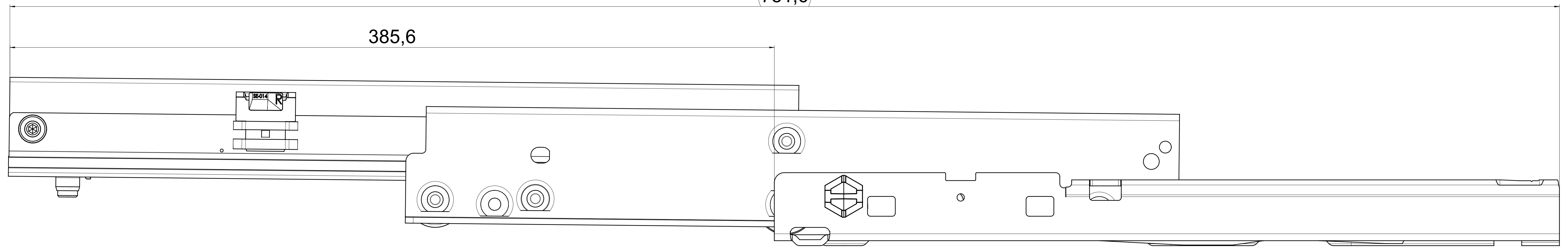
all dimensions in mm				DIN ISO 128-30 missing dimensions see 3D = theor. intersection	
This drawing remains our property and may not be multiplied neither be disclosed to third parties (§§1,3 and 5 from the copyright Act (UrhG)) covered according to DIN ISO 16015				material: semi finished parts: AO	
scale:	1:1	surface:	steel	(technical requirements Filterer)	
drawn:	07-12-2022	date:	GB	description: FR 771A / 40 - EN (mm)	
proven:	00-00-0000	name:	00	progressive-action full-extension drawerslide / bottom mount	
Filterer AG & Co KG A-6800 Lustenau / Austria			drawing number: 771A.400-GA.0000		
C14-8430 St. Margarethen			replaces version 03/16		
changes:	date:	na:	includes:		

dimensions without coating / maximum coating allowed 0.1mm

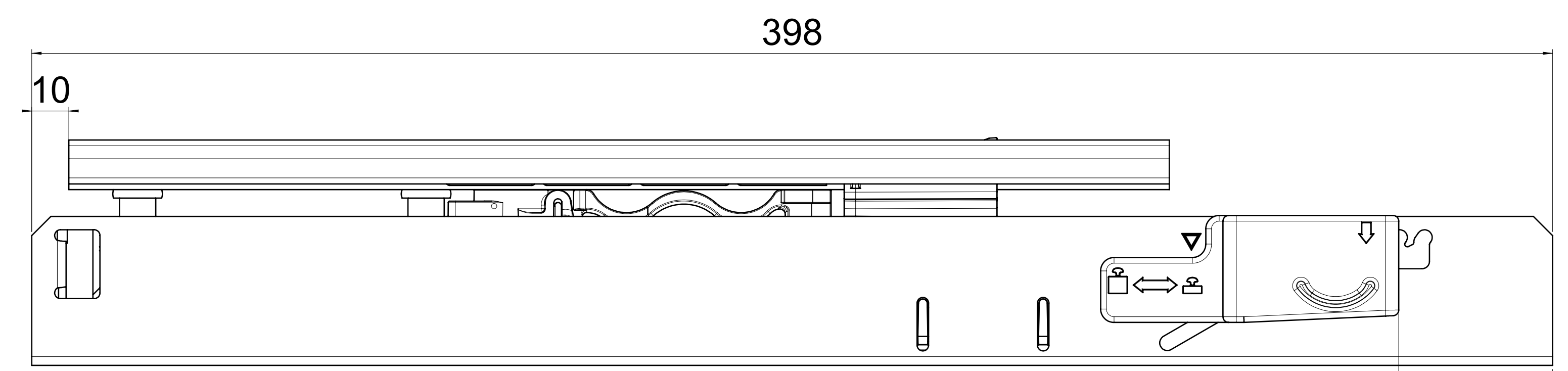
X



781,6



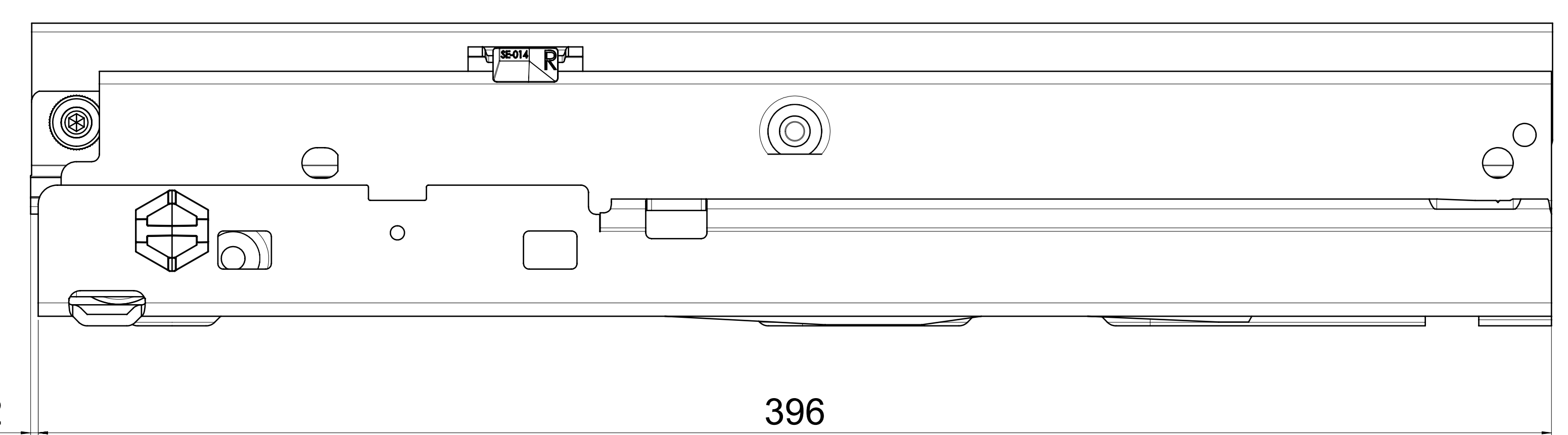
385,6



398

10

min. 21
max. 40



396

2

final approval

customer name: _____

signed by: _____

date: _____

all dimensions in mm		DIN ISO 128-30 missing dimensions see 3D = theor. intersection	
This drawing remains our property and may not be multiplied neither be disclosed to third parties (§§1,3 and 5 from the copyright Act (UrhG)) covered according to DIN ISO 15015		scale: 1:1	surface: steel (technical requirements Filterer)
drawn 07-12-2022	name GB	material: semi finished parts	AO
proven 00-00-0000	00	description: FR 771A / 40 - EN (mm) progressive-action full-extension drawerslide / bottom mount	
		drawing number: 771A.400-GA.0000	
Filterer AG & Co KG A-6800 Lustenau / Austria Filterer AG CH-8430 St. Margrethen		replaces version 0416:	
changes	date	na.	