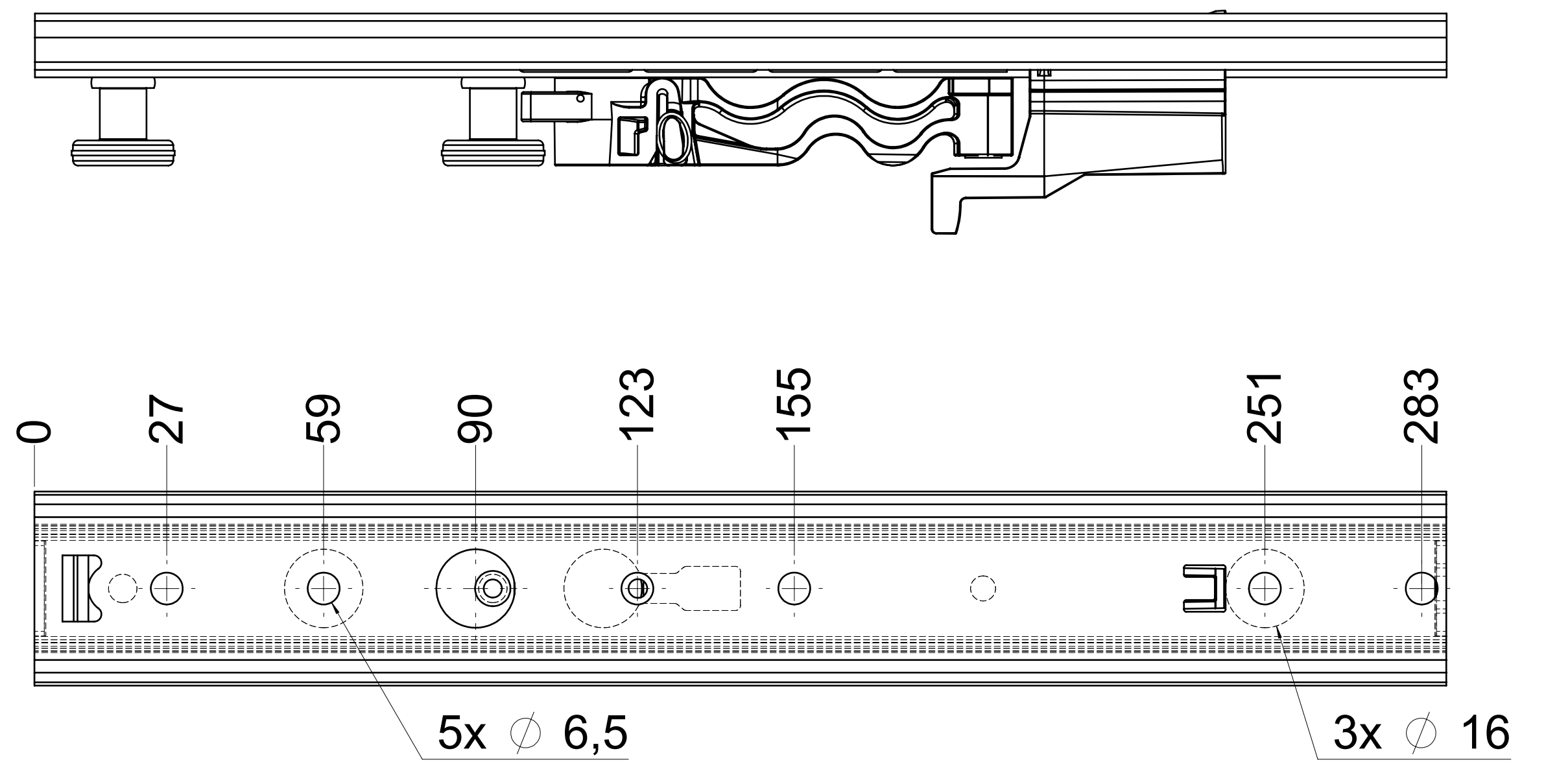


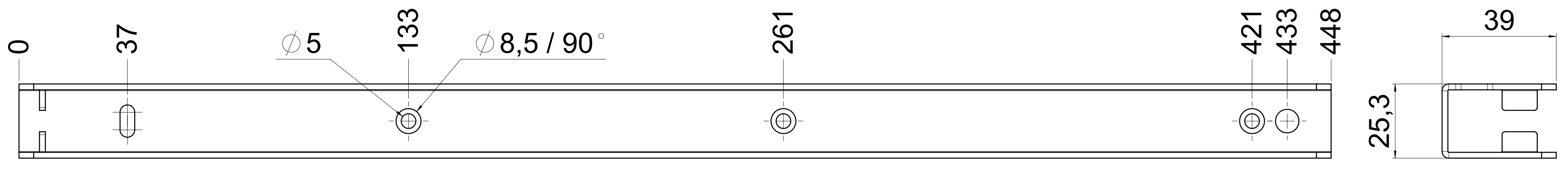
dimensions without coating / maximum coating allowed 0,1mm

X

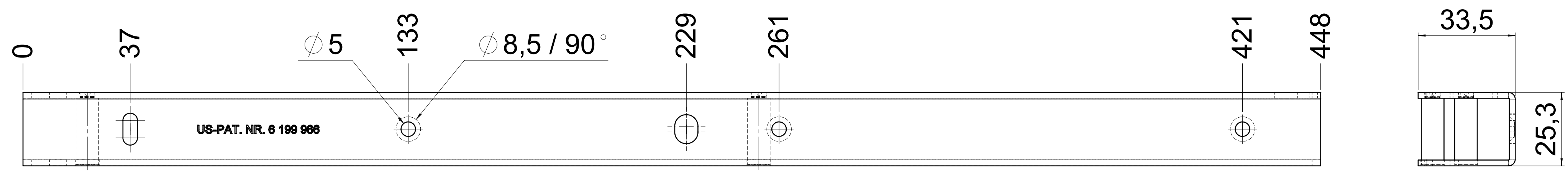
top guide cabinet profile



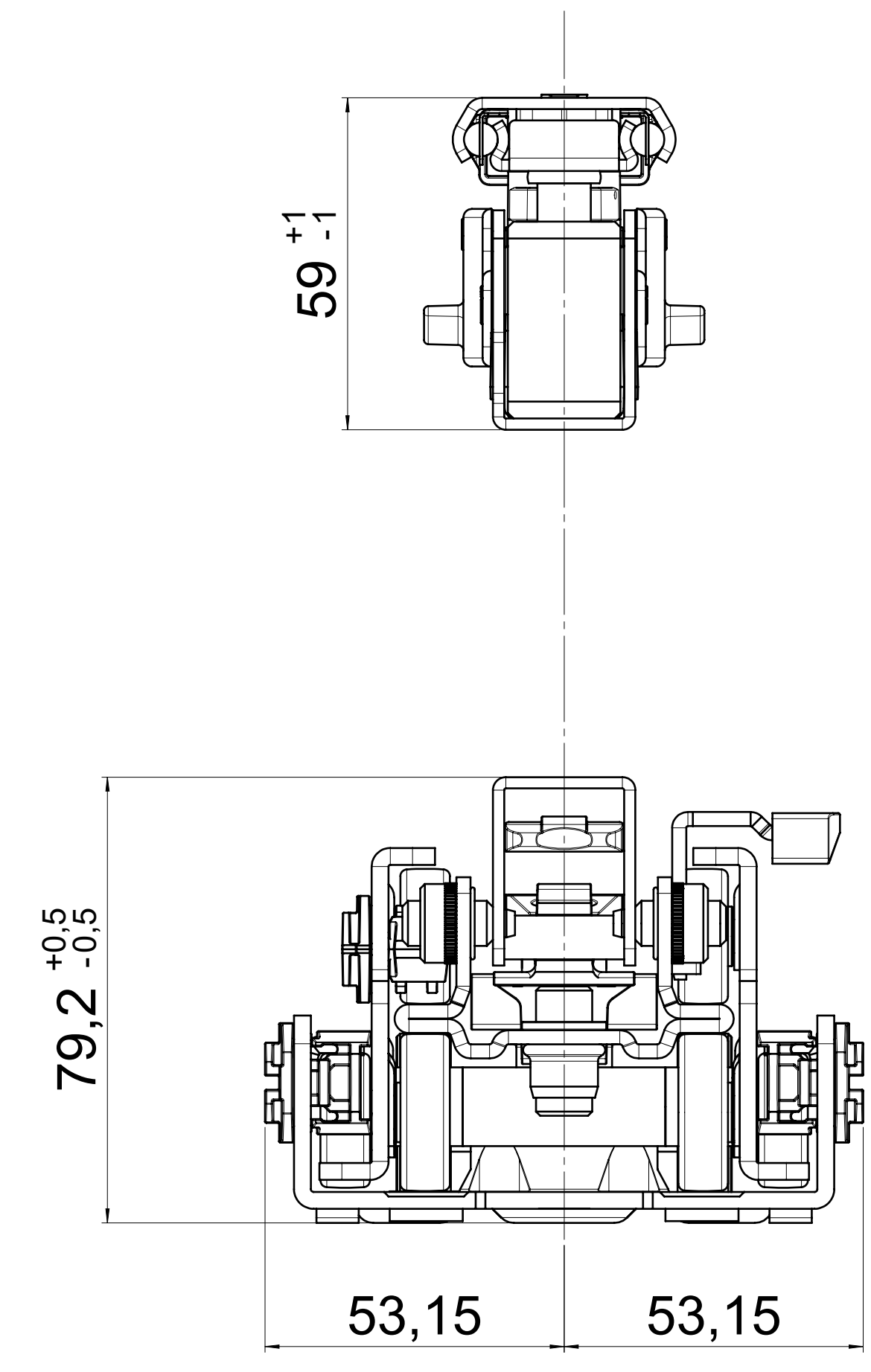
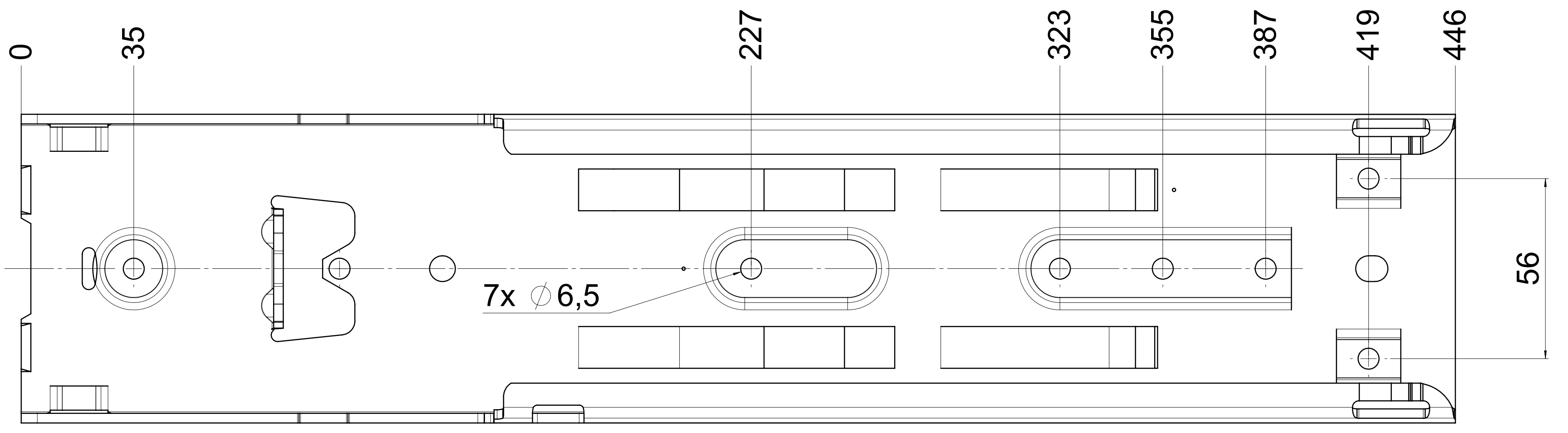
top guide drawer profile



bottom guide drawer profile



bottom guide cabinet profile



**final approval**

customer name:

signed by:

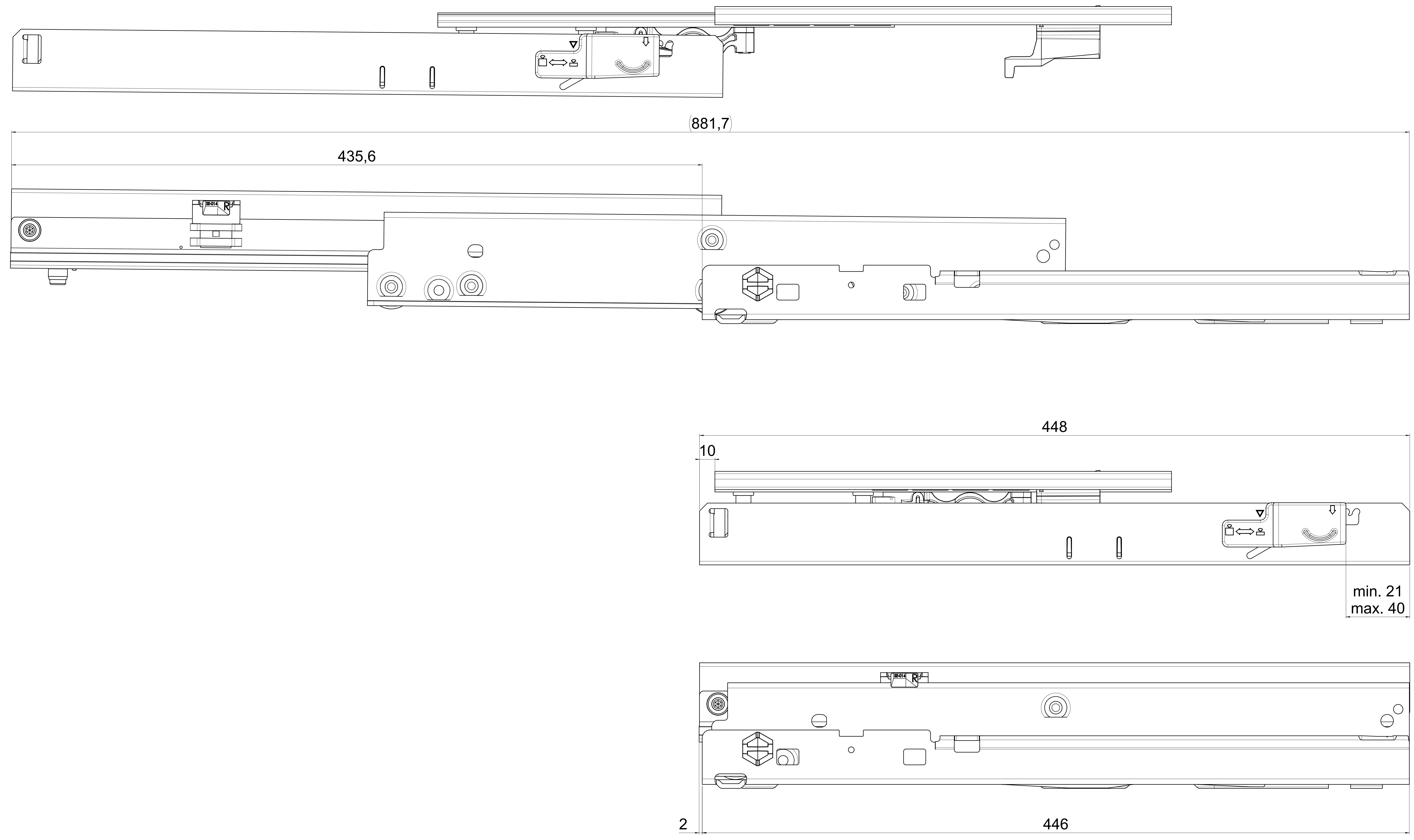
date:

= check dimension, next free check number

all dimensions in mm				DIN ISO 128-30 missing dimensions see 3D = theor. intersection	
This drawing remains our property and may not be disclosed to third parties (§§1,3 and 5 from the copyright Act (UrhG)). covered according to DIN ISO 16015				material: semi finished parts: <b>AO</b>	
scale:	1:1	surface:	steel	(technical requirements Filterer)	
drawn:	07-12-2022	name:	GB	description: FR 771A / 45 - EN (mm) progressive-action full-extension drawerslide / bottom mount	
proven:	00-00-0000	no.:	00	drawing number: <b>771A.450-GA.0000</b> replaces version 03/02:	
				Filterer AG & Co KG A-6890 Lustenau / Austria C14-8430 St. Margarethen Inhaber: Helmut Inhaber:	
changes:	date:	no.:		Drawing date: 01. Jänner 2023 16:11:34 Inhaber: Helmut	

dimensions without coating / maximum coating allowed 0.1mm

X



⚠ = check dimension , next free check number

**final approval**

customer name: \_\_\_\_\_

signed by: \_\_\_\_\_

date: \_\_\_\_\_

<p><b>all dimensions in mm</b></p> <p>This drawing remains our property and may not be disclosed to third parties (§§1,3 and 5 from the copyright Act (UrhG)) covered according to DIN ISO 15016</p>		<p>scale: 1:1</p>		<p>surface: steel (technical requirements Filterer)</p>		<p>material: semi finished parts: AO</p>	
<p>drawn 07-12-2022 GB</p>		<p>date name</p>		<p>description: FR 771A / 45 EN (mm) progressive-action full-extension drawerslide / bottom mount</p>		<p>drawing number: 771A.450-GA.0000</p>	
<p>proven 00-00-0000 00</p>		<p>date name</p>		<p>Filterer AG &amp; Co KG A-6800 Lustenau / Austria</p>		<p>replaces version 03/02</p>	
<p>changes</p>		<p>date na.</p>		<p>Filterer AG C14-8430 St. Margarethen</p>		<p>replaces version 03/02</p>	