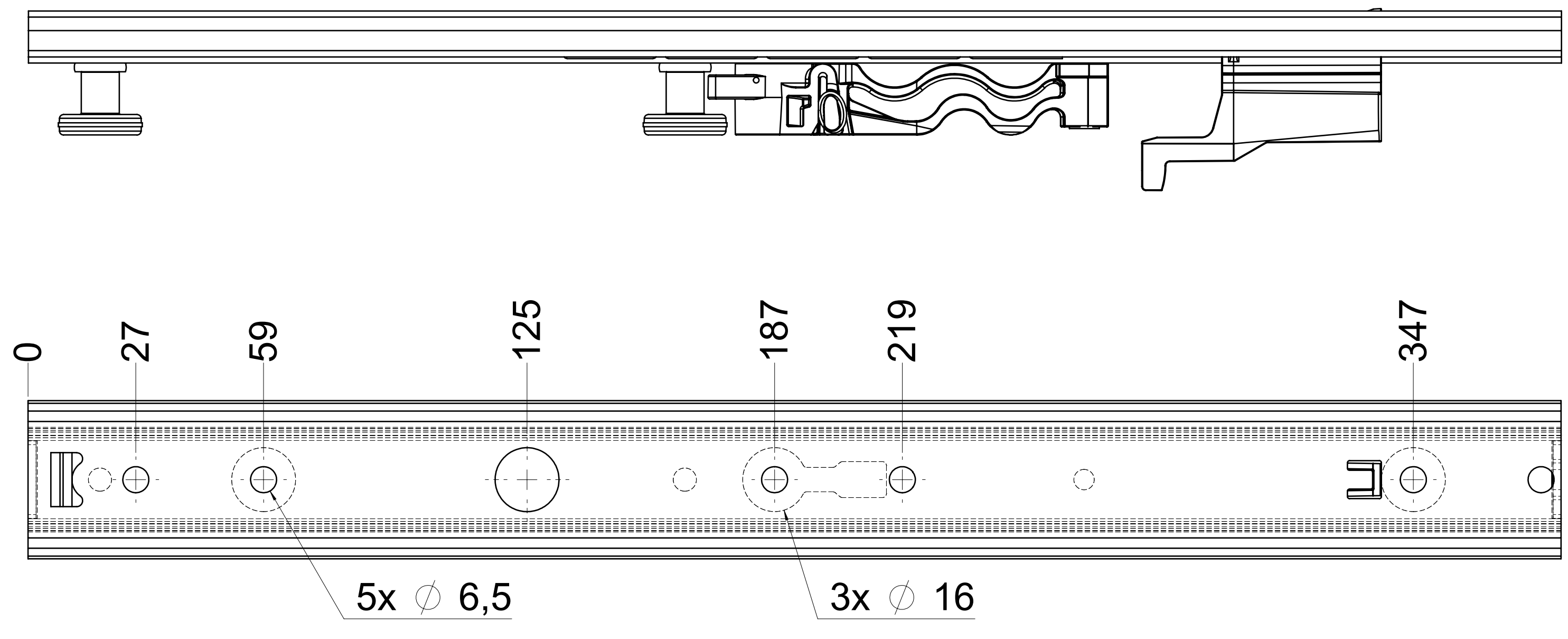


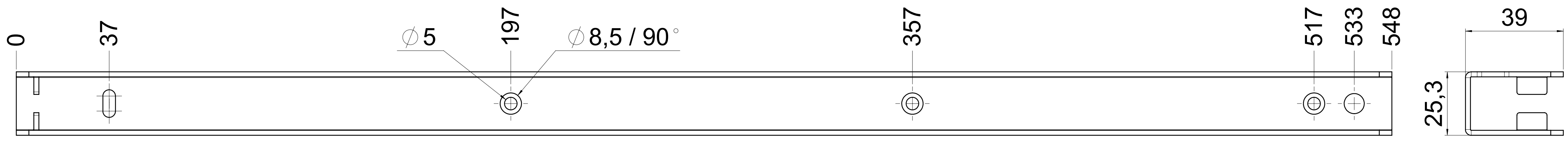
dimensions without coating / maximum coating allowed 0.1mm

X

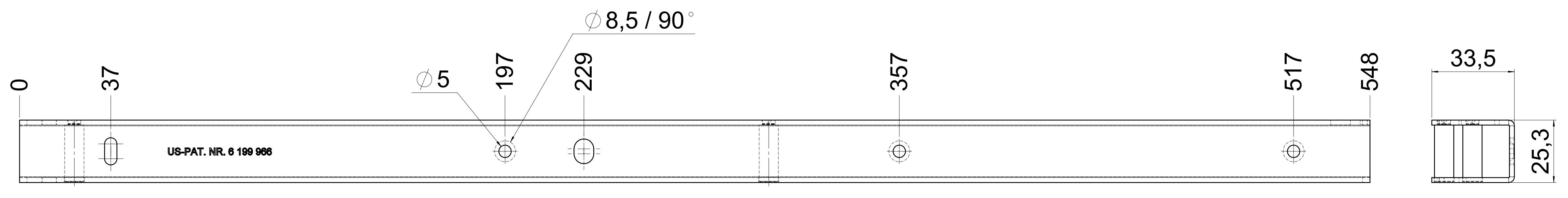
top guide cabinet profile



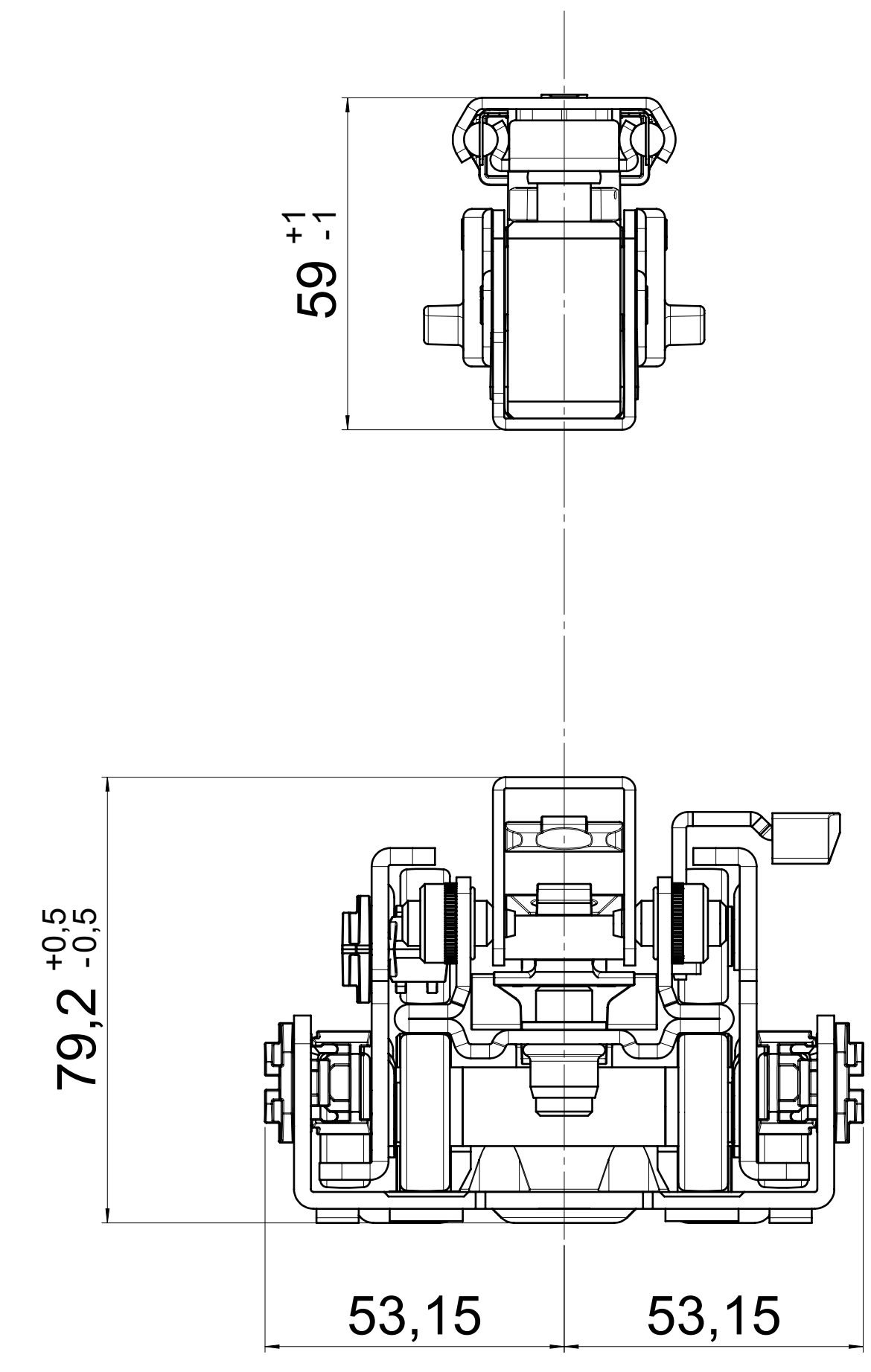
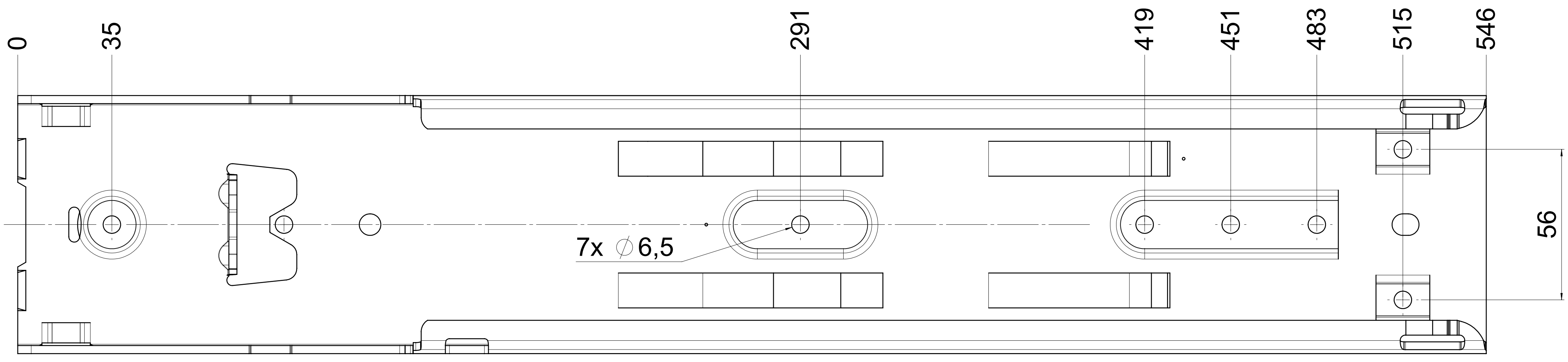
top guide drawer profile



bottom guide drawer profile



bottom guide cabinet profile



final approval

customer name: _____

signed by: _____

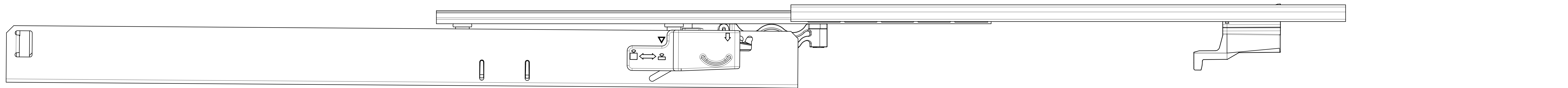
date: _____

<p>all dimensions in mm</p> <p>This drawing remains our property and may not be multiplied neither be disclosed to third parties (§§1,3 and 5 from the copyright Act (UrhG)). covered according to DIN ISO 16015</p>		<p>DIN ISO 128-30 missing dimensions see 3D = theor. intersection</p>	
scale:	1:1	surface:	steel (technical requirements Filterer)
material:	semi finished parts	description:	FR 771A / 55 EN (mm) progressive-action full-extension drawerslide / bottom mount
drawn:	07-12-2022	name:	GB
proven:	00-00-0000	date:	00
<p>Filterer</p> <p>Filterer AG & Co KG A-6800 Lustenau / Austria CH-8430 St. Margrethen</p>		<p>drawing number: 771A.550-GA.0000 replaces version 0416:</p>	
changes:	date:	na:	na:

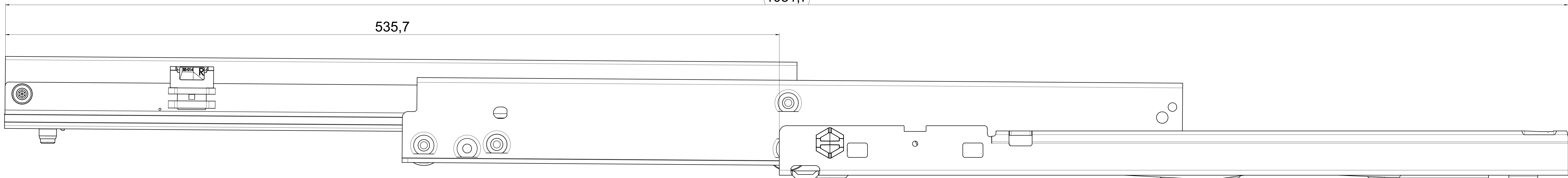
☒ = check dimension, next free check number ☒

dimensions without coating / maximum coating allowed 0.1mm

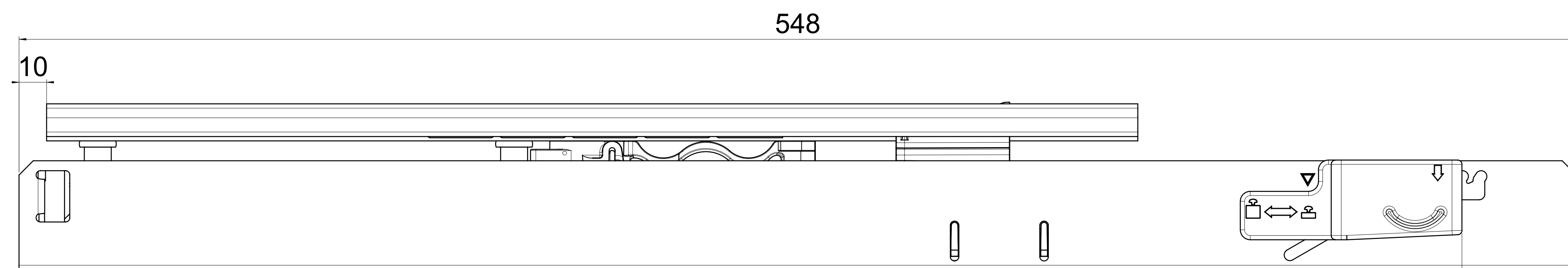
X



1081,7



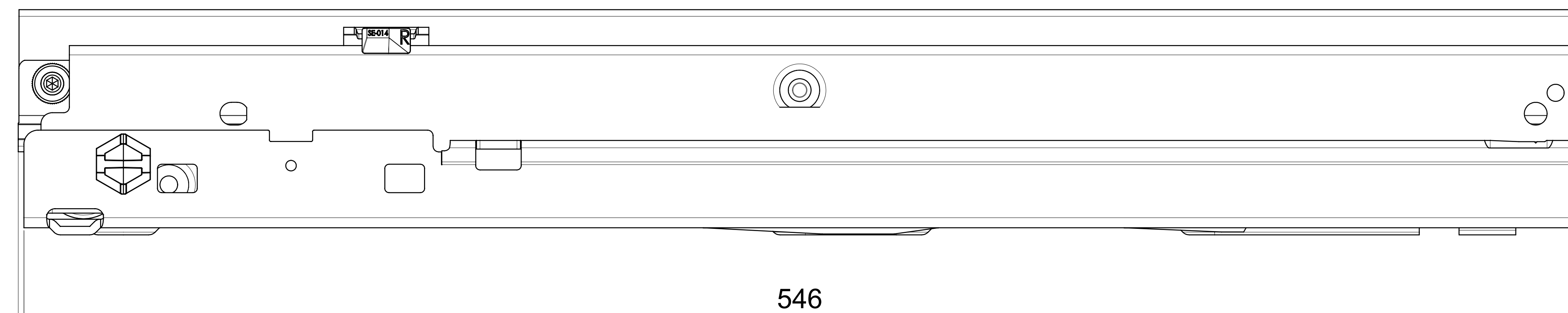
535,7



548

10

min. 21
max. 40



2

546

⚠ = check dimension , next free check number ⚠

final approval

customer name: _____

signed by: _____

date: _____

all dimensions in mm		DIN ISO 128-30 missing dimensions see 3D = theor. intersection	
This drawing remains our property and may not be disclosed to third parties (§§1,3 and 5 from the copyright Act (UrhG)) covered according to DIN ISO 16016		scale:	surface:
1:1	steel	material, semi finished parts: AO	
drawn 07-12-2022	GB	description:	
proven 00-00-0000	00	FR 771A / 55 - EN (mm) progressive-action full-extension drawerslide / bottom mount	
		drawing number:	
Filterer AG & Co KG A-6800 Lustenau / Austria		771A.550-GA.0000	
C4-8430 St. Margrethen		replaces version 04/16:	
changes	date	na.	incl. date