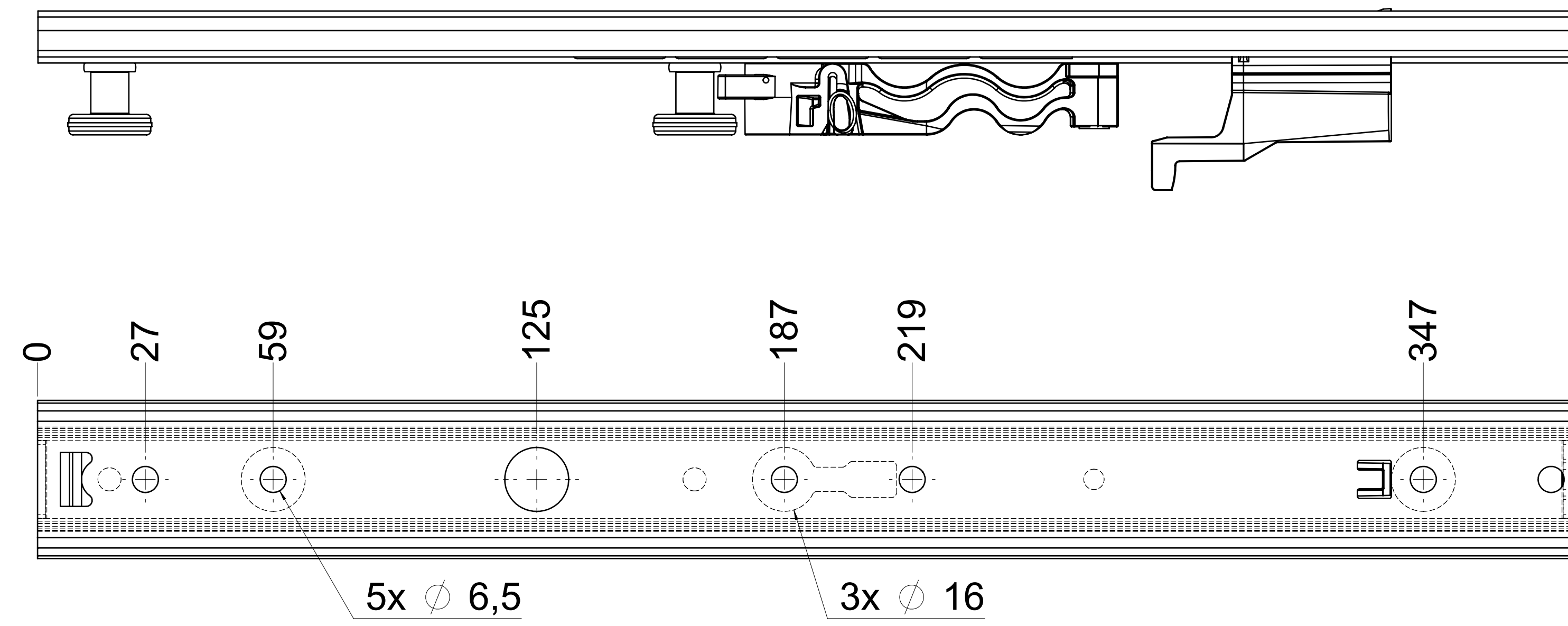
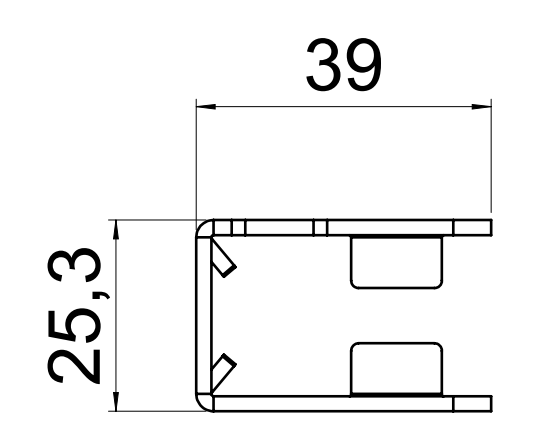
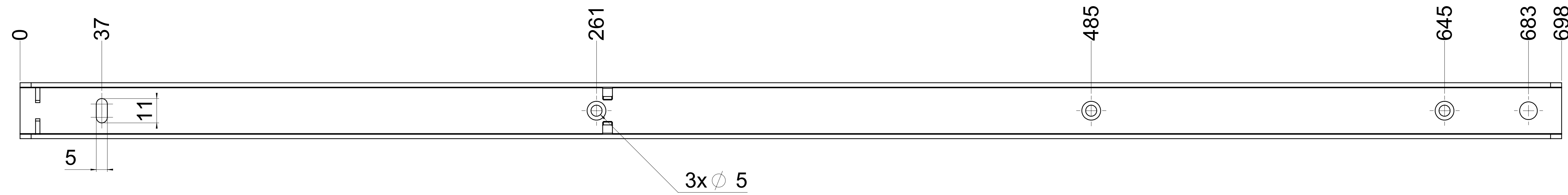


dimensions without coating / maximum coating allowed 0.1mm

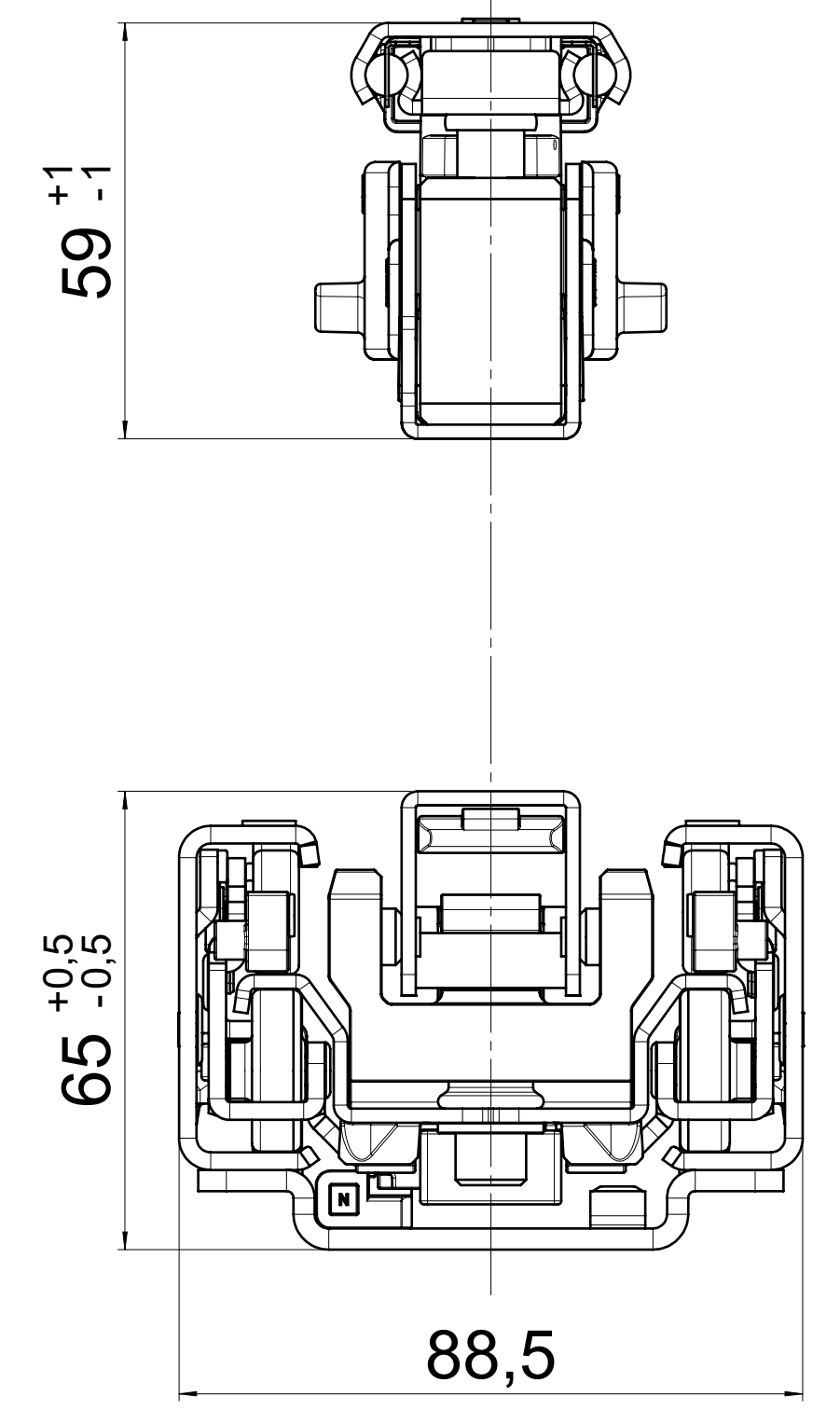
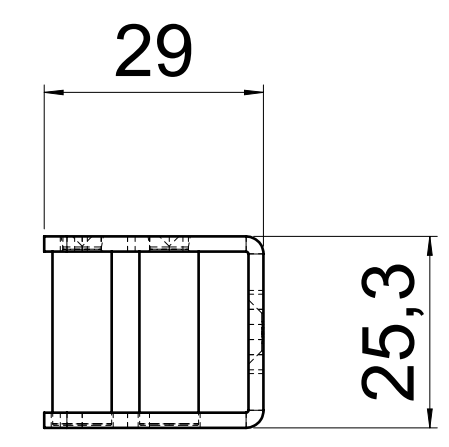
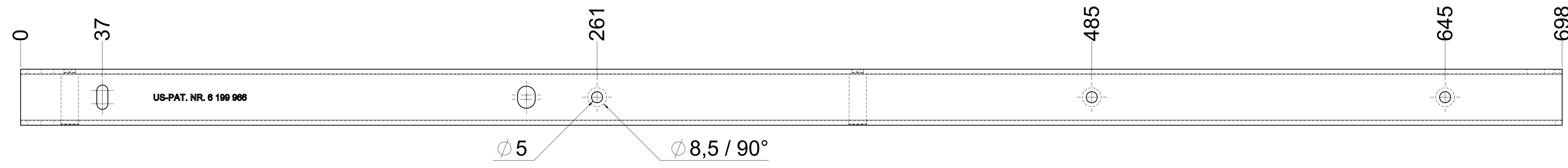
top guide cabinet profile



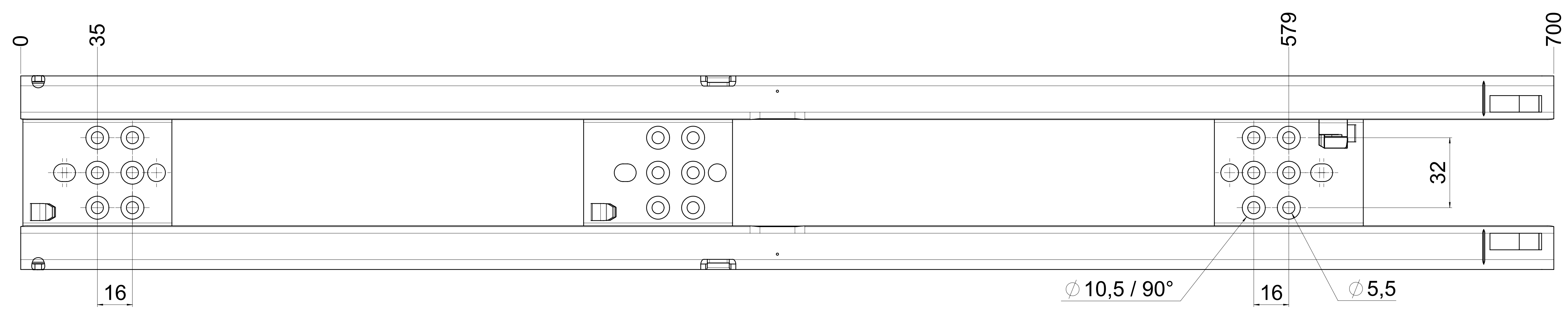
top guide drawer profile



bottom guide drawer profile



bottom guide cabinet profile



final approval

customer name:

signed by:

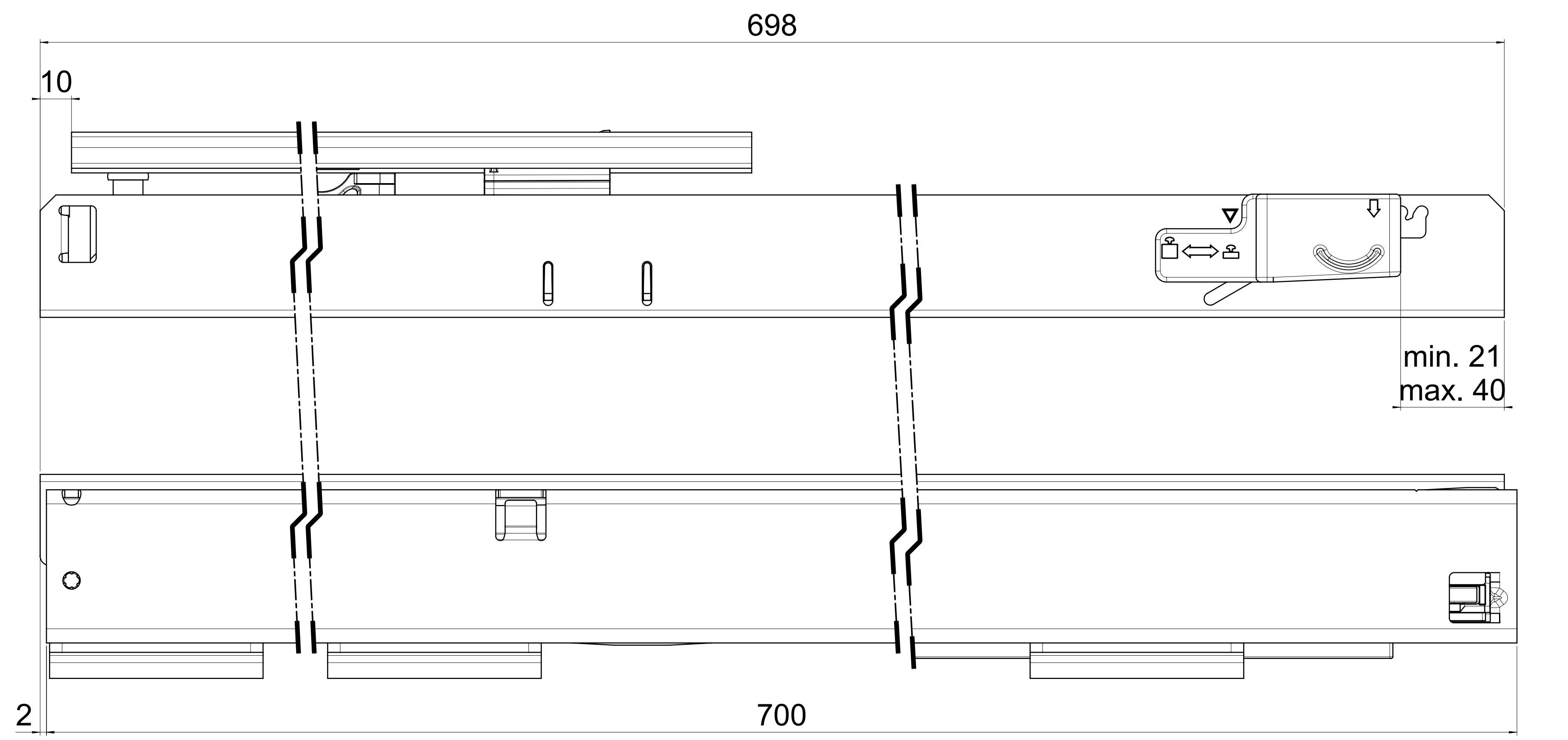
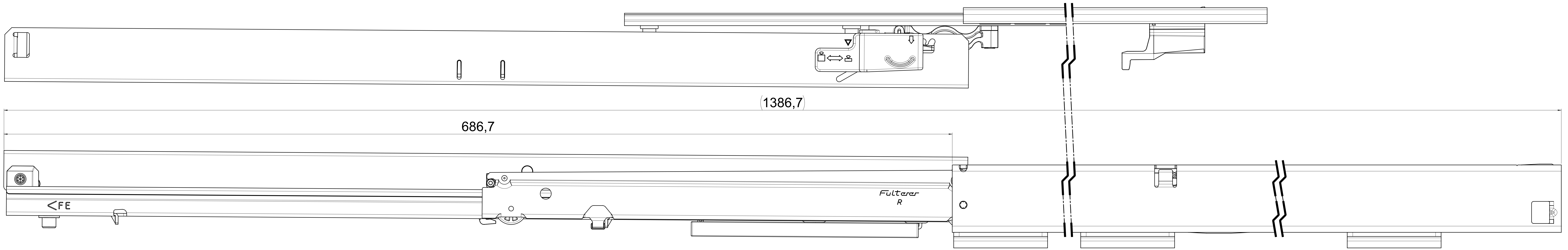
date:

all dimensions in mm				DIN ISO 128-30 missing dimensions see 3D = theor. intersection	
This drawing remains our property and may not be multiplied neither be disclosed to third parties (§§1,3 and 5 from the copyright Act (UrhG)). covered according to DIN ISO 16016				material: semi finished parts: AO	
scale:	1:1	surface:	steel	(technical requirements Filterer)	
drawn:	07-12-2022	name:	GB	description: FR 775A / 70 - EN (mm)	
proven:	00-00-0000	no.:	00	progressive-action full-extension drawerslide / bottom mount	
Filterer AG & Co KG A-6890 Lustenau / Austria			drawing number: 775A.700-GA.0000		
C4-8430 St. Margrethen			replaces version 0316:		
changes:	date:	na.	na.	na.	

= check dimension, next free check number = theor. intersection

dimensions without coating / maximum coating allowed 0.1mm

X



⚠ = check dimension , next free check number ⚠

final approval

customer name:

signed by:

date:

<p>all dimensions in mm</p> <p>This drawing remains our property and may not be multiplied neither be disclosed to third parties (§§1,3 and 5 from the copyright Act (UrhG)). covered according to DIN ISO 15016</p>		<p>DIN ISO 128-30 missing dimensions see 3D = theor. intersection</p>	
scale:	1:1	surface:	steel (technical requirements Filterer)
material:	semi finished parts	AO	
drawn:	07-12-2022	name:	GB
proven:	00-00-0000	description:	FR 775A / 70 - EN (mm) progressive-action full-extension drawerslide / bottom mount
<p>Filterer</p> <p>Filterer AG & Co KG A-6800 Lustenau / Austria CH-8430 St. Margrethen</p>		<p>drawing number: 775A.700-GA.0000 replaces version 6816:</p>	
changes:	date:	na:	na: