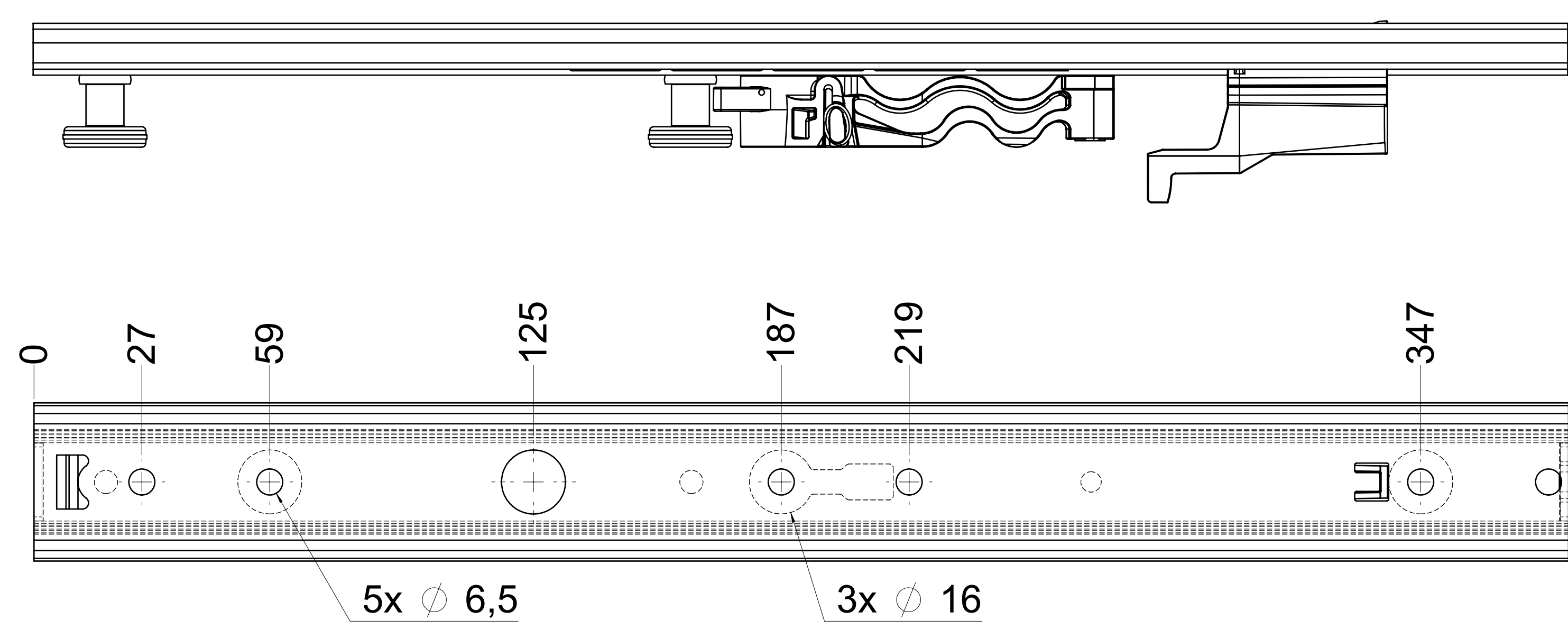
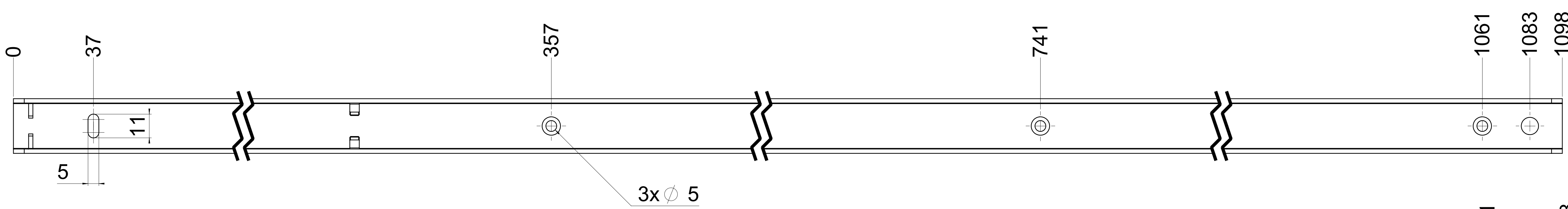


dimensions without coating / maximum coating allowed 0.1mm

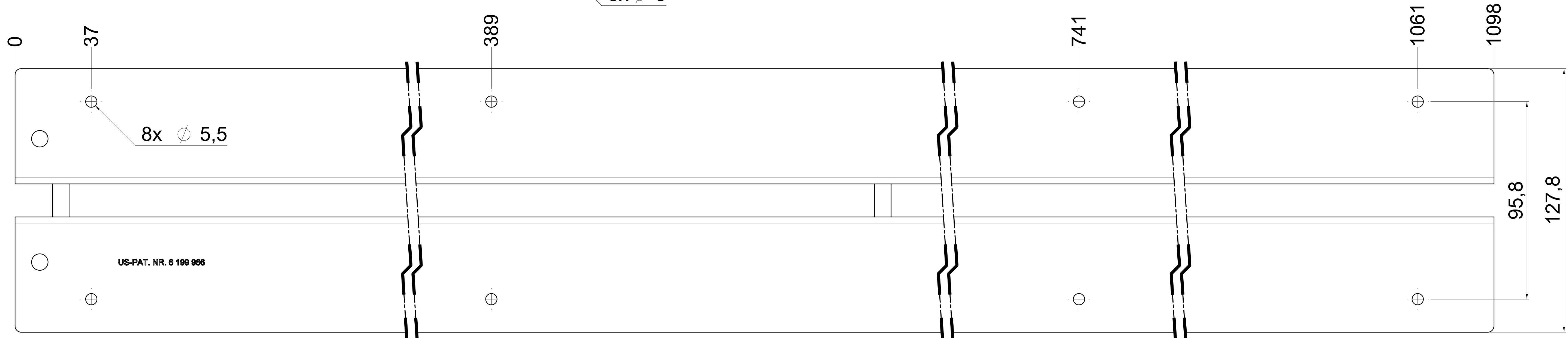
top guide cabinet profile



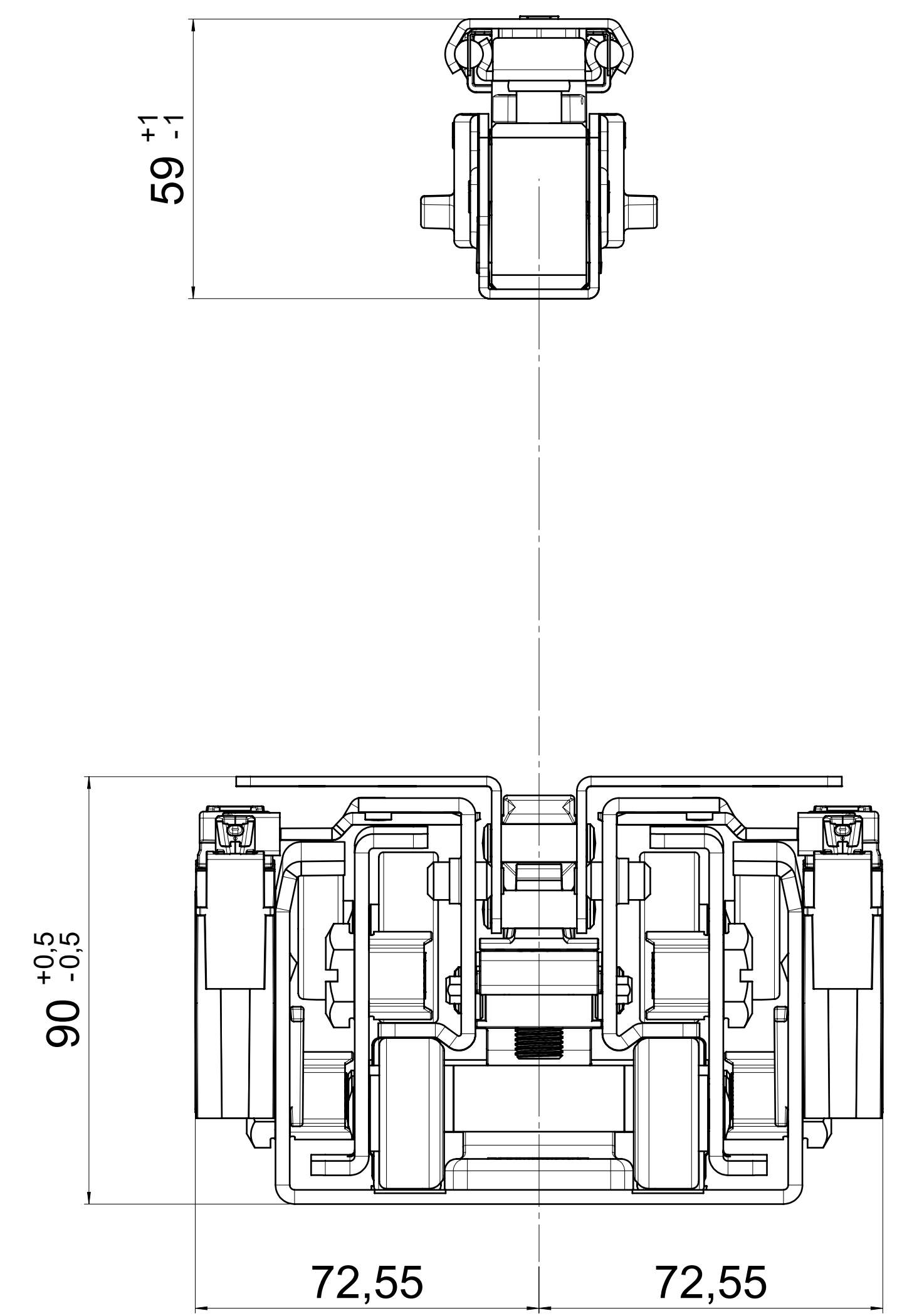
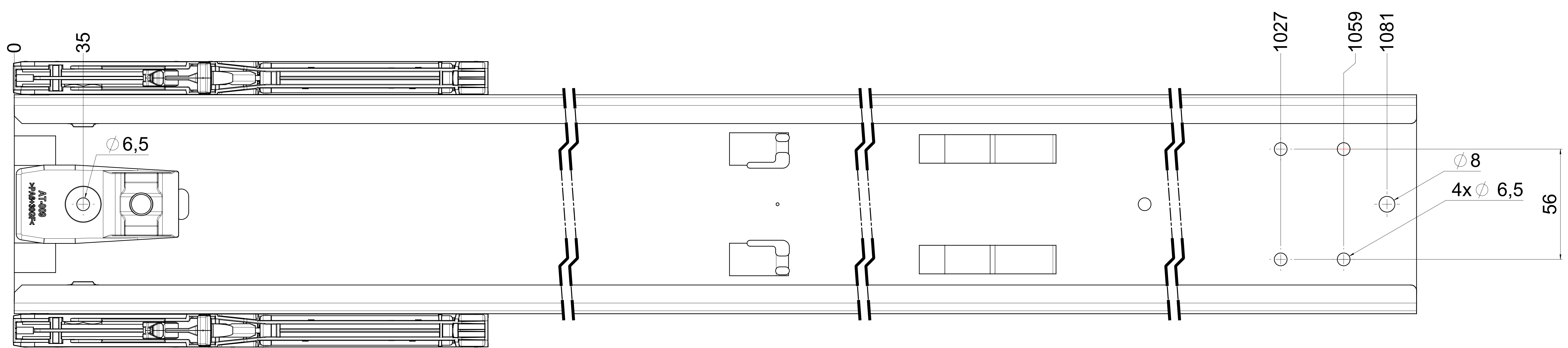
top guide drawer profile



bottom guide drawer profile



bottom guide cabinet profile



final approval

customer name: _____

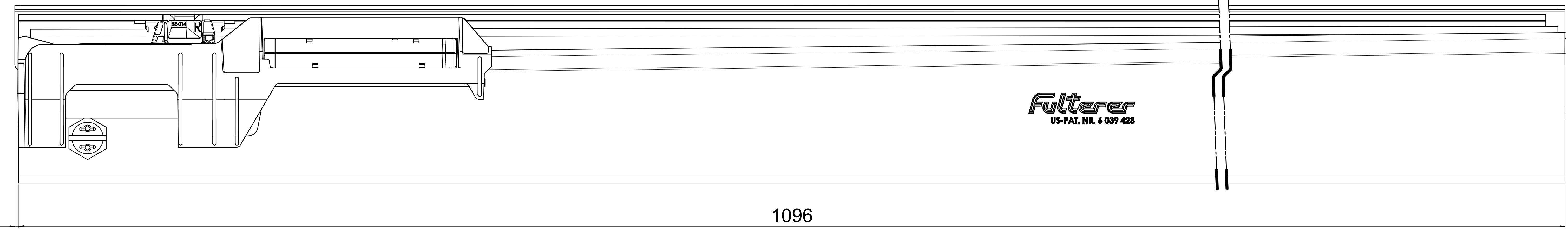
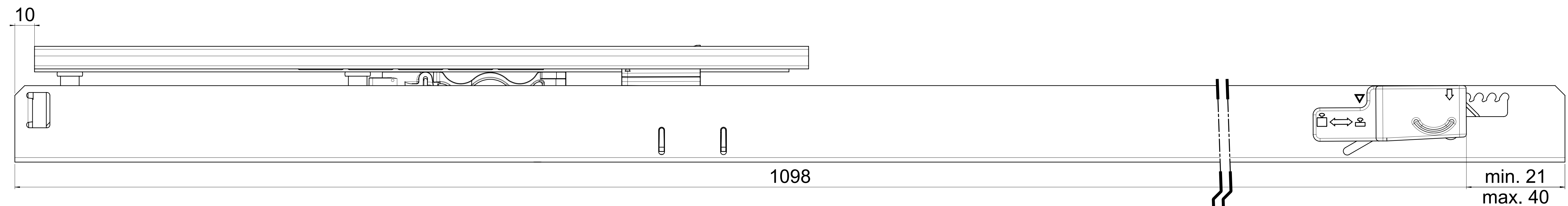
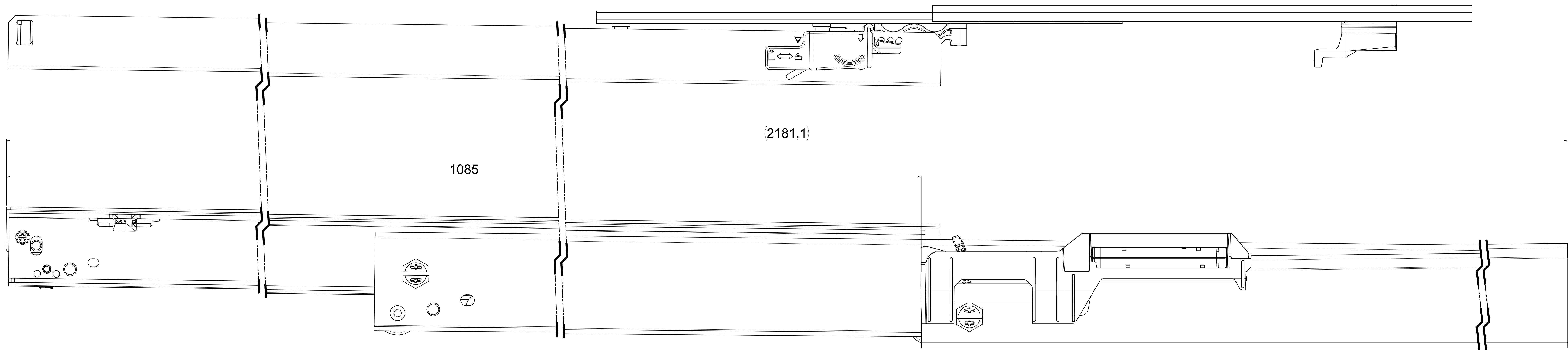
signed by: _____

date: _____

<p>all dimensions in inch</p> <p>This drawing remains our property and may not be multiplied neither be disclosed to third parties (§§1,3 and 5 from the copyright Act (UrHG)). covered according to DIN ISO 16016</p>		<p>DIN ISO 128-30 missing dimensions see 3D = theor. intersection</p>	
scale:	1:1	surface:	steel (technical requirements Filterer)
drawn:	21-11-2021	name:	GB
proven:	00-00-0000	description:	FR 777A / 110 EN (mm) progressive-action full-extension drawerslide / bottom mount
<p>Filterer</p> <p>Filterer AG & Co KG A-6800 Lustenau / Austria C14-8430 St. Margarethen</p>		<p>drawing number: 777A.1100-GA.0000 replaces version 03/16</p>	
changes:	date:	na:	initials:

dimensions without coating / maximum coating allowed 0.1mm

X



final approval

customer name:

signed by:

date:

page 1 of 2

= check dimension , next free check number

DIN ISO 128-30 missing dimensions see 3D = theor. intersection

all dimensions in mm

This drawing remains our property and may not be multiplied neither be disclosed to third parties (§§1,3 and 5 from the copyright Act. (UrHG)) covered according to DIN ISO 15015

scale:	1:1	surface:	steel (technical requirements Filterer)
material:	semi finished parts	description:	FR 777A / 110 EN (mm) progressive-action full-extension drawerslide / bottom mount
drawn:	21-11-2021	name:	GB
proven:	00-00-0000	date:	00
changes:		date:	
na:		na:	

Filterer
Filterer AG & Co KG
A-6800 Lustenau / Austria
C14-8430 St. Margarethen

drawing number:
777A.1100-GA.0000
replaces version 03/16

Monday, 31. Januar 2022 14:54:16
Ingrida Heisberger