

**final approval**

customer name:

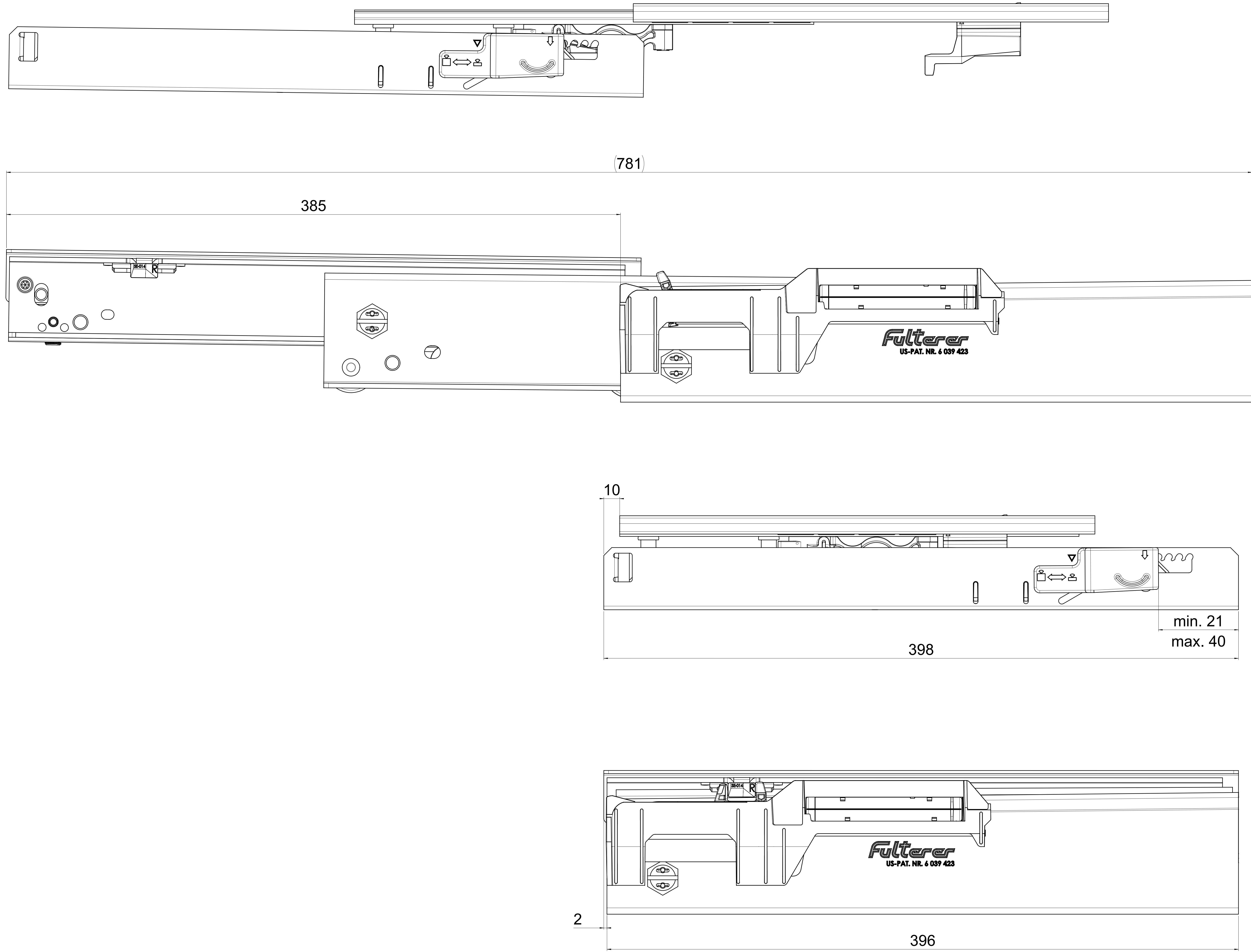
signed by:

date:

all dimensions in mm				DIN ISO 128-30 missing dimensions see 3D = theor. intersection	
This drawing remains our property and may not be multiplied neither be disclosed to third parties (§§1,3 and 5 from the copyright Act (UrHG)) covered according to DIN ISO 16016				material: semi finished parts: AO	
scale:	1:1	surface:	steel	(technical requirements Filterer)	
drawn:	21-11-2021	date:	name:	description:	
proven:	00-00-0000	date:	name:	FR 777A / 40 - EN (mm)	
				progressive-action full-extension drawerslide / bottom mount	
				drawing number:	
				777A.400-GA.0000	
				replaces version 03/02:	
changes:	date:	na:	na:	includes: beberger	

dimensions without coating / maximum coating allowed 0.1mm

X



**final approval**  
 customer name:  
 signed by:  
 date:

page 2 of 2 ⚠ = check dimension , next free check number ⚠

This drawing remains our property and may not be multiplied neither be disclosed to third parties (§§1,3 and 5 from the copyright Act (UrhG)) covered according to DIN ISO 15016		scale: 1:1	surface: steel (technical requirements Fulterer)	material: semi finished parts: AO
drawn: 21-11-2021 proven: 00-00-0000	date: 21-11-2021 name: GB	description: FR 777A / 40 - EN (mm) progressive-action full-extension drawerslide / bottom mount	drawing number: 777A.400-GA.0000	replaces version 0310:
Fulterer AG & Co KG A-6800 Lustenau / Austria CH-8430 St. Margrethen	drawing number: 777A.400-GA.0000	replaces version 0310:	drawing number: 777A.400-GA.0000	replaces version 0310: