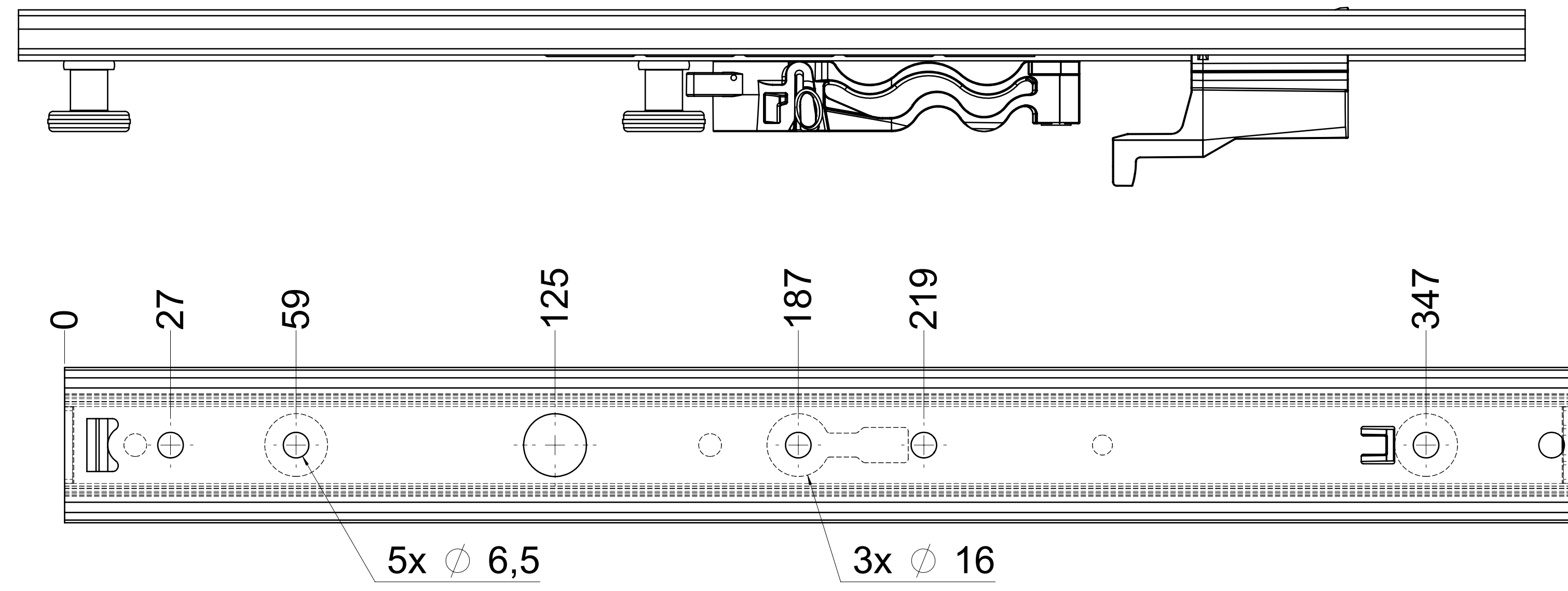
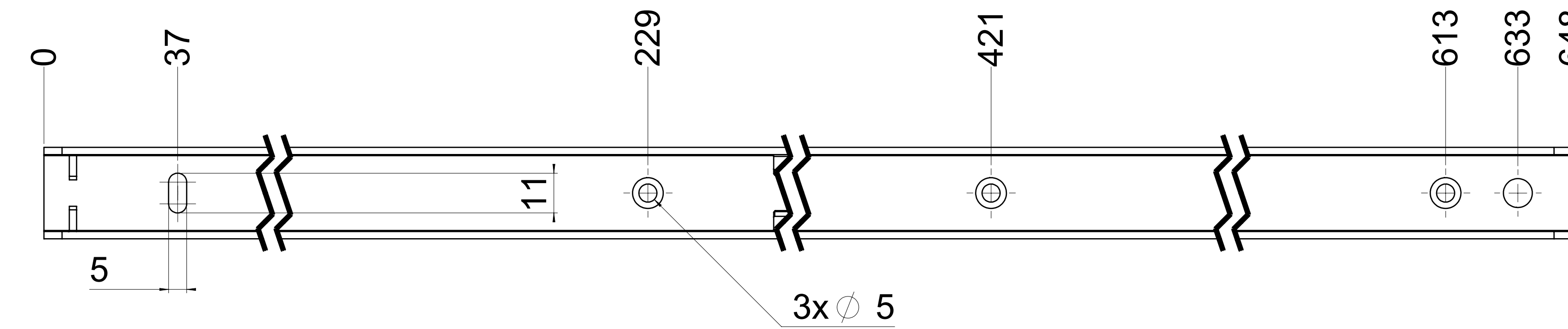


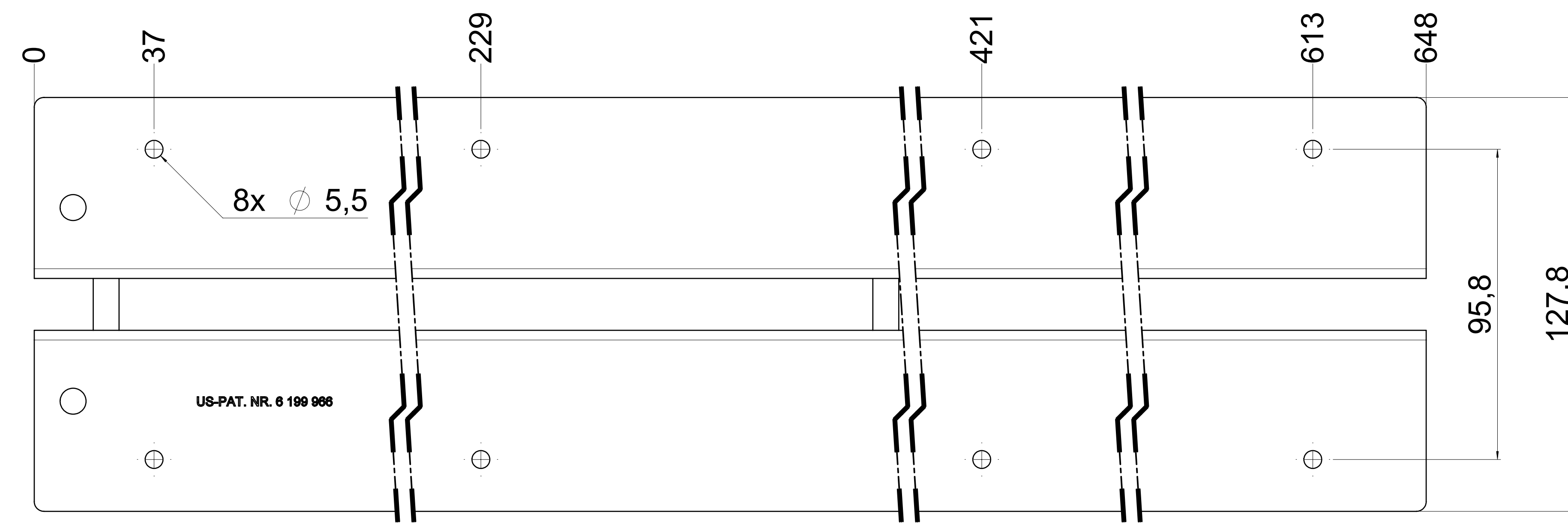
top guide cabinet profile



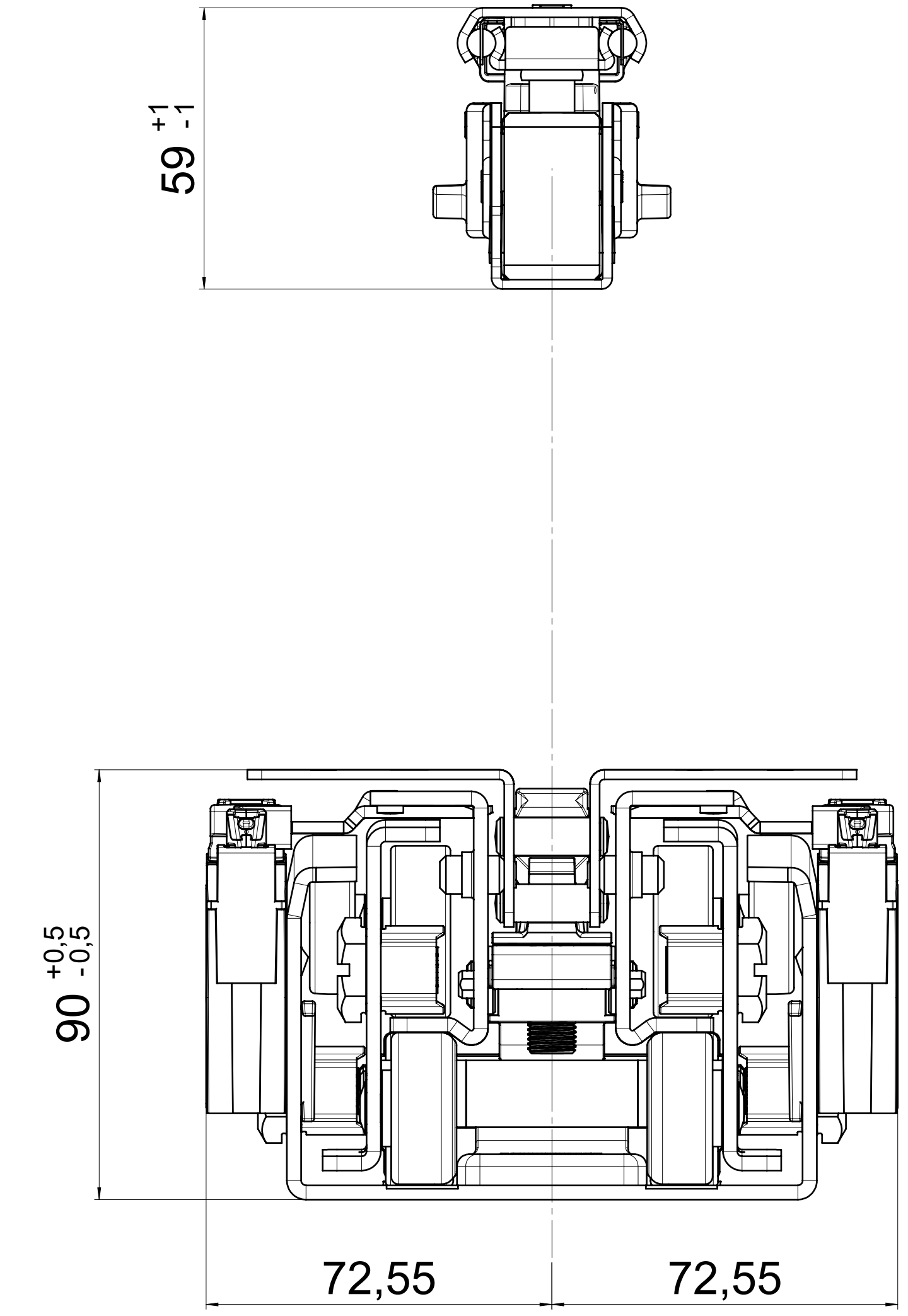
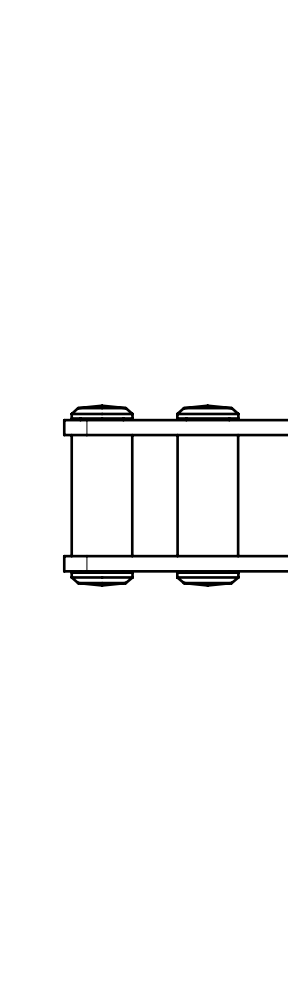
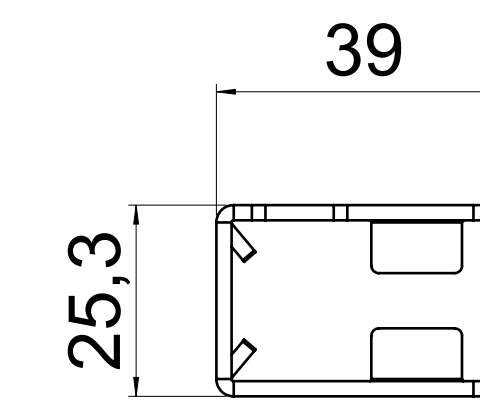
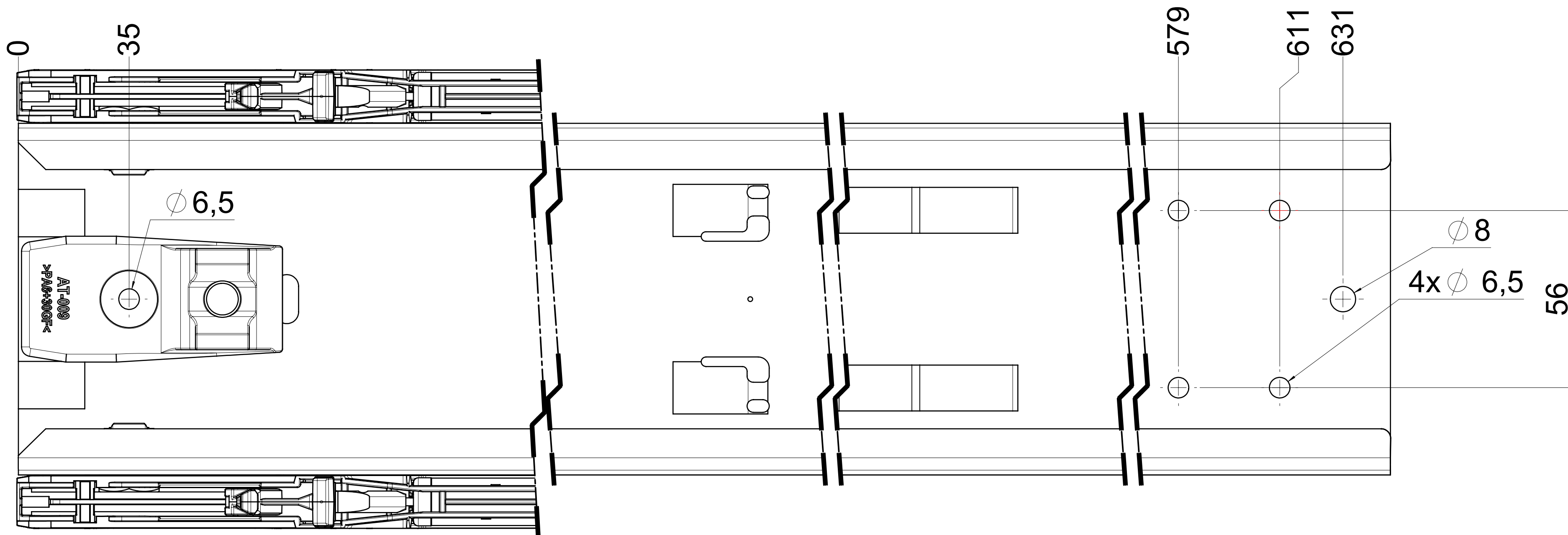
top guide drawer profile



bottom guide drawer profile



bottom guide cabinet profile



final approval

customer name:

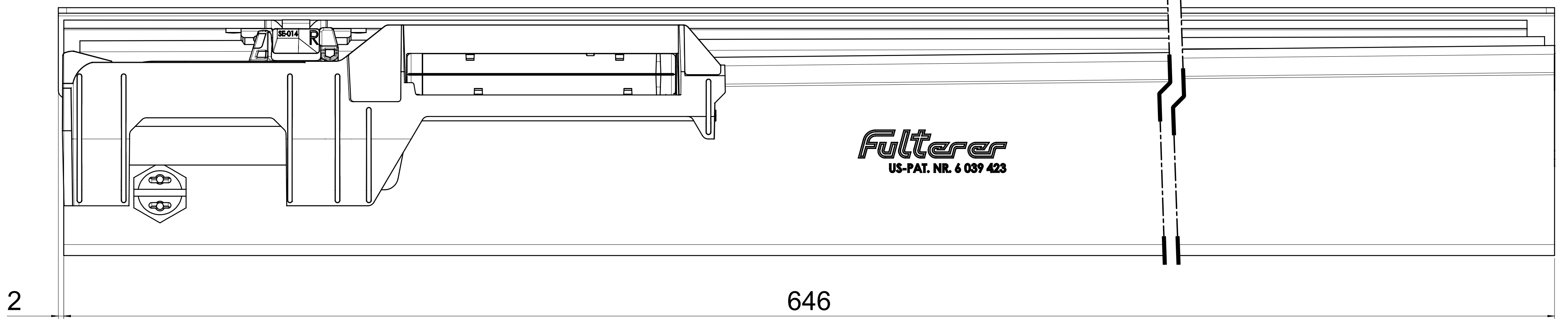
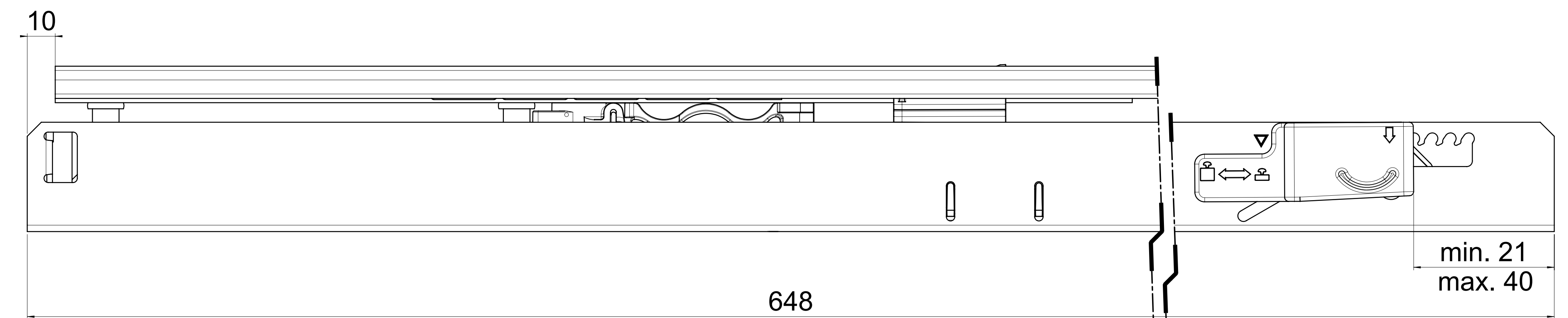
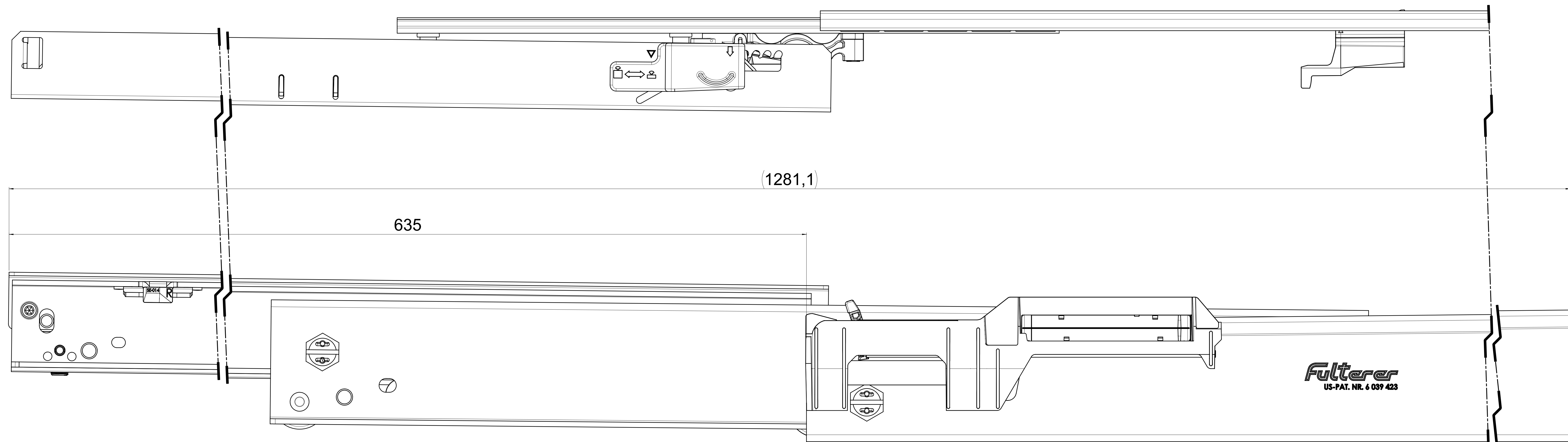
signed by:

date:

| all dimensions in mm | | | |
|--|---------------------------|--------------|---|
| This drawing remains our property and may not be multiplied neither be disclosed to third parties (§§1,3 and 5 from the copyright Act (UrhG)) covered according to DIN ISO 15015 | | | |
| scale: | 1:1 | surface: | steel (technical requirements Filterer) |
| material: | semi finished parts | AO | |
| drawn: | 21-11-2021 | name: | GB |
| proven: | 00-00-0000 | description: | FR 777A / 65 EN (mm) progressive-action full-extension drawerslide / bottom mount |
| | | | drawing number: 777A.650-GA.0000 replaces version 03/16 |
| Fullerer AG & Co KG | A-6890 Lustenau / Austria | | |
| Fullerer AG | CH-8430 St. Margrethen | | |
| Created: 01. Januar 2021 13:54:54 | Inchola Isenberger | | |
| changes | date | na. | |

dimensions without coating / maximum coating allowed 0.1mm

X



2

646

min. 21
max. 40

Fulterer
US-PAT. NR. 6 037 423

Fulterer
US-PAT. NR. 6 037 423

final approval

customer name: _____

signed by: _____

date: _____

| all dimensions in mm | | DIN ISO 128-30 | |
|------------------------------------|--------------------|---|---|
| covered according to DIN ISO 15015 | | missing dimensions see 3D = theor. intersection | |
| 1 | 1:1 | surface: | steel (technical requirements Fulterer) |
| 2 | date: | material: | semi finished parts |
| 3 | name: | description: | FR 777A / 65 EN (mm) |
| 4 | drawn: 21-11-2021 | drawn: | progressive-action full-extension |
| 5 | checked: GB | checked: | drawerslide / bottom mount |
| 6 | proven: 00-00-0000 | proven: | |
| 7 | | | |
| 8 | | | |
| 9 | | | |
| 10 | | | |
| 11 | | | |
| 12 | | | |
| 13 | | | |
| 14 | | | |
| 15 | | | |
| 16 | | | |
| 17 | | | |
| 18 | | | |
| 19 | | | |
| 20 | | | |
| 21 | | | |
| 22 | | | |
| 23 | | | |
| 24 | | | |
| 25 | | | |
| 26 | | | |
| 27 | | | |
| 28 | | | |
| 29 | | | |
| 30 | | | |
| 31 | | | |
| 32 | | | |
| 33 | | | |
| 34 | | | |
| 35 | | | |
| 36 | | | |
| 37 | | | |
| 38 | | | |
| 39 | | | |
| 40 | | | |
| 41 | | | |
| 42 | | | |
| 43 | | | |
| 44 | | | |
| 45 | | | |
| 46 | | | |
| 47 | | | |
| 48 | | | |
| 49 | | | |
| 50 | | | |
| 51 | | | |
| 52 | | | |
| 53 | | | |
| 54 | | | |
| 55 | | | |
| 56 | | | |
| 57 | | | |
| 58 | | | |
| 59 | | | |
| 60 | | | |
| 61 | | | |
| 62 | | | |
| 63 | | | |
| 64 | | | |
| 65 | | | |
| 66 | | | |
| 67 | | | |
| 68 | | | |
| 69 | | | |
| 70 | | | |
| 71 | | | |
| 72 | | | |
| 73 | | | |
| 74 | | | |
| 75 | | | |
| 76 | | | |
| 77 | | | |
| 78 | | | |
| 79 | | | |
| 80 | | | |
| 81 | | | |
| 82 | | | |
| 83 | | | |
| 84 | | | |
| 85 | | | |
| 86 | | | |
| 87 | | | |
| 88 | | | |
| 89 | | | |
| 90 | | | |
| 91 | | | |
| 92 | | | |
| 93 | | | |
| 94 | | | |
| 95 | | | |
| 96 | | | |
| 97 | | | |
| 98 | | | |
| 99 | | | |
| 100 | | | |

AO = check dimension, next free check number

DIN ISO 128-30 missing dimensions see 3D = theor. intersection

This drawing remains our property and may not be multiplied neither be disclosed to third parties (§§1,3 and 5 from the copyright Act (UrHG)).

Fullterer AG & Co KG
A-6800 Lustenau / Austria
C14-8430 St. Margarethen

drawing number: **777A.650-GA.0000**
replaces version 0400