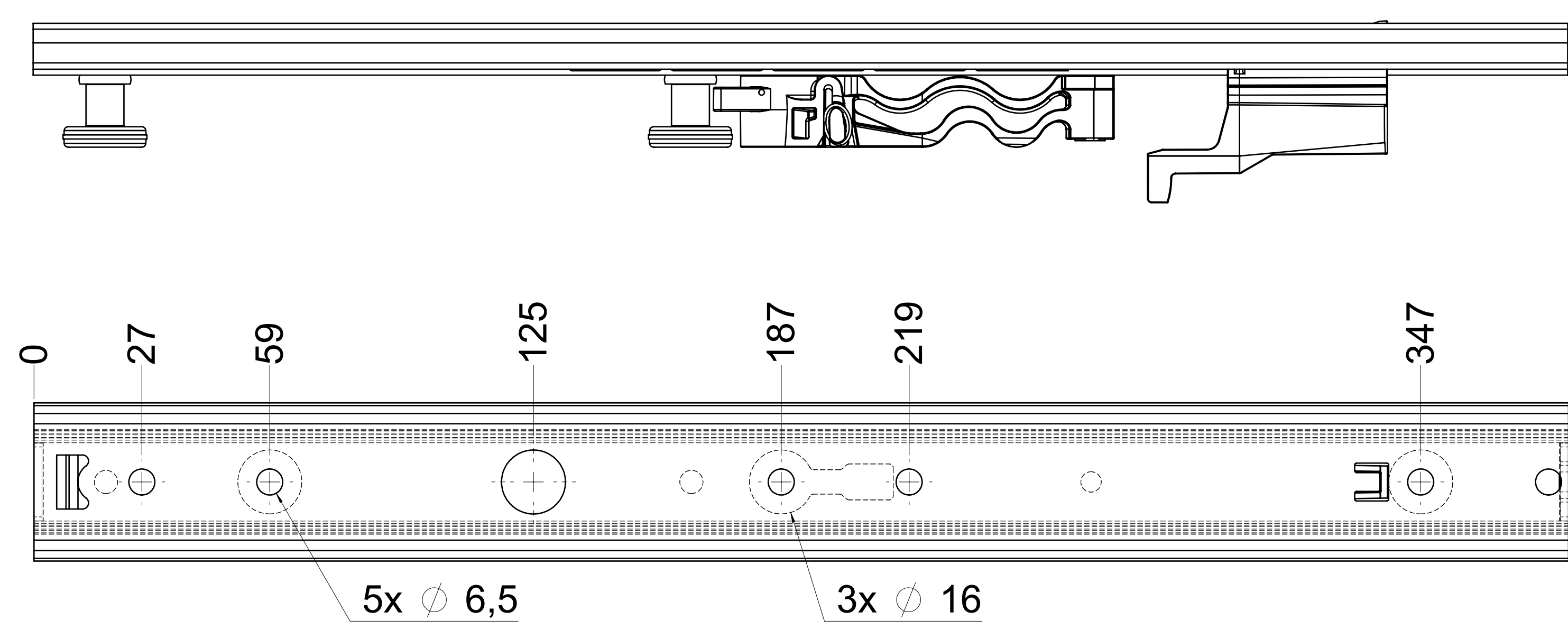
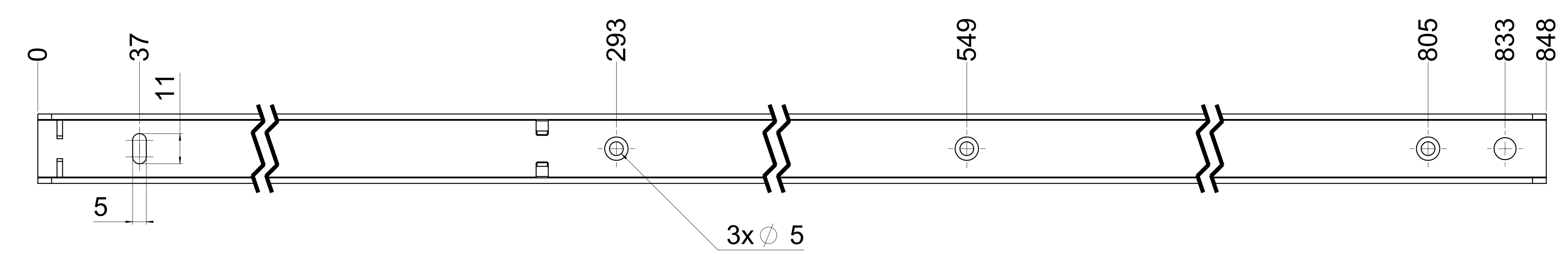


dimensions without coating / maximum coating allowed 0.1mm

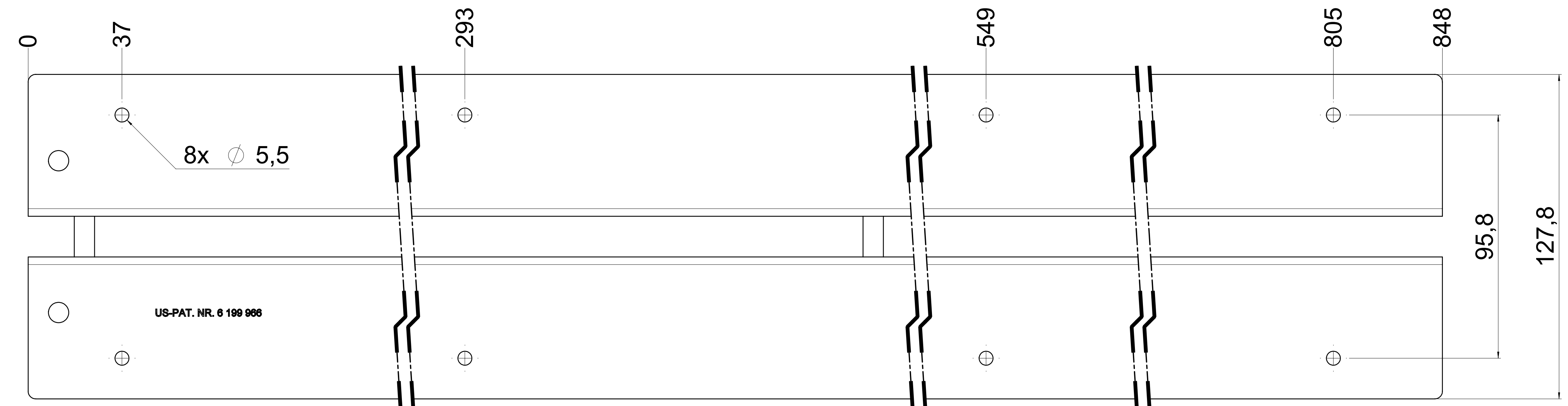
top guide cabinet profile



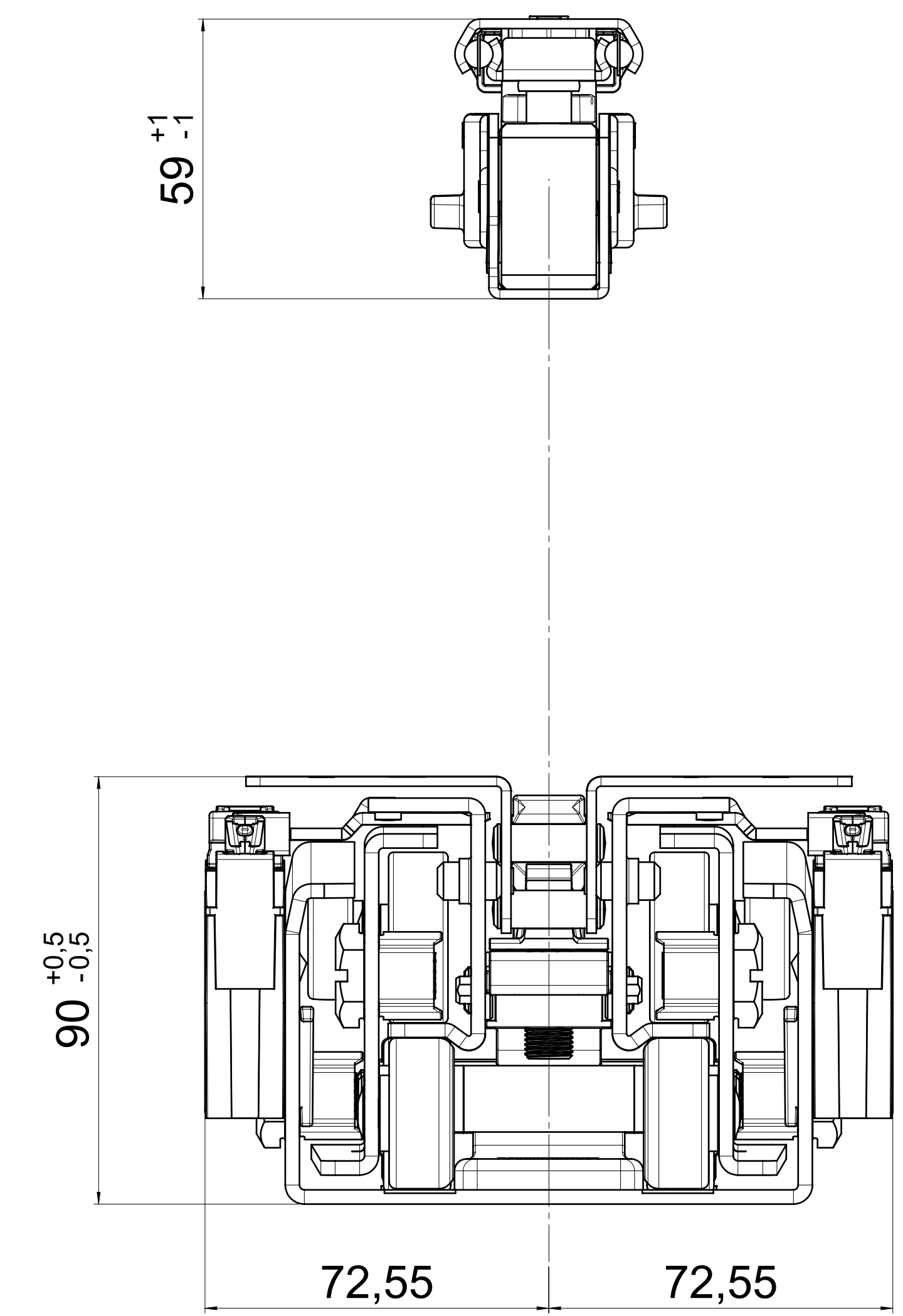
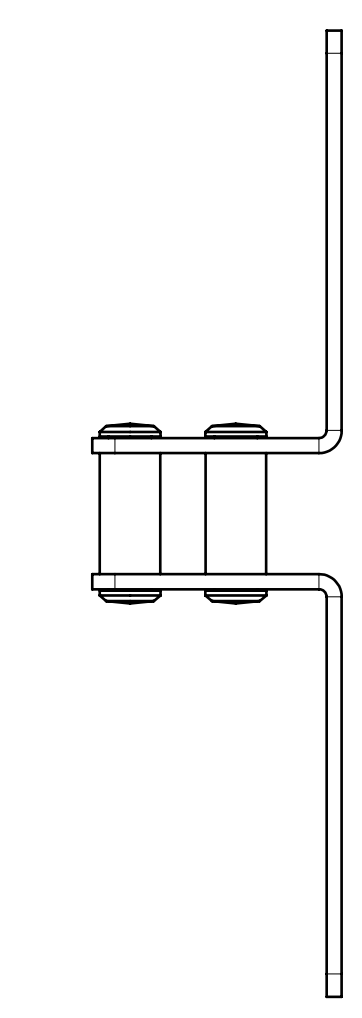
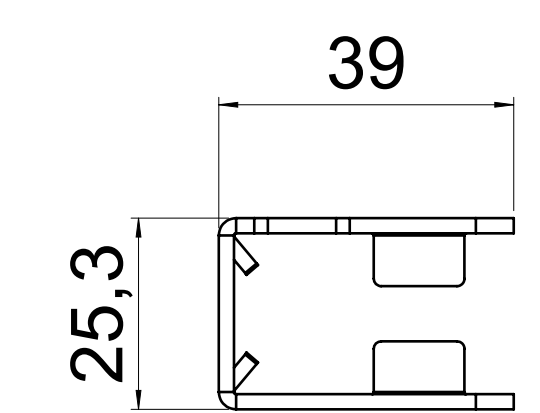
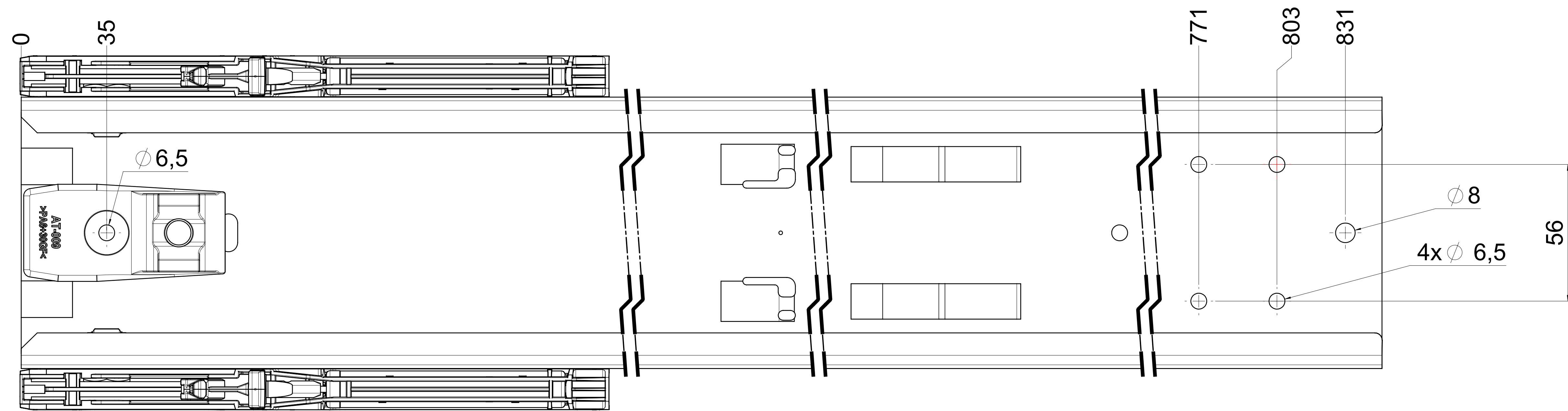
top guide drawer profile



bottom guide drawer profile



bottom guide cabinet profile



final approval

customer name: _____

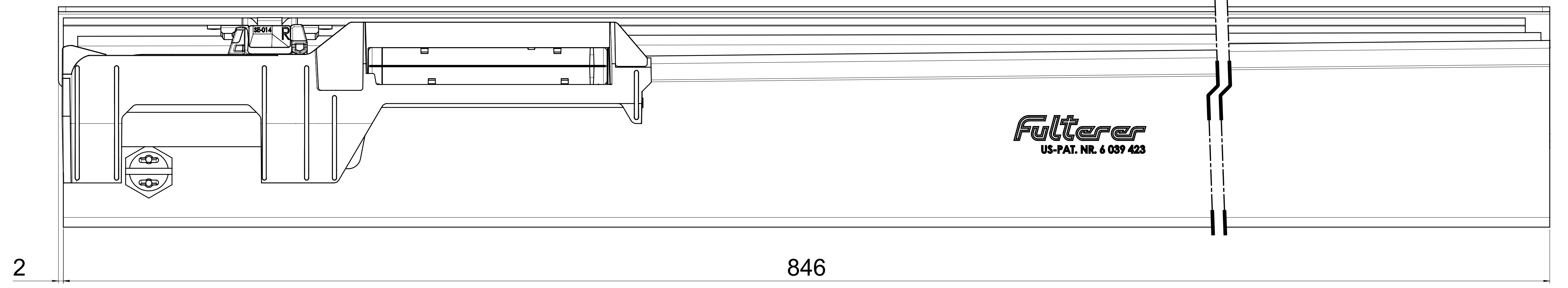
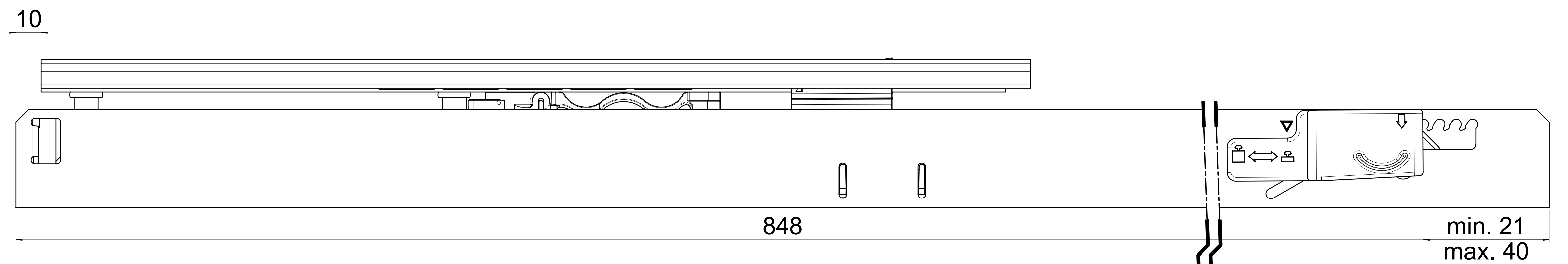
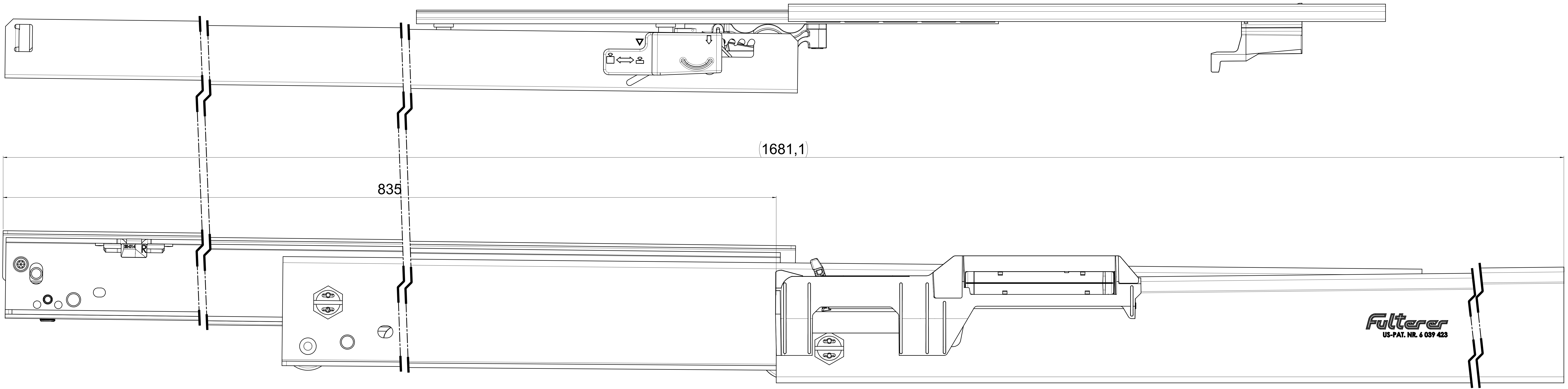
signed by: _____

date: _____

<p>all dimensions in mm</p> <p>This drawing remains our property and may not be disclosed to third parties (§§1,3 and 5 from the copyright Act (UrhG)) covered according to DIN ISO 15016</p>		<p>DIN ISO 128-30 missing dimensions see 3D = theor. intersection</p>	
scale:	1:1	surface:	steel (technical requirements Filterer)
material:	semi finished parts	description:	FR 777A / 85 EN (mm) progressive-action full-extension drawerslide / bottom mount
drawn:	21-11-2021	name:	GB
proven:	00-00-0000	date:	00
<p>Filterer</p> <p>Filterer AG & Co KG A-6800 Lustenau / Austria CH-8430 St. Margrethen</p>		<p>drawing number: 777A.850-GA.0000 replaces version 03/02</p>	
changes	date	na.	incl. in list

dimensions without coating / maximum coating allowed 0.1mm

X



final approval

customer name: _____

signed by: _____

date: _____

page 2 of 2 ⚠ = check dimension , next free check number ⚠

all dimensions in mm

This drawing remains our property and may not be disclosed to third parties (§§1,3 and 5 from the copyright Act (UrhG)) covered according to DIN ISO 15016

scale:	1:1	surface:	steel
material:	semi finished parts		
drawn:	21-11-2021	name:	GB
proven:	00-00-0000	description:	FR 777A / 85 - EN (mm)
			progressive-action full-extension
			drawerslide / bottom mount
			drawing number:
			777A.850-GA.0000
			replaces version 03/02

Filterer
Filterer AG & Co KG
A-6800 Lustenau / Austria
C14-8430 St. Margarethen

Copyright 01. Januar 2021 14:28:37