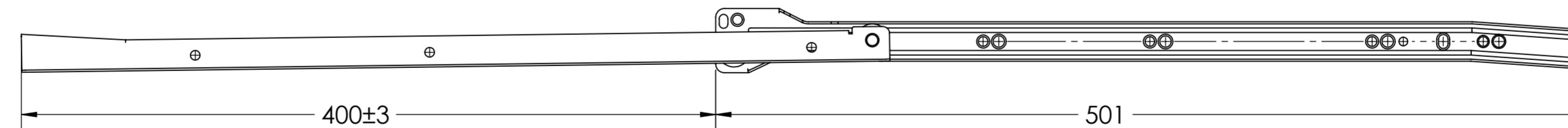
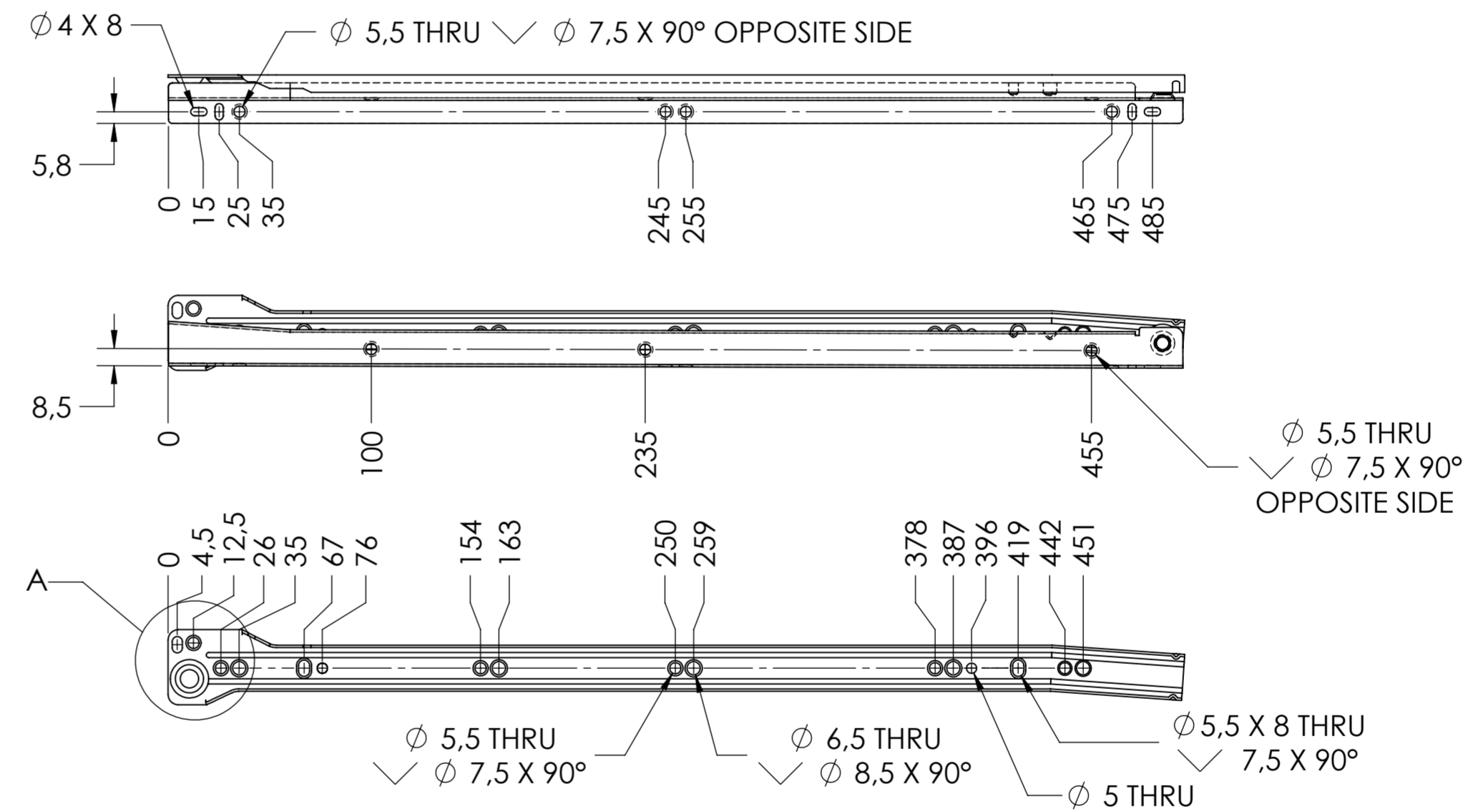


DETAIL A
SCALE 2:1



RECOMMENDED HARDWARE

CABINET- M4 FLAT HEAD SCREW OR M6 EURO SCREW (#8 FLAT HEAD SCREW OR #6 FLAT HEAD SCREW)

DRAWER- M3 FLAT HEAD SCREW (#6 FLAT HEAD SCREW)

general tolerances		DIN ISO 128-30 missing dimensions see 3D = theor. intersection	
ISO 2768-m			
This drawing remains our property and may not be multiplied neither be disclosed to third parties (§§1,3 and 5 from the copyright Act (UrhG)) covered according to DIN ISO 16016			
scale: 3:8		surface: A2	
date: 09-07-2019		name: HB	
drawn: 09-07-2019		description: BOTTOM MOUNTED REGULAR EXTENSION ROLLER SLIDE POWDERCOATED	
proven: 00-00-0000		drawing number: 1921.500-GA.C022	
changes		replaces version date:	
date		na.	
00-00-0000		0	
Fulterer AG & Co KG A-6890 Lustenau / Austria		Fulterer AG CH-9430 St. Margrethen	