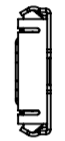
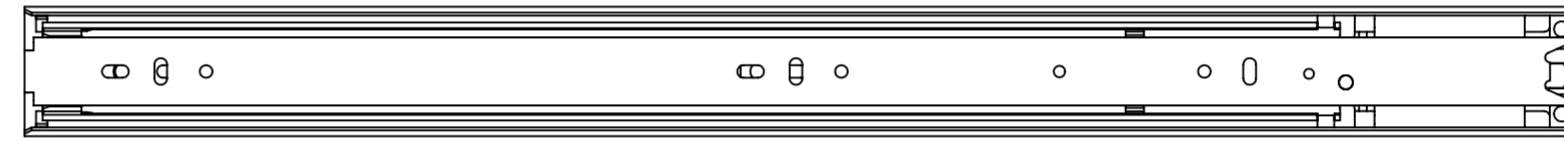
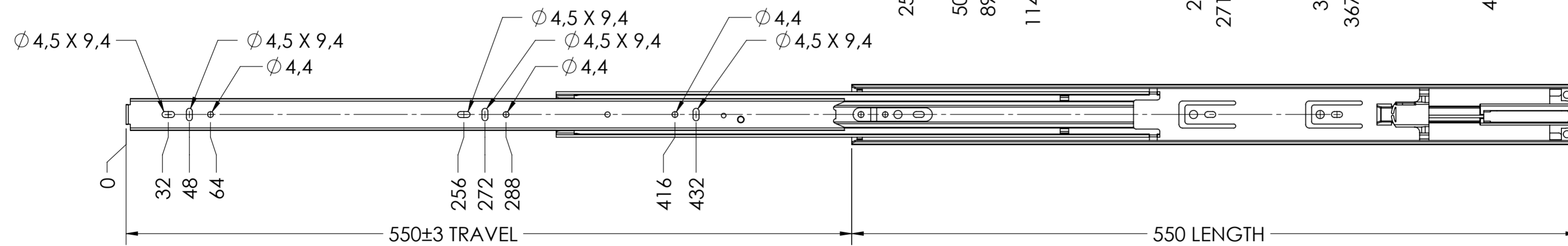
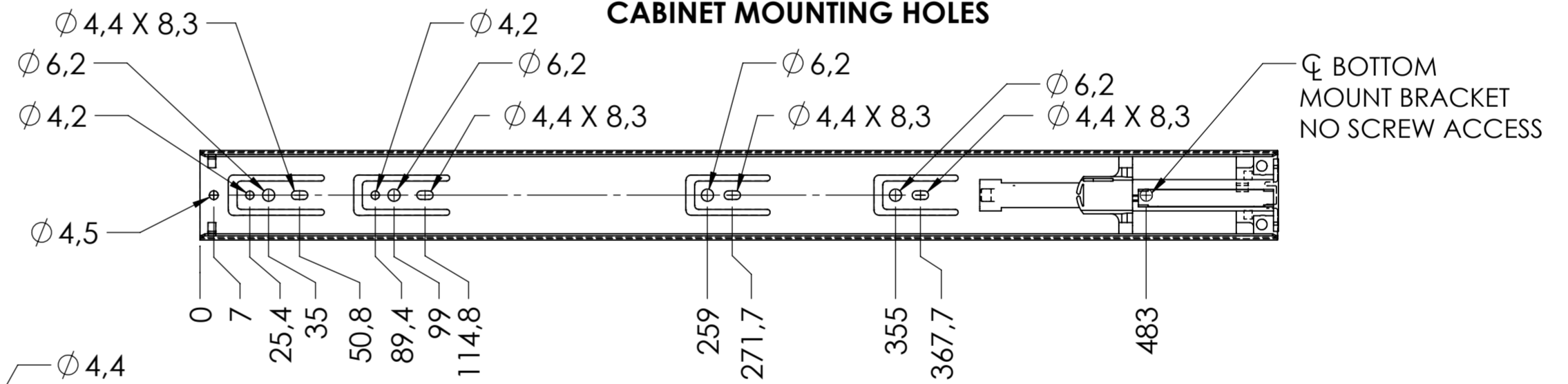


SCALE 1:1



CABINET MOUNTING HOLES



ECD SPRING FORCE: 19N ± 2N PER SLIDE

RECOMMENDED HARDWARE:
 CABINET- 3.5MM SPAX M4 BUTTON HEAD OR #8 TRUSS HEAD SCREW
 DRAWER- 3.5MM SPAX M4 BUTTON HEAD OR #8 TRUSS HEAD SCREW

general tolerances				missing dimensions see 3D = theor. intersection	
ISO 2768-m					
This drawing remains our property and may not be multiplied neither be disclosed to third parties (§§1,3 and 5 from the copyright Act (UrhG))					
covered according to DIN ISO 16016				scale:	surface:
(k)				3:8	
(l)				date	name
(m)				drawn 29-10-2018	HB
(n)				proven 00-00-0000	00
(o)				Fullterer	
(p)					
(q)					
(r)				Fullterer AG & Co KG	
(s)				A-6890 Lustenau / Austria	
(t)				Fullterer AG	
(u)				CH-9430 St. Margrethen	
(v)				drawing number:	
(w)				5001.550-GA.T001	
(x)				replaces version date:	
(y)					
(z)					
ind.	changes	date	na.		