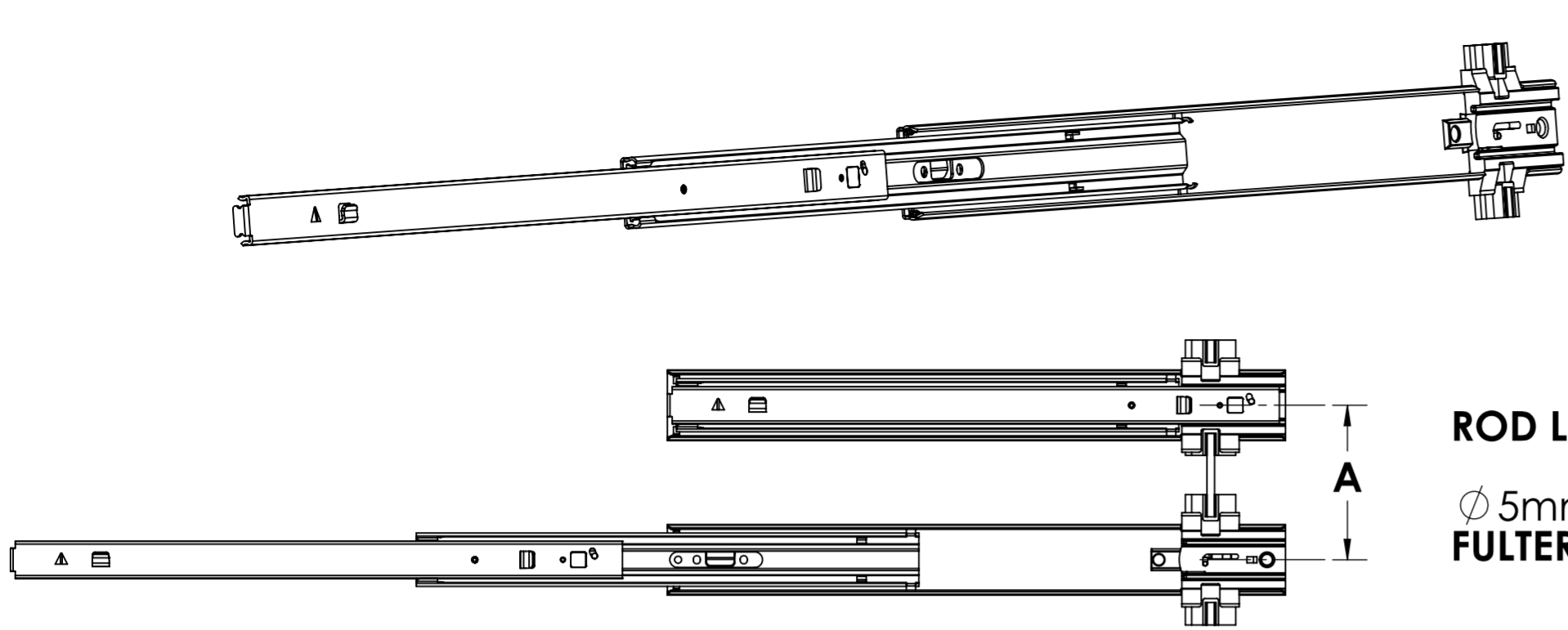
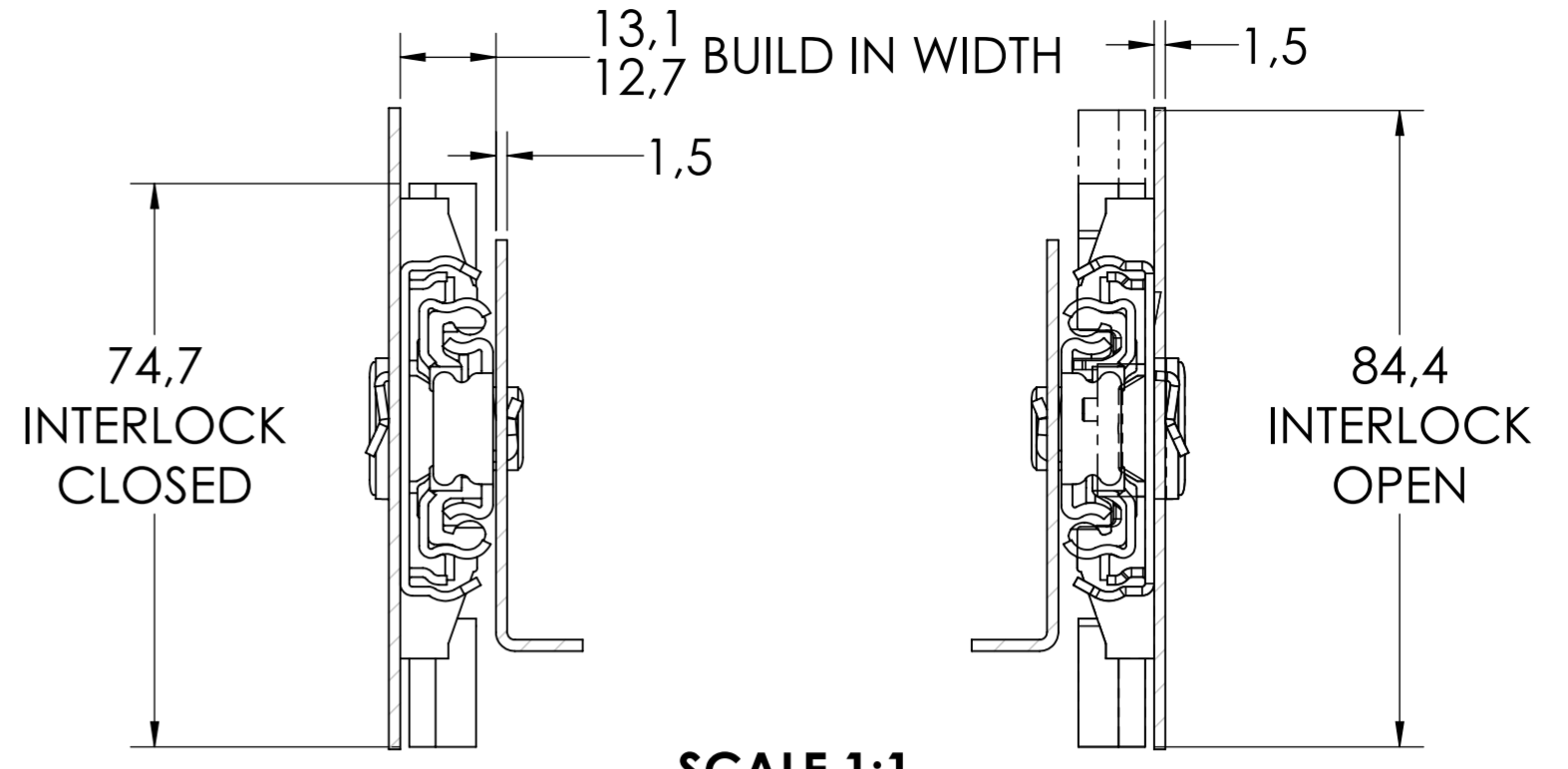


# 5019.550-GA.T120

X



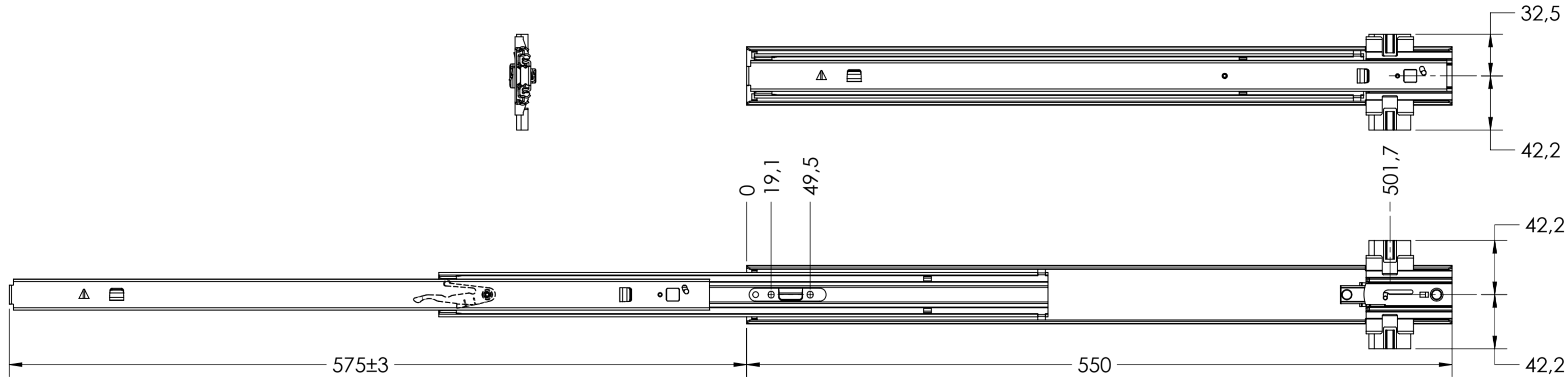
**ROD LENGTH  $L^{+0}_{-0.5} = A-46$**   
 $\varnothing 5\text{mm}$  ROD  
**FULTERER PART NUMBER 400246**



SCALE 1:4  
 NOTE: 400MM LENGTH SHOWN

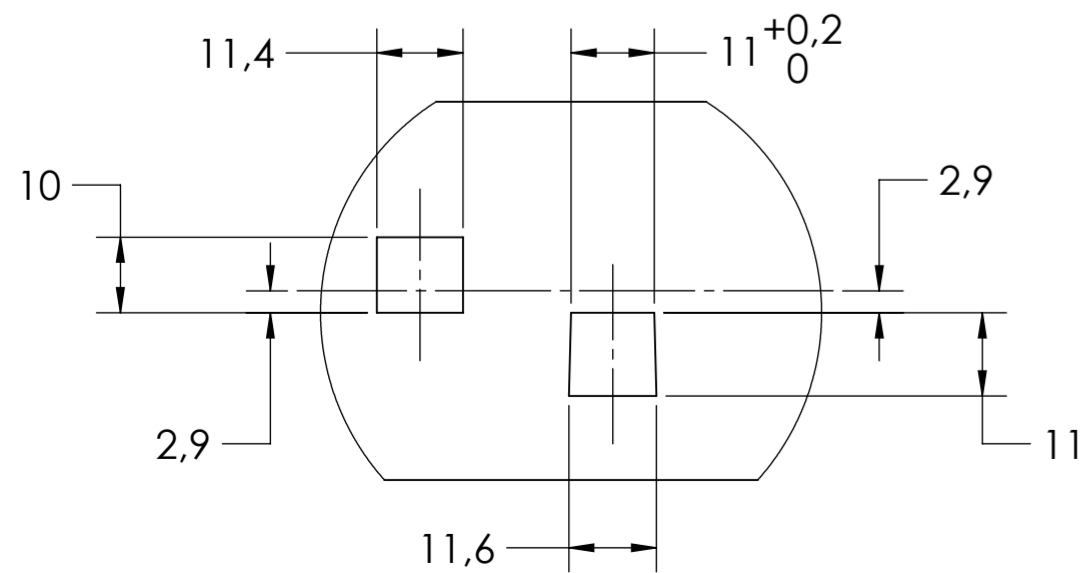
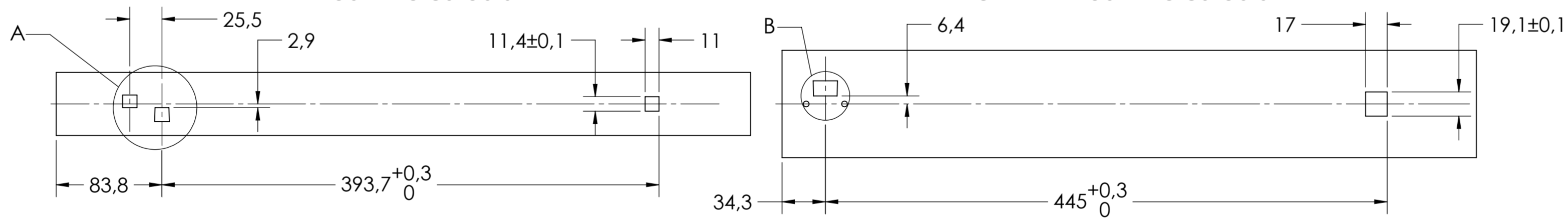
RECOMMENDED MIN. DISTANCE "A" = 90mm

SCALE 1:1



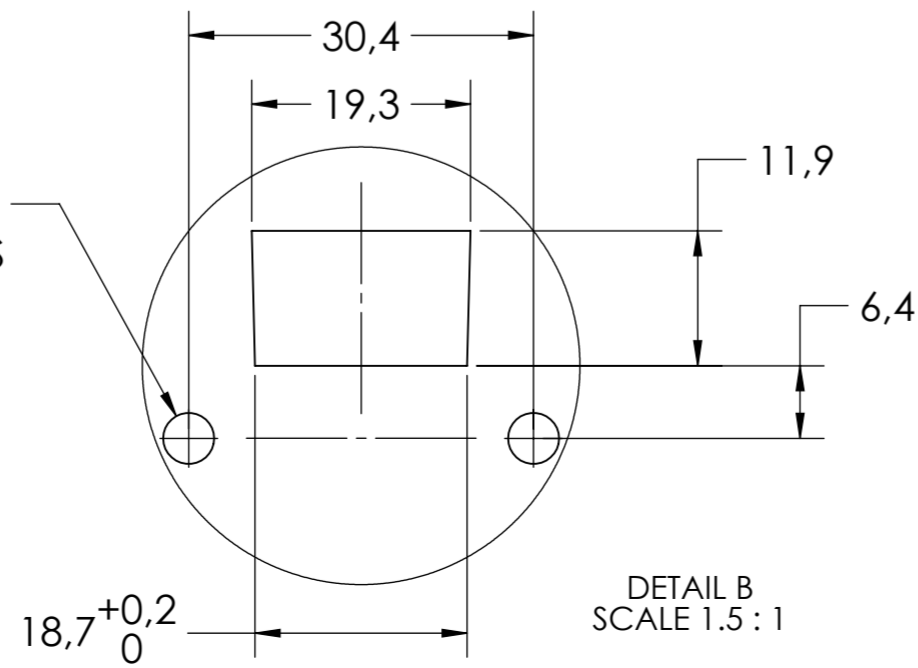
**DRAWER MOUNTING CUTOUTS**

**CABINET MOUNTING CUTOUTS**



DETAIL A  
 SCALE 1:1

2X  $\varnothing 4,5$   
 OPTIONAL  
 FOR RIVETS



DETAIL B  
 SCALE 1.5:1

general tolerances		DIN ISO 128-30 missing dimensions see 3D = theor. intersection	
ISO 2768-m			
This drawing remains our property and may not be multiplied neither be disclosed to third parties (§§1,3 and 5 from the copyright Act (UrhG)) covered according to DIN ISO 16016			
(k)	scale:	1:3	surface:
(l)	date:	05-06-2019	name:
(m)	drawn:	HB	description:
(n)	proven:	00-00-0000	00
(o)	<b>Fulterer</b>		material, semi finished parts: <b>STEEL</b> (technical requirements Fulterer)
(p)			
(q)	Fulterer AG & Co KG A-6890 Lustenau / Austria		replaces version date:
(r)	Fulterer AG CH-9430 St. Margrethen		
(s)	ind. changes	date	na.