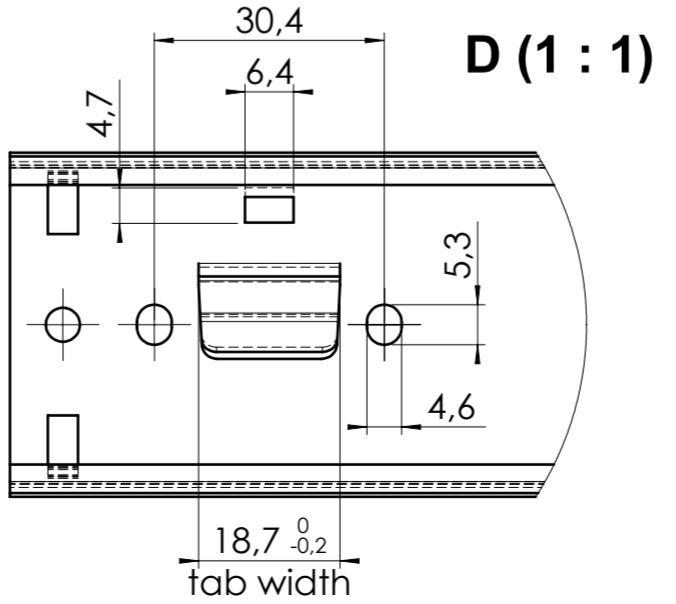
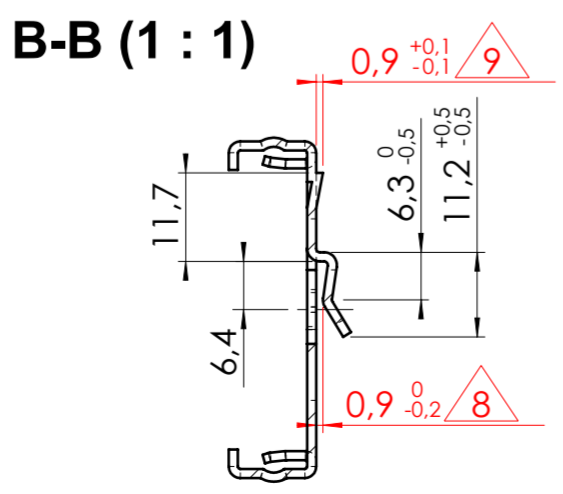
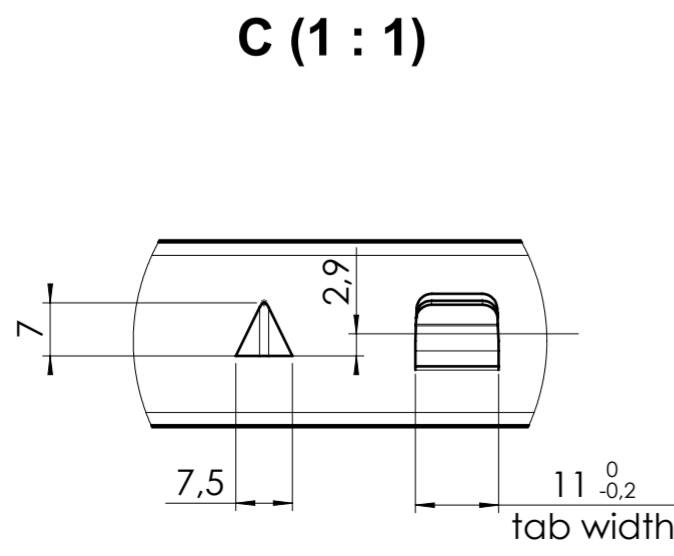
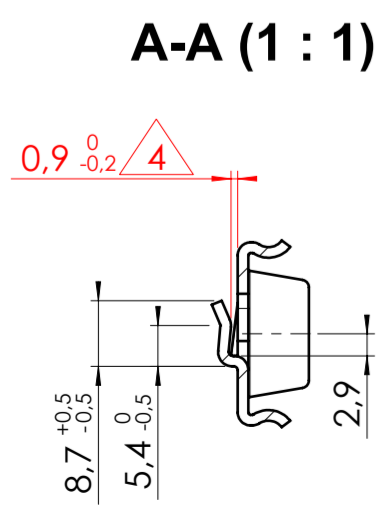


xx = check dimension, next free check number 12



general tolerances		DIN ISO 128-30	
stamping part according Fulterer W18-001	plastic part according DIN ISO 16742 TG4	missing dimensions see 3D	
This drawing remains our property and may not be multiplied neither be disclosed to third parties (§§1,3 and 5 from the copyright Act (UrhG)) covered according to DIN ISO 16016		= theor. intersection	
(k)	scale: 1:3	surface:	material, semi finished parts: A2
(l)	date	name	STEEL
(m)	drawn 22-04-2022	CS	(technical requirements Fulterer)
(n)	proven 00-00-0000	00	description: SIDE MOUNT OVER EXTENSION SMT (0,9) DRAWER SLIDE WITH DRAWER DISCONNECT
(o)	Fulterer		drawing number: 5046.700-GA.C102A
(p)	Fulterer AG & Co KG A-6890 Lustenau / Austria		replaces version date:
(q)	Fulterer AG CH-9430 St. Margrethen		
(r)	changes	date	na.
(s)	00-00-0000	00	
(t)			
(u)			
(v)			
(w)			
(x)			
(y)			
(z)			