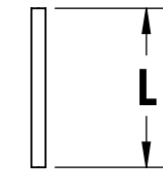
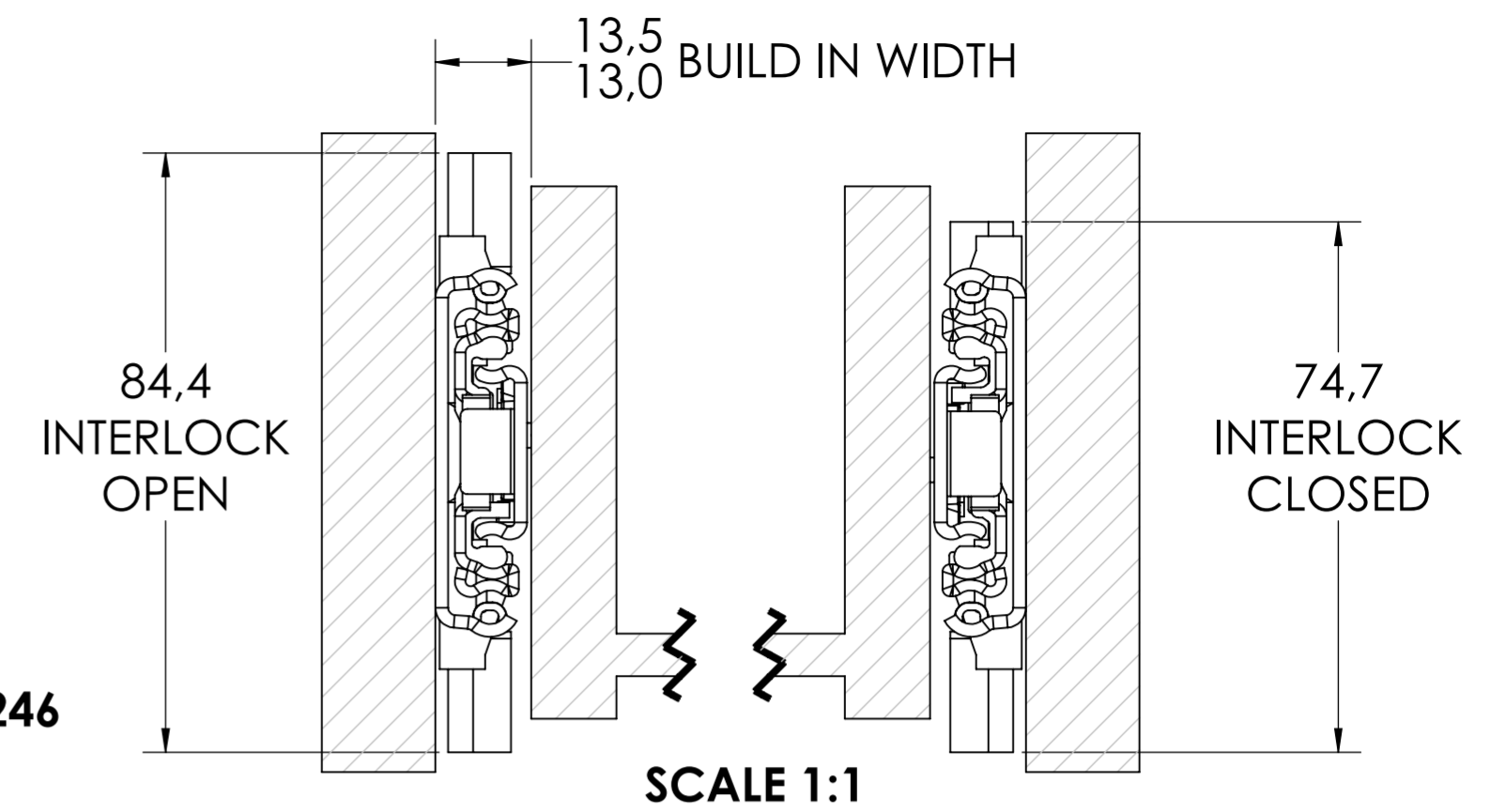


SCALE 1:4
NOTE: 450mm LENGTH SHOWN

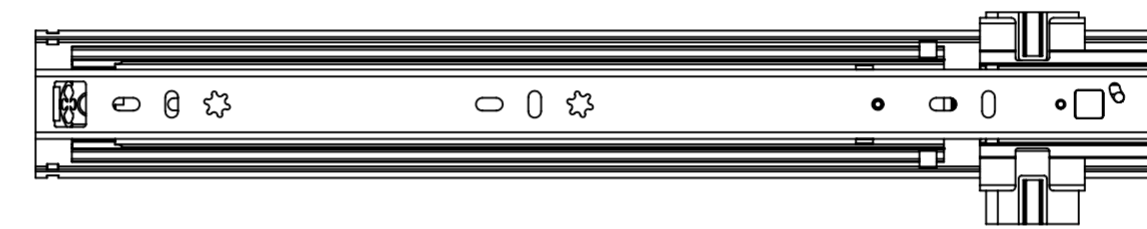
RECOMMENDED MINIMUM DISTANCE BETWEEN SLIDES "A" = 90mm



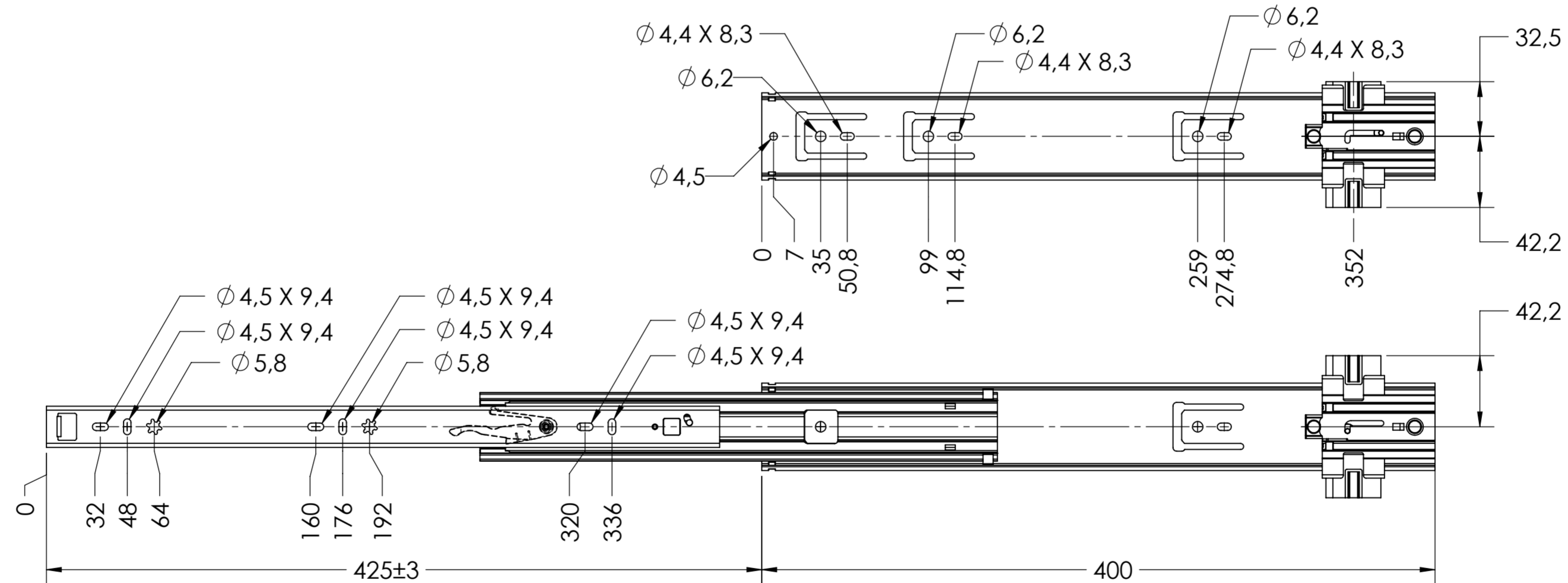
ROD LENGTH $L^{+0,5} = A-44$
 $\varnothing 5\text{mm}$ ROD
FULTERER PART NUMBER 400246



SCALE 1:1



CABINET MOUNTING HOLES



RECOMMENDED HARDWARE:

CABINET- M4 BUTTON HEAD OR #8 TRUSS HEAD SCREW

DRAWER- M4 BUTTON HEAD OR #8 TRUSS HEAD SCREW

INTERLOCK- $\varnothing 5\text{mm}$ ALUMINUM ROD **FULTERER PART NUMBER 400246**

| | | | |
|--|---------------------------|--|---|
| general tolerances | | DIN ISO 128-30 missing dimensions see 3D = theor. intersection | |
| ISO 2768-m | | | |
| This drawing remains our property and may not be multiplied neither be disclosed to third parties (§§1,3 and 5 from the copyright Act (UrhG)) covered according to DIN ISO 16016 | | | |
| (k) | scale: | 3:8 | surface: |
| (l) | date: | 25-02-2019 | name: |
| (m) | drawn: | HB | description: |
| (n) | proven: | 00-00-0000 | 00 |
| (o) | Fulterer | | material, semi finished parts: |
| (p) | Fulterer AG & Co KG | | STEEL |
| (q) | A-6890 Lustenau / Austria | | (technical requirements Fulterer) |
| (r) | Fulterer AG | | description: |
| (s) | CH-9430 St. Margrethen | | SIDE MOUNT OVER EXTENSION INTERLOCK DRAWER SLIDE WITH DRAWER DISCONNECT |
| (t) | drawing number: | | drawing number: |
| (u) | 5219.400-GA.T037 | | 5219.400-GA.T037 |
| (v) | replaces version date: | | replaces version date: |
| (w) | changes | date | na. |
| (x) | | | |
| (y) | | | |
| (z) | | | |