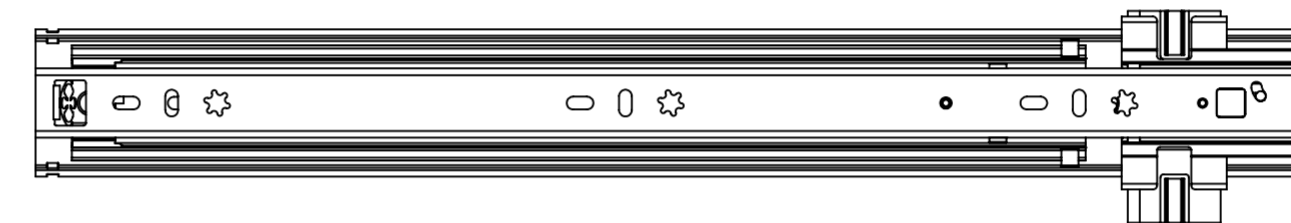
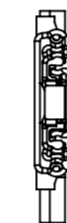
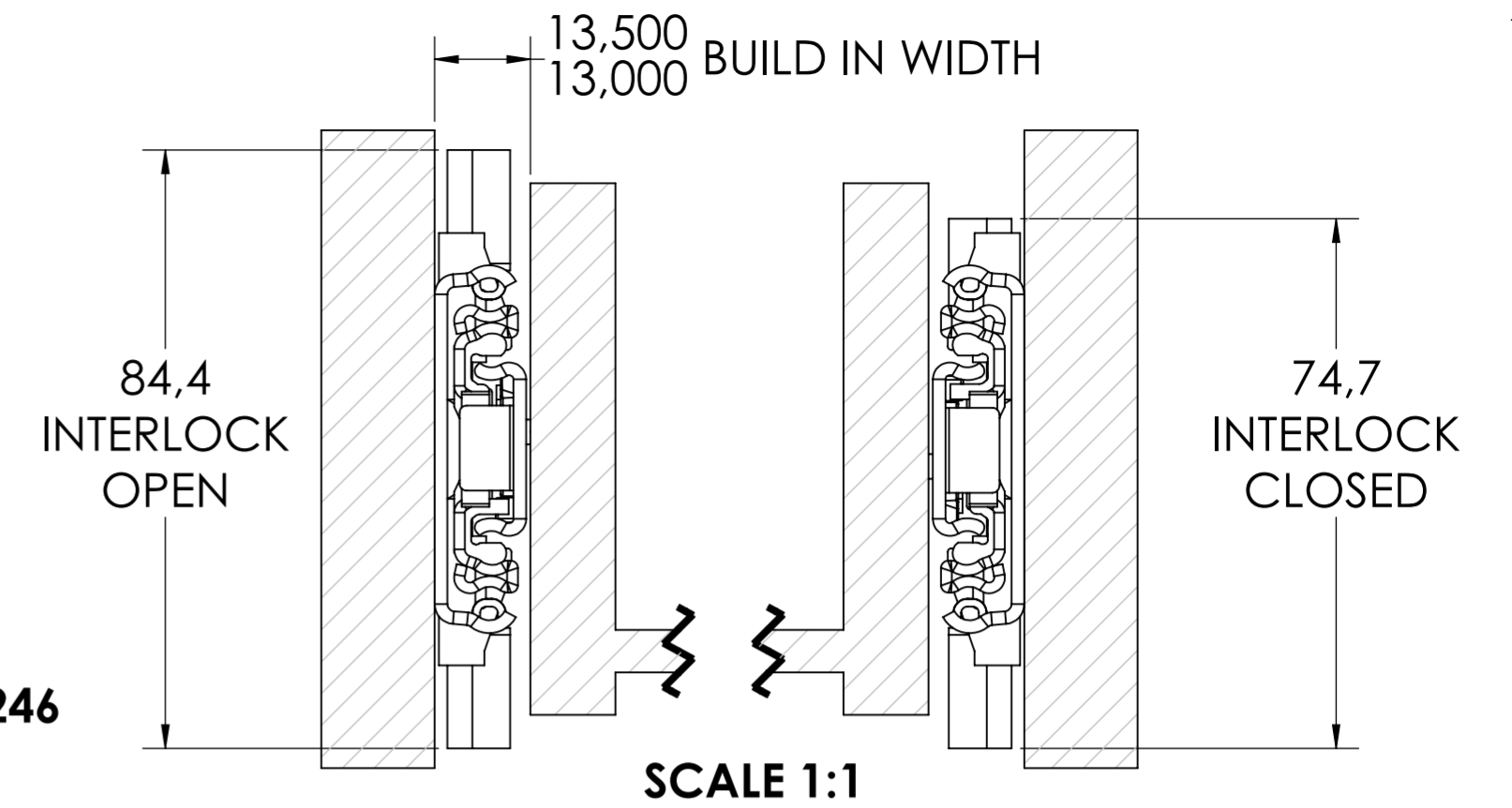


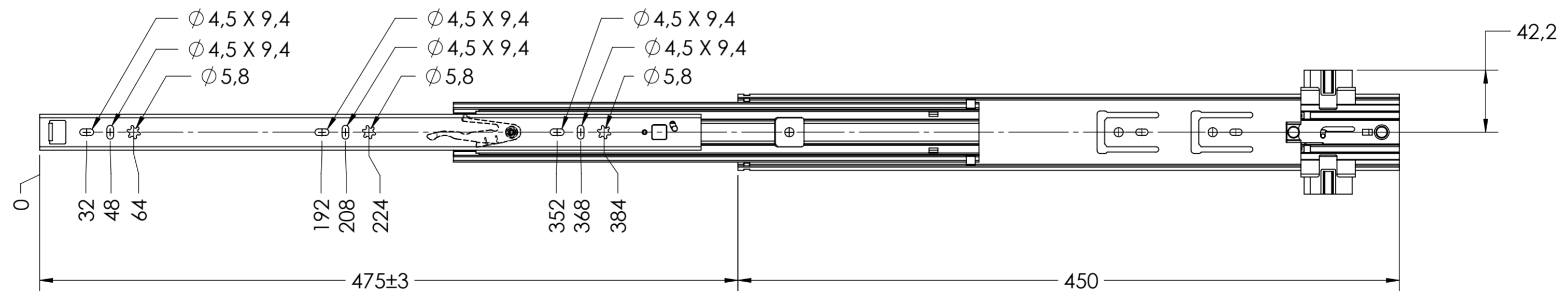
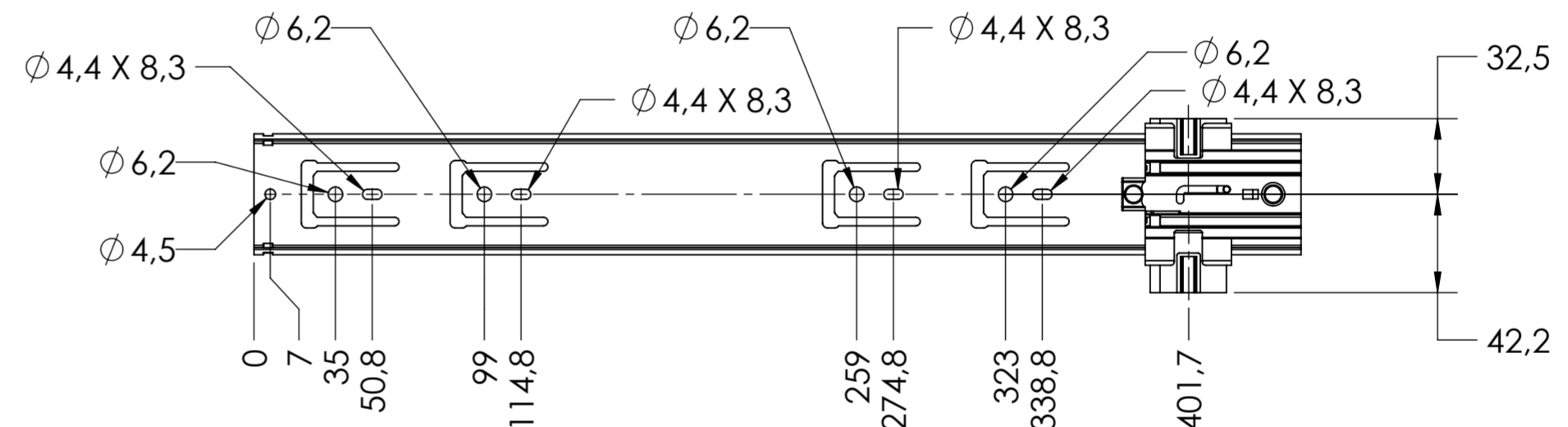
SCALE 1:4  
NOTE: 450mm LENGTH SHOWN

RECOMMENDED MINIMUM DISTANCE BETWEEN SLIDES "A" = 90mm

ROD LENGTH  $L^{+0.5} = A-44$   
 $\phi$  5mm ROD  
**FULTERER PART NUMBER 400246**



**CABINET MOUNTING HOLES**



**RECOMMENDED HARDWARE:**

CABINET- M4 BUTTON HEAD OR #8 TRUSS HEAD SCREW

DRAWER- M4 BUTTON HEAD OR #8 TRUSS HEAD SCREW

INTERLOCK-  $\phi$  5mm ALUMINUM ROD **FULTERER PART NUMBER 400246**

|   |         |  |          |
|---|---------|--|----------|
| general tolerances  |         | DIN ISO 128-30<br>missing dimensions see 3D<br>= theor. intersection |          |
| ISO 2768-m  |         |  |          |
| This drawing remains our property and may not be multiplied neither be disclosed to third parties (§§1,3 and 5 from the copyright Act (UrhG))<br>covered according to DIN ISO 16016 |         |  |          |
| (k)   |         | scale:   | surface: |
| (l)   |         | 3:8  |          |
| (m)   |         | date   | name     |
| (n)   |         | drawn 25-02-2019   | HB       |
| (o)   |         | proven 00-00-0000  | 00       |
| (p)   |         | <b>Fulterer</b>  |          |
| (q)   |         |  |          |
| (r)   |         | Fulterer AG & Co KG<br>A-6890 Lustenau / Austria                     |          |
| (s)   |         | Fulterer AG<br>CH-9430 St. Margrethen                                |          |
| (t)   |         | drawing number:<br><b>5219.450-GA.T037</b>                           |          |
| (u)   |         | replaces version date:   |          |
| (v)   |         |  |          |
| (w)   |         |  |          |
| (x)   |         |  |          |
| (y)   |         |  |          |
| (z)   |         |  |          |
| ind.  | changes | date   | na.      |