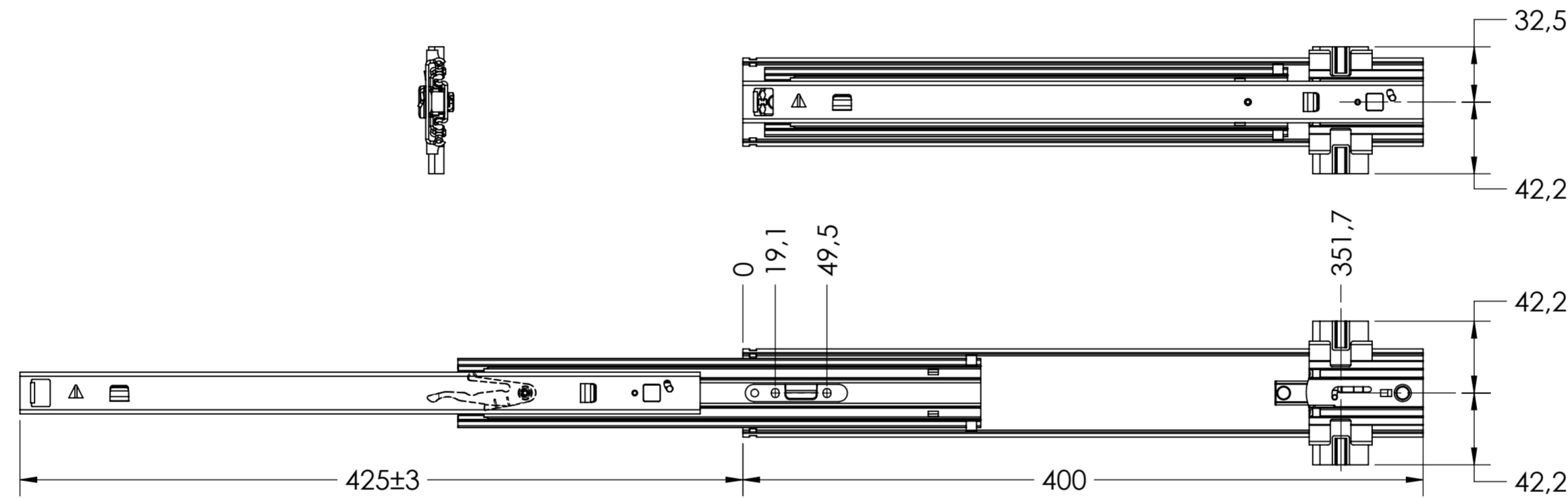
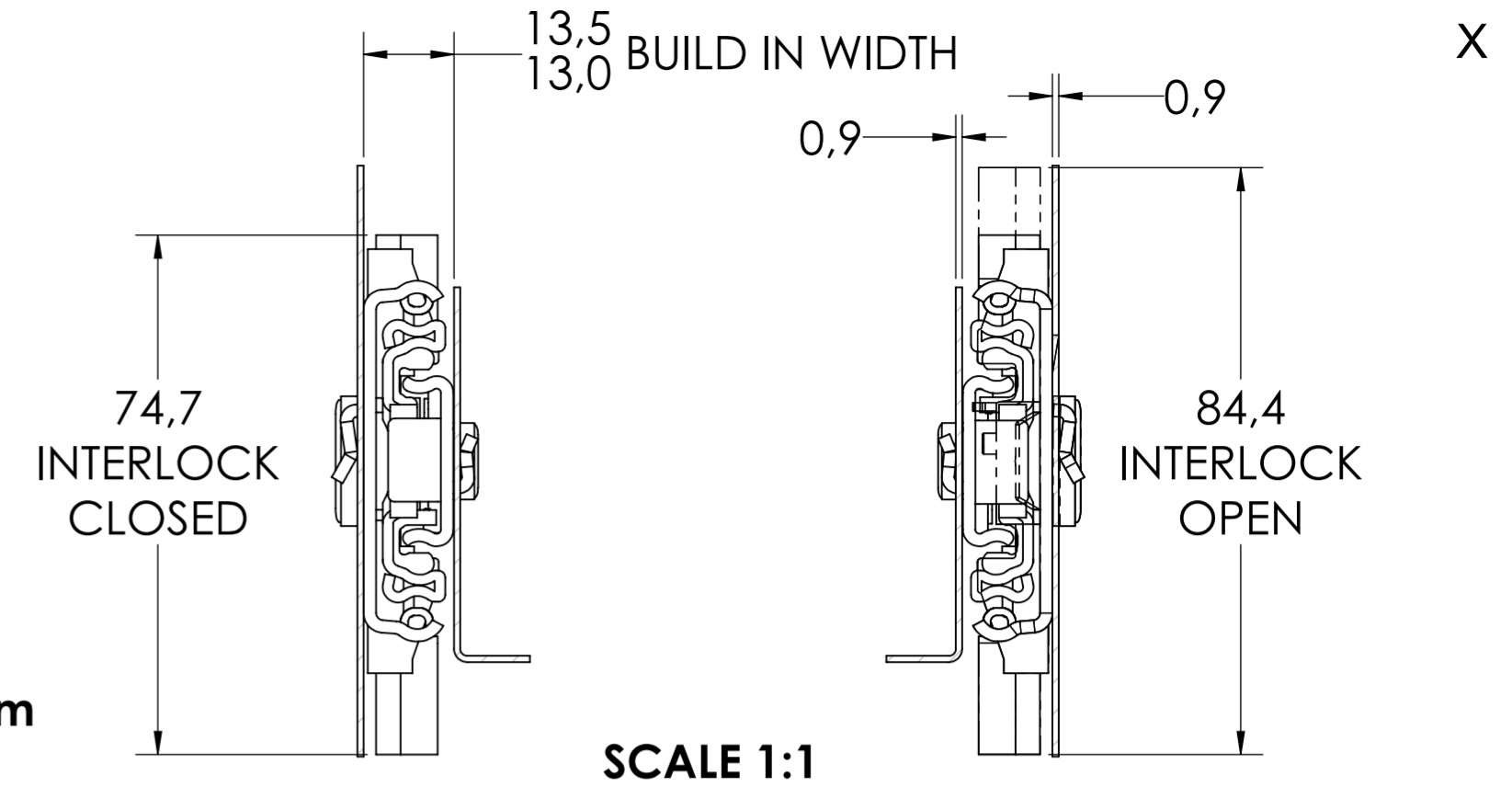


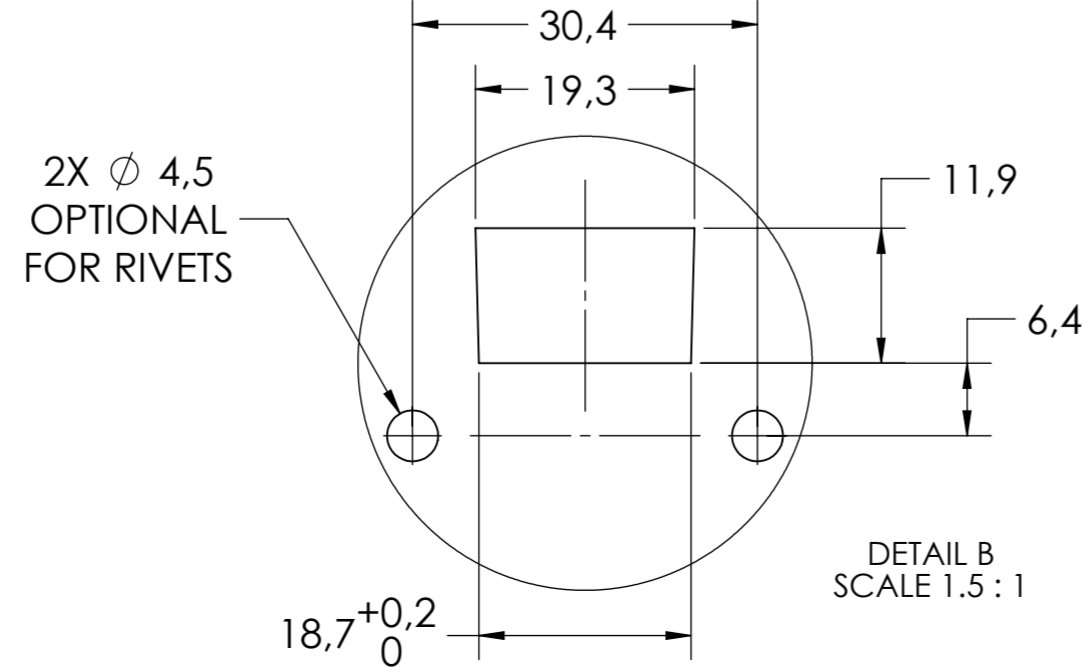
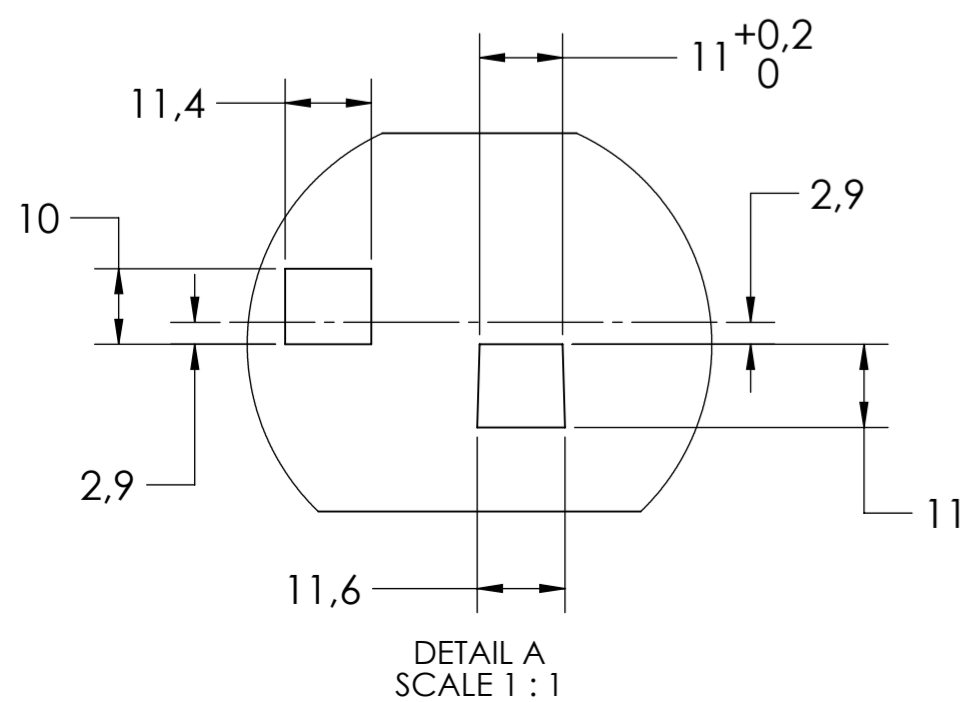
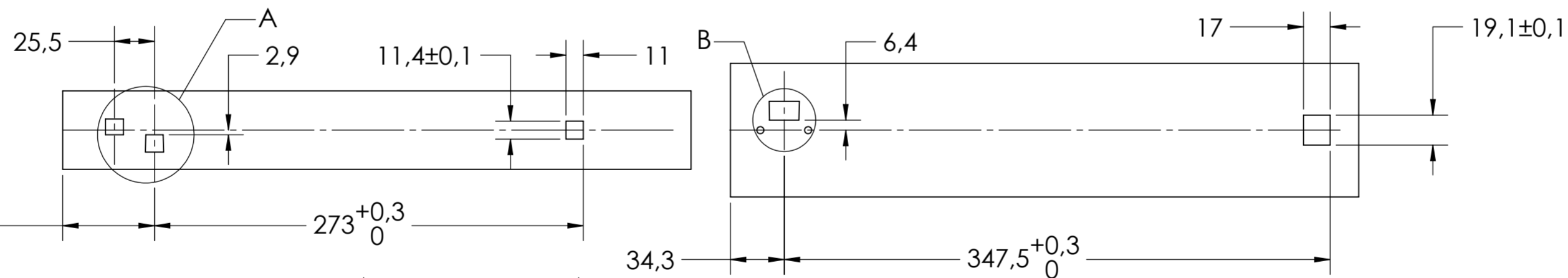
ROD LENGTH $L^{+0.5} = A-44$
 ϕ 5mm ROD
FULTERER PART NUMBER 400246

RECOMMENDED MIN. DISTANCE "A" = 90mm



DRAWER MOUNTING CUTOUTS

CABINET MOUNTING CUTOUTS



general tolerances		DIN ISO 128-30 missing dimensions see 3D = theor. intersection	
ISO 2768-m			
This drawing remains our property and may not be multiplied neither be disclosed to third parties (§§1,3 and 5 from the copyright Act (UrhG)) covered according to DIN ISO 16016			
scale: 1:3		surface: A2	
drawn: 30-07-2019		name: HB	
proven: 00-00-0000		00	
Fulterer		material, semi finished parts: STEEL (technical requirements Fulterer)	
description:		SIDE MOUNT OVER EXTENSION SMT (0.9) INTERLOCKING SLIDE WITH DRAWER DISCONNECT	
drawing number:		5219.400-GA.T119	
replaces version date:			
Fulterer AG & Co KG A-6890 Lustenau / Austria		Fulterer AG CH-9430 St. Margrethen	
ind.	changes	date	na.