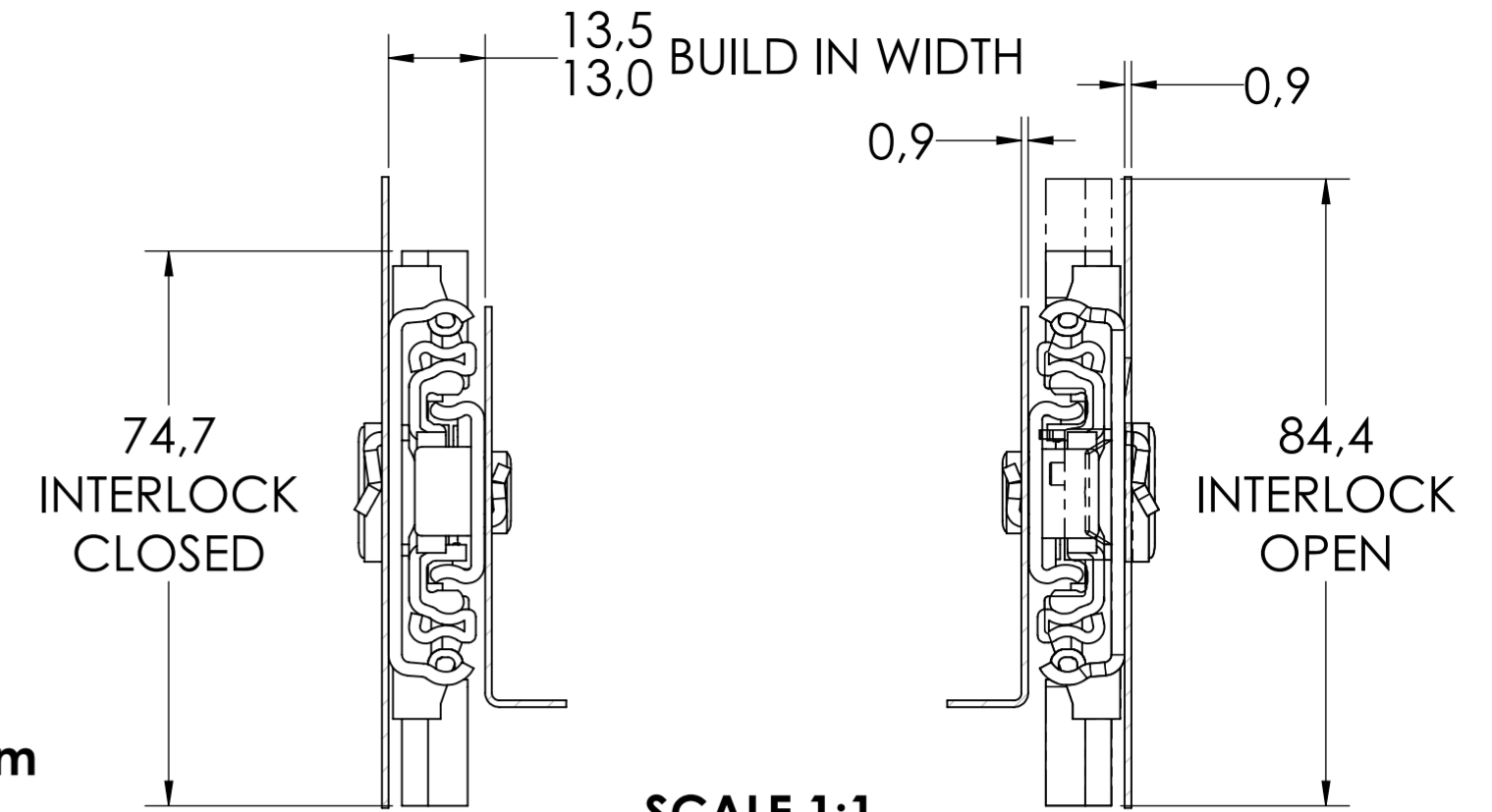


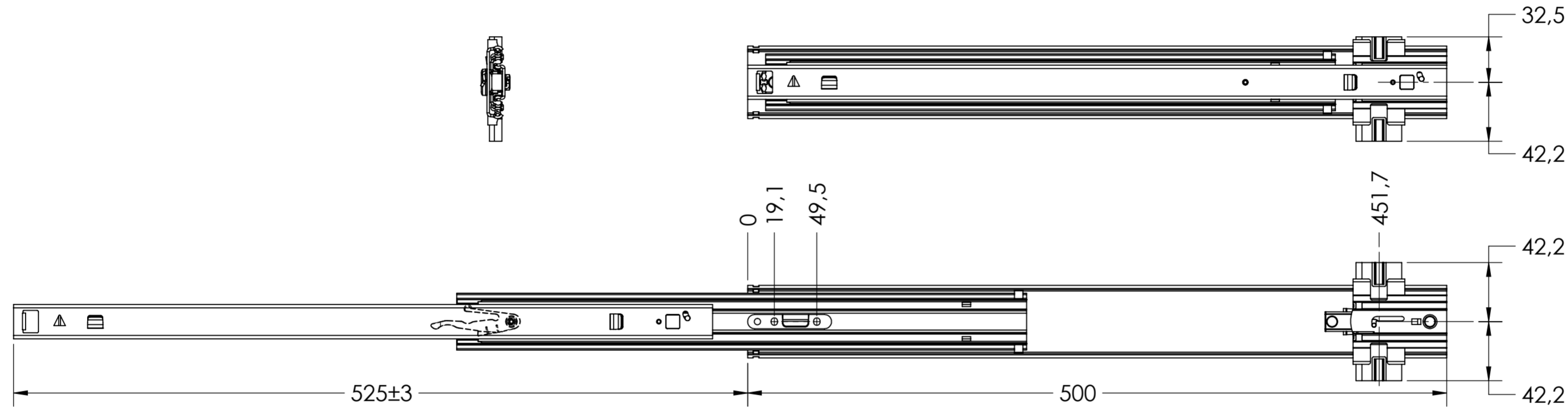
SCALE 1:4
NOTE: 400MM LENGTH SHOWN

ROD LENGTH $L^{+0.5} = A-44$
 ϕ 5mm ROD
FULTERER PART NUMBER 400246

RECOMMENDED MIN. DISTANCE "A" = 90mm

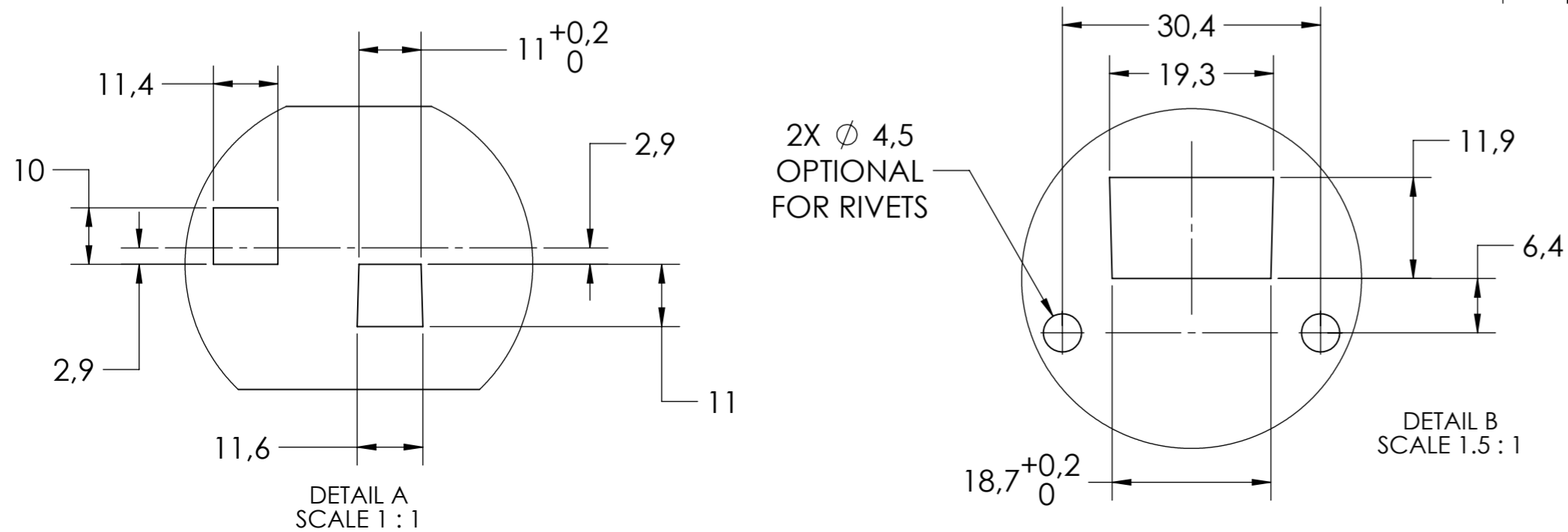
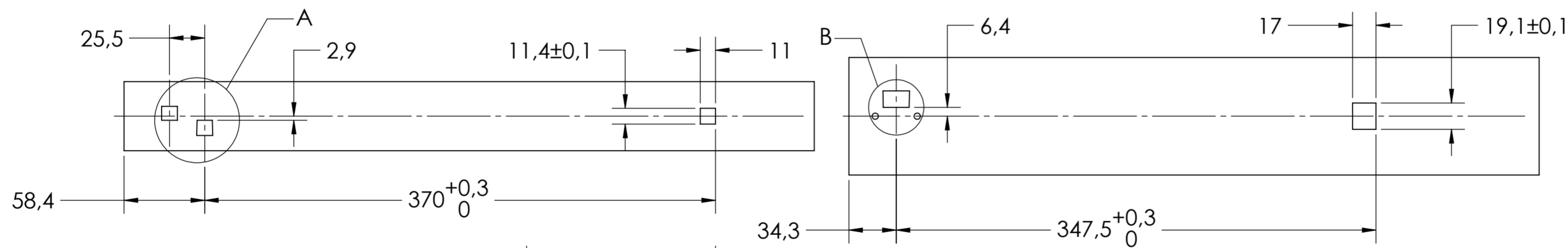


SCALE 1:1



DRAWER MOUNTING CUTOUTS

CABINET MOUNTING CUTOUTS



| | | | |
|--|---------|---|------------|
| general tolerances | | DIN ISO 128-30 missing dimensions see 3D = theor. intersection | |
| ISO 2768-m | | | |
| This drawing remains our property and may not be multiplied neither be disclosed to third parties (§§1,3 and 5 from the copyright Act (UrhG)) covered according to DIN ISO 16016 | | | |
| (k) | | scale: | 1:3 |
| (l) | | surface: | A2 |
| (m) | | date | 30-07-2019 |
| (n) | | name | HB |
| (o) | | drawn | 00-00-0000 |
| (p) | | proven | 00 |
| (q) | | Fulterer | |
| (r) | | | |
| (s) | | Fulterer AG & Co KG A-6890 Lustenau / Austria | |
| (t) | | Fulterer AG CH-9430 St. Margrethen | |
| (u) | 0 | 00-00-0000 | 0 |
| (v) | | | |
| (w) | | | |
| (x) | | | |
| (y) | | | |
| (z) | | | |
| ind. | changes | date | na. |
| material, semi finished parts: | | STEEL (technical requirements Fulterer) | |
| description: | | SIDE MOUNT OVER EXTENSION SMT (0.9) INTERLOCKING SLIDE WITH DRAWER DISCONNECT | |
| drawing number: | | 5219.500-GA.T119 | |
| replaces version date: | | | |