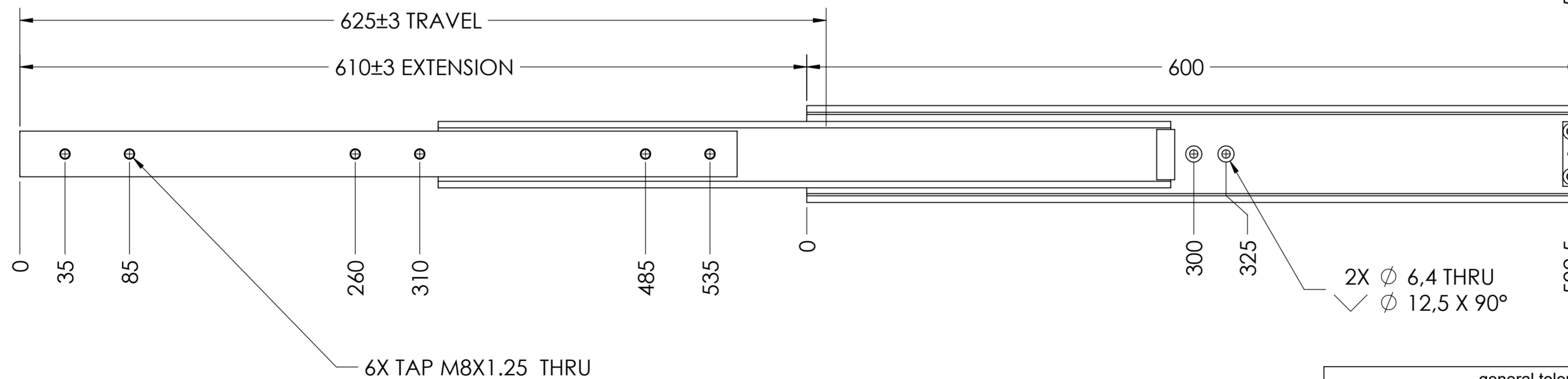
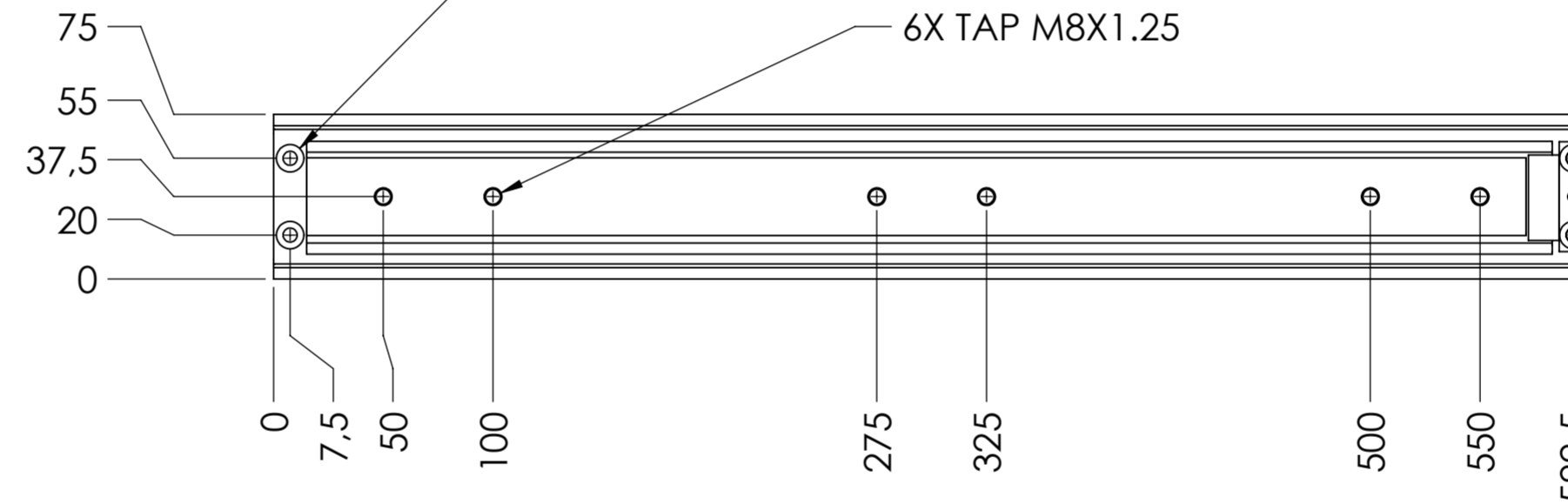


SCALE 1:1

2X ϕ 6,4 THRU
 ϕ 12,5 X 90° EACH END



RECOMMENDED HARDWARE:
 CABINET- M6 FLATHEAD SCREWS

DRAWER- M8x1.25 SCREWS

general tolerances		DIN ISO 128-30 missing dimensions see 3D = theor. intersection	
ISO 2768-m			
This drawing remains our property and may not be multiplied neither be disclosed to third parties (§§1,3 and 5 from the copyright Act (UrhG)) covered according to DIN ISO 16016			
(k) (l) (m) (n) (o) (p) (q) (r) (s) (t) (u) (v) (w) (x) (y) (z)	scale:	1:3	surface:
	date:	20-07-2018	name:
	drawn:	HB	description:
	proven:	00-00-0000	00
			material, semi finished parts: STEEL (technical requirements Fulterer)
Fulterer AG & Co KG A-6890 Lustenau / Austria Fulterer AG CH-9430 St. Margrethen		drawing number: 5426.600-GA.T092 replaces version date:	
ind.	changes	date	na.