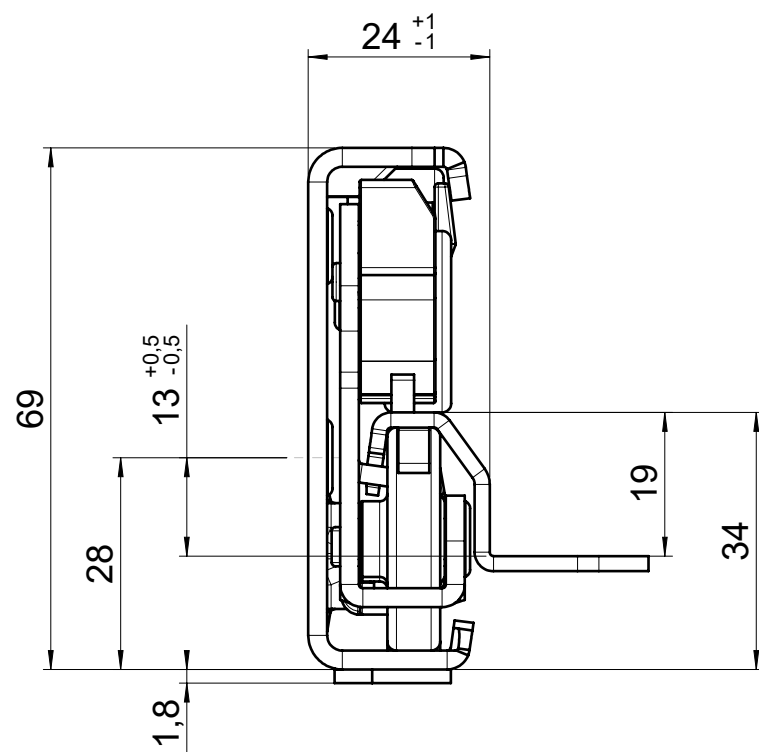
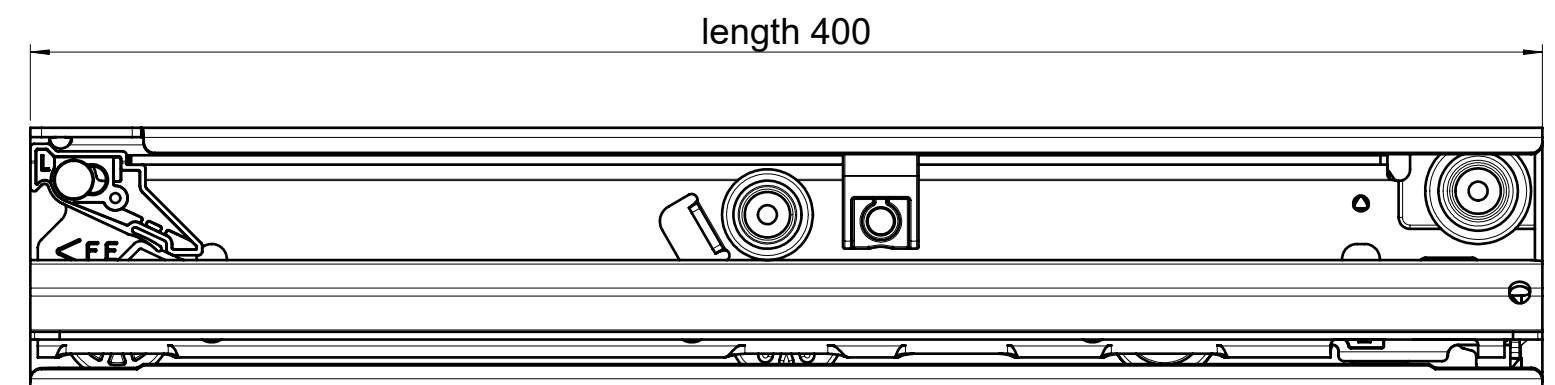
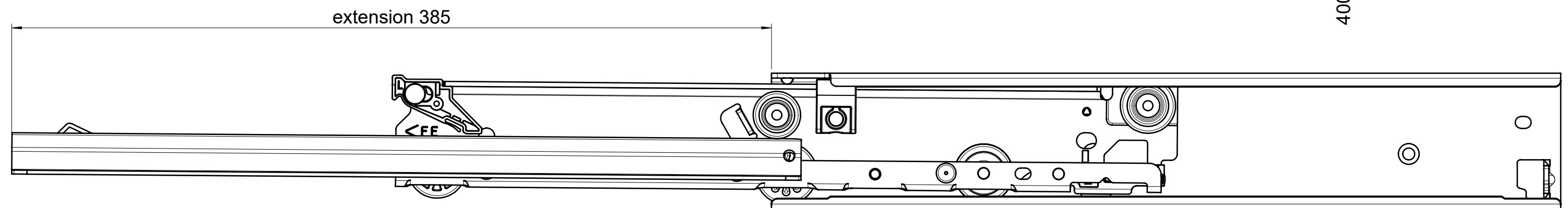
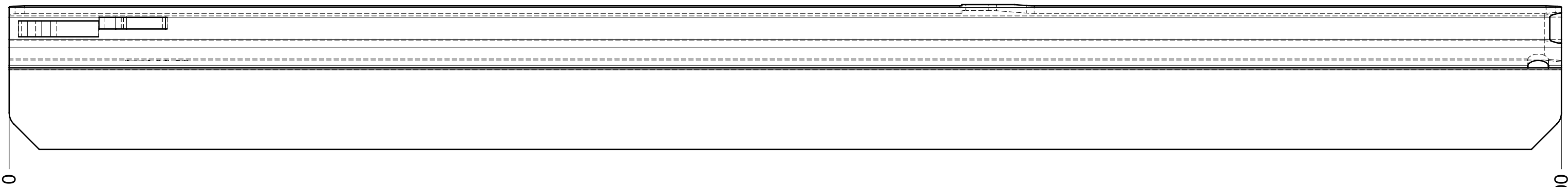
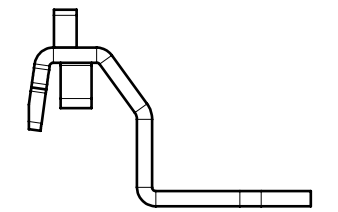
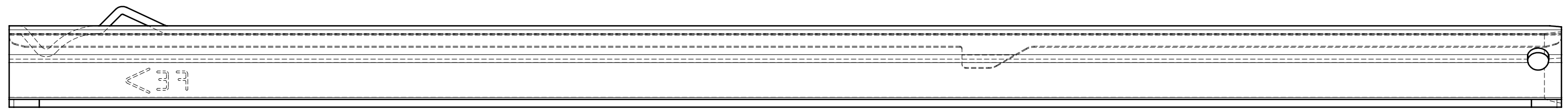
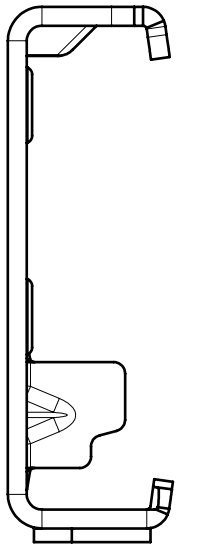
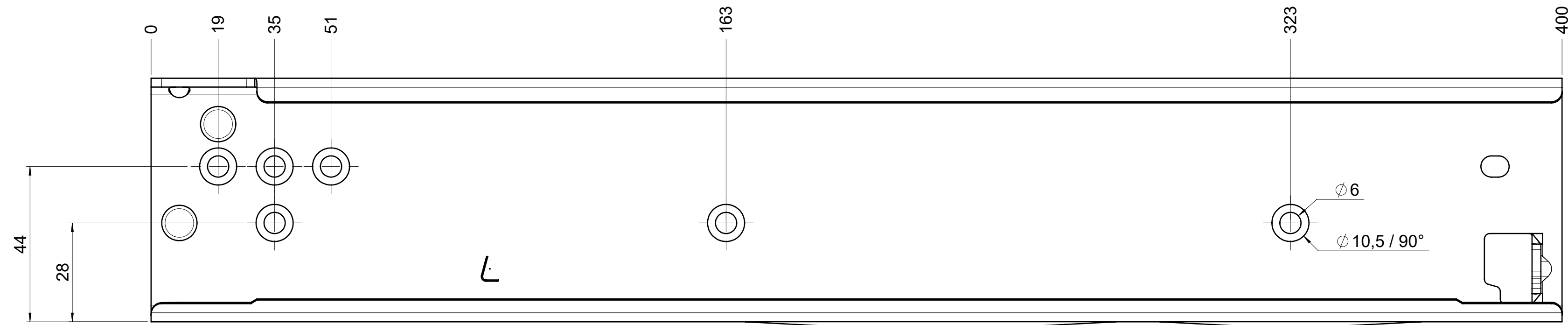


CS# 7100.400-GA.0000

drawn left (right mirrorimage)



final approval

customer name:

signed by:

date:

all dimensions in mm

DIN ISO 128-30
missing dimensions see 3D
= theor. intersection

This drawing remains our property and may not be multiplied neither be disclosed to third parties (§§1,3 and 5 from the copyright Act (UrhG)) covered according to DIN ISO 16016				scale:	surface:	material, semi finished parts:	A2
(k)				1:1		CS	
(l)				drawn	date	name	
(m)				14-12-2022	BM	(technical requirements Fulterer)	
(n)				proven	00-00-0000	00	
(o)				Fulterer		description: FR 7100 / 40 CS EN (mm) progressive-action full-extension drawerslide / bottom mount	drawing number: CS# 7100.400-GA.0000
(p)							
(q)				Fulterer AG & Co KG A-6890 Lustenau / Austria			
(r)				Fulterer AG CH-9430 St. Margrethen			
(s)				ind.	changes	date	na.