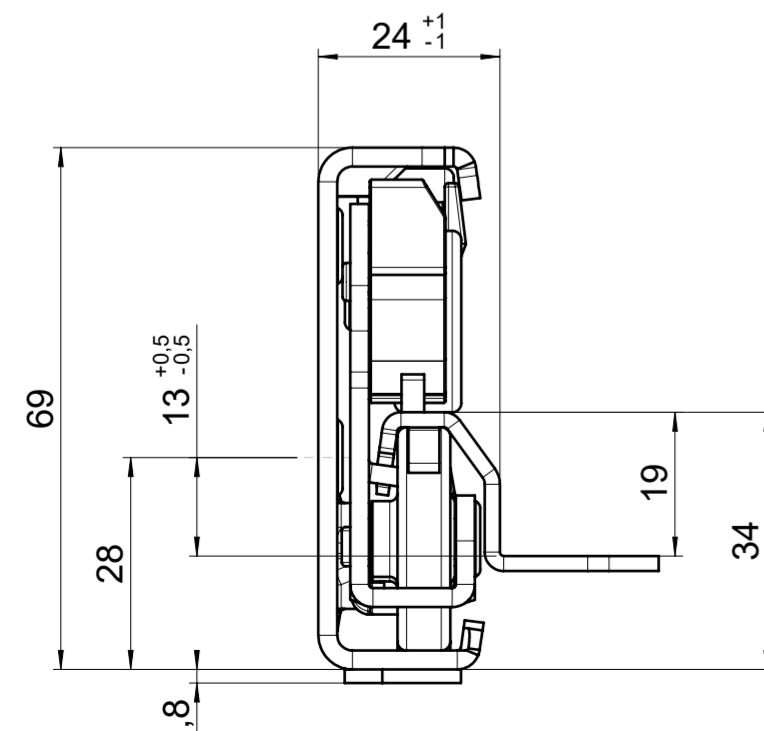
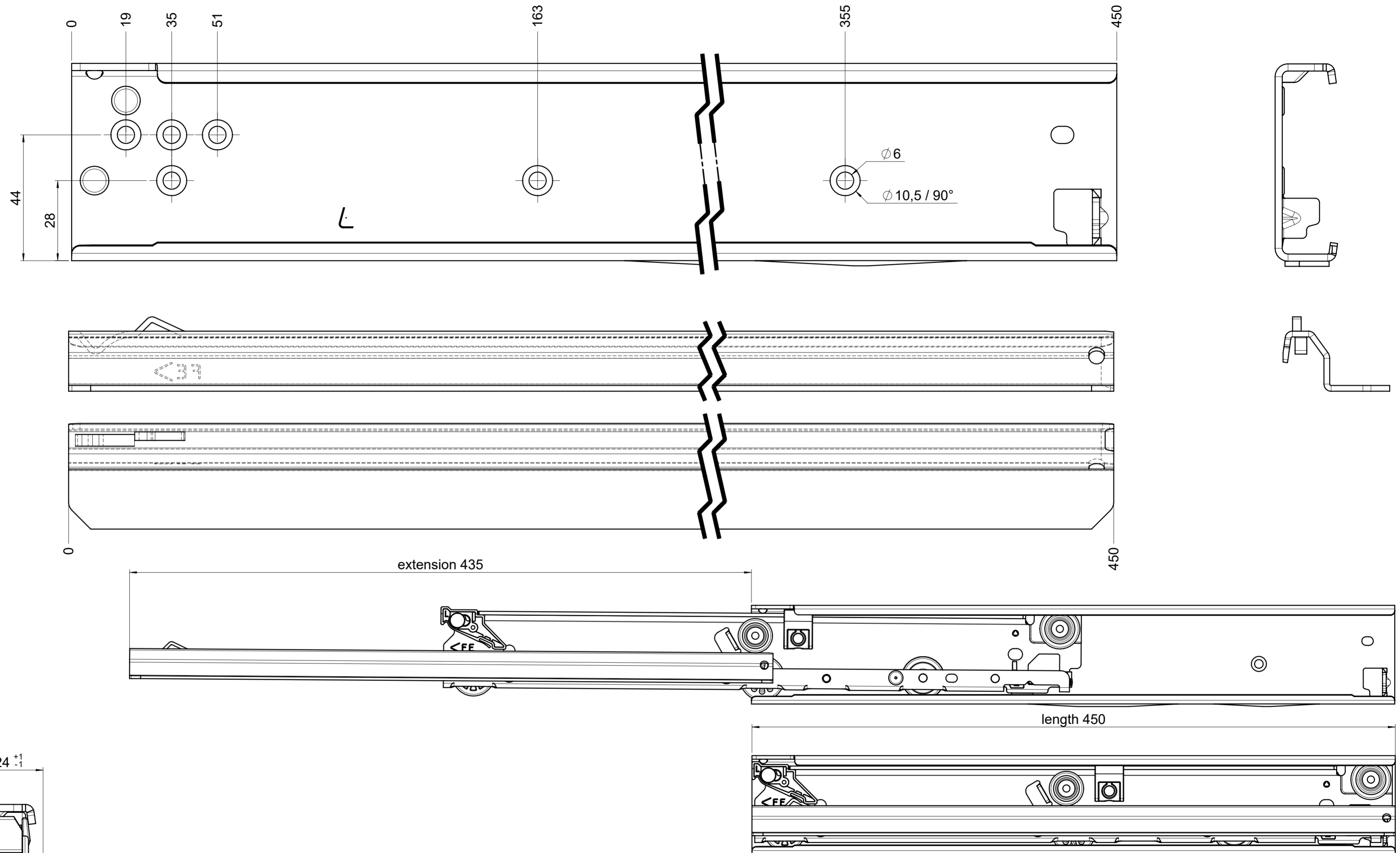


drawn left (right mirrorimage)



final approval

customer name:

signed by:

date:

all dimensions in mm

DIN ISO 128-30
missing dimensions see 3D
= theor. intersection

This drawing remains our property and may not be multiplied neither be disclosed to third parties (§§1,3 and 5 from the copyright Act (UrhG)) covered according to DIN ISO 16016

(k) (l) (m) (n) (o) (p) (q) (r) (s) (t) (u) (v) (w) (x) (y) (z)	scale:	1:1	surface:	material, semi finished parts:	A2
	drawn	14-12-2022	name	CS	
	proven	00-00-0000	BM	(technical requirements Fulterer)	
			00	description:	
				FR 7100 / 45 CS EN (mm)	
				progressive-action full-extension	
				drawerslide / bottom mount	
				drawing number:	
				CS# 7100.450-GA.0000	
				replaces version date:	
ind.	changes	date	na.		