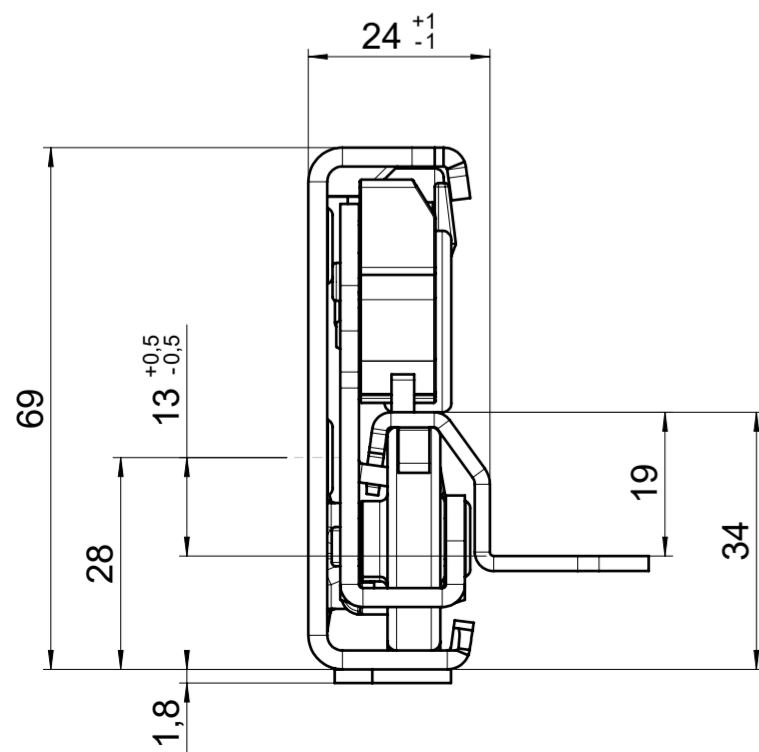
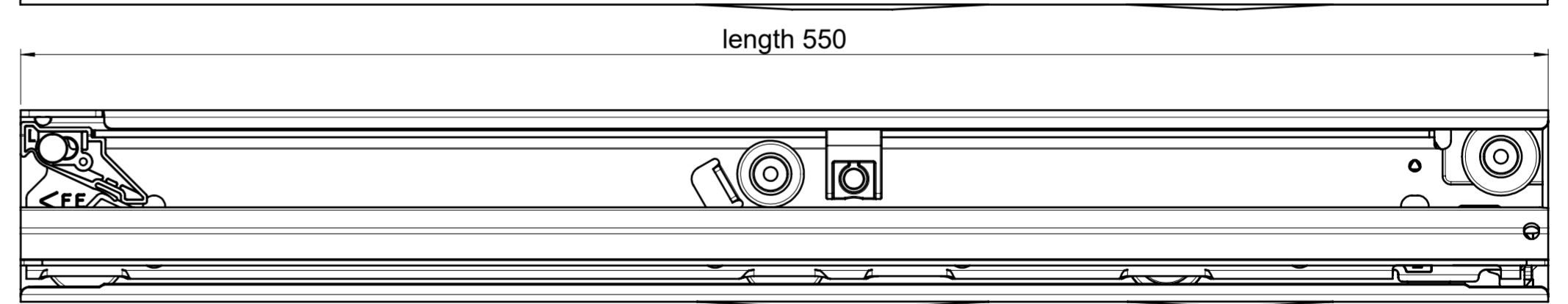
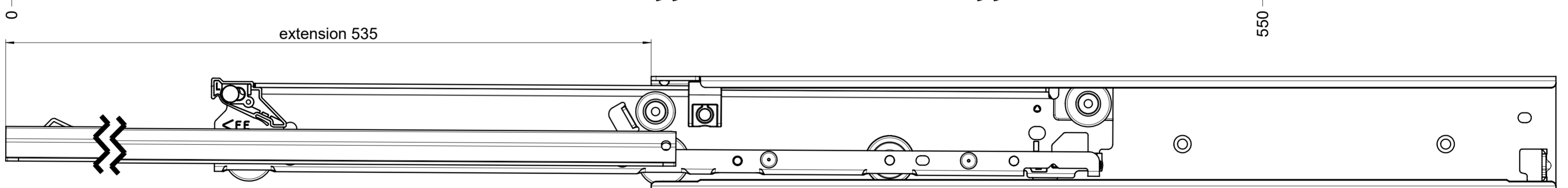
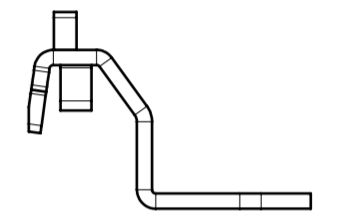
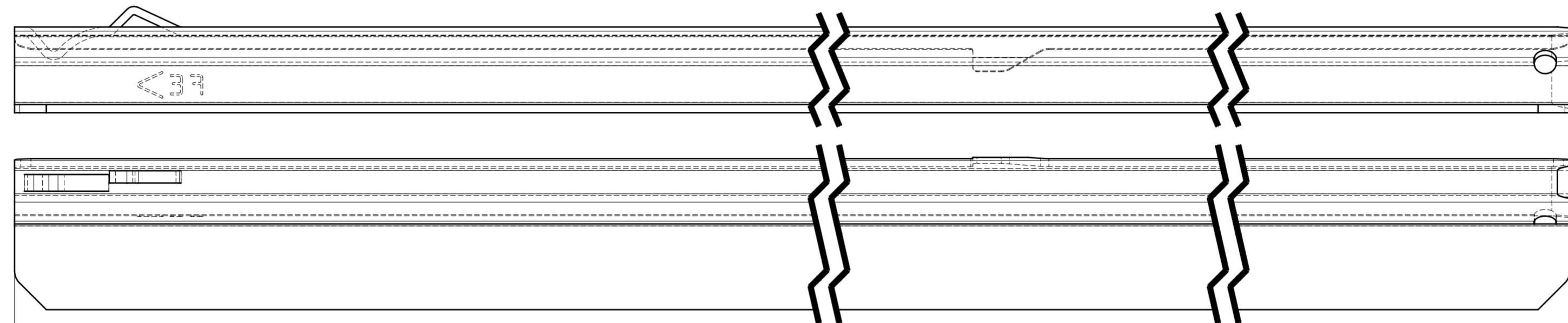
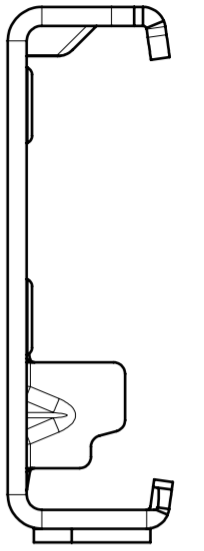
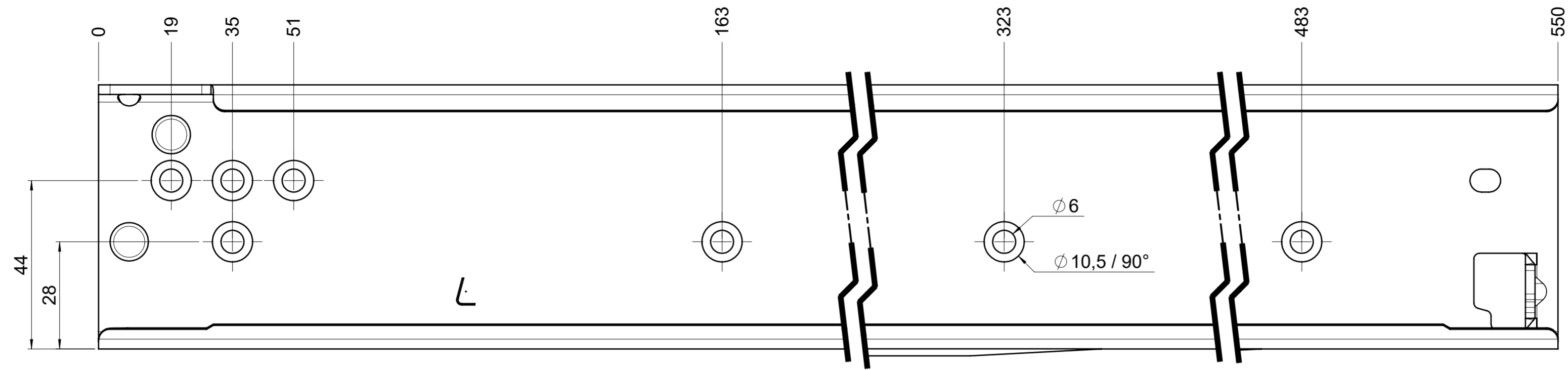


# CS# 7100.550-GAV.L095

drawn left (right mirrorimage)



**final approval**

customer name:

signed by:

date:

**all dimensions in mm**

DIN ISO 128-30  
missing dimensions see 3D  
= theor. intersection

This drawing remains our property and may not be multiplied neither be disclosed to third parties (§§1,3 and 5 from the copyright Act (UrhG)) covered according to DIN ISO 16016				scale: 1:1	surface:	material, semi finished parts: CS (technical requirements Fulterer)
(k)				date	name	description: FR 7100 / 55 CS EN (mm) progressive-action full-extension drawerslide / bottom mount HR
(l)				drawn 14-12-2022	BM	
(h)				proven 00-00-0000	00	
(g)				<b>Fulterer</b>		drawing number: CS# 7100.550-GAV.L095
(f)						
(e)				Fulterer AG CH-9430 St. Margrethen		replaces version date:
(d)				changes	date	na.
(c)						
(b)						
(a)						
ind.						