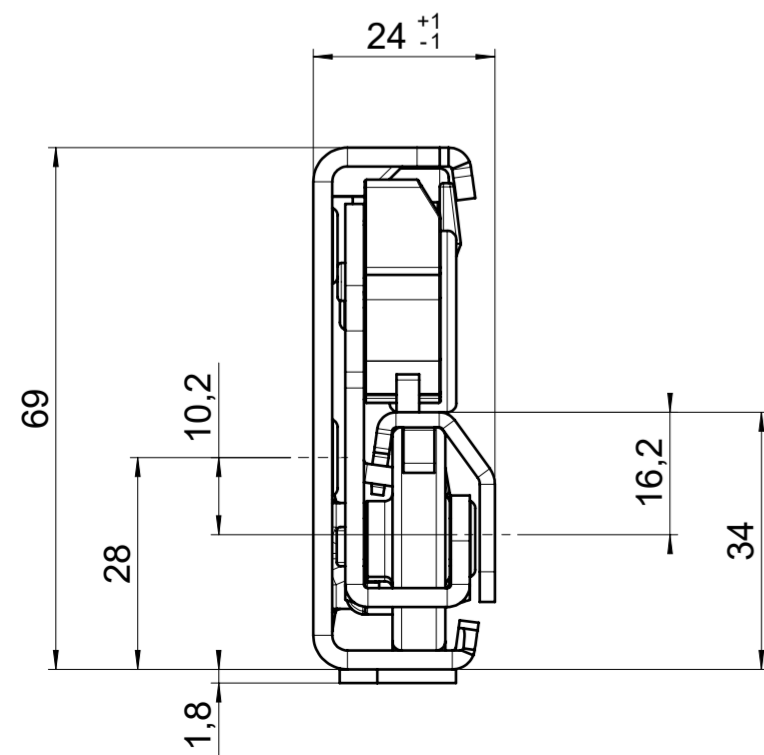
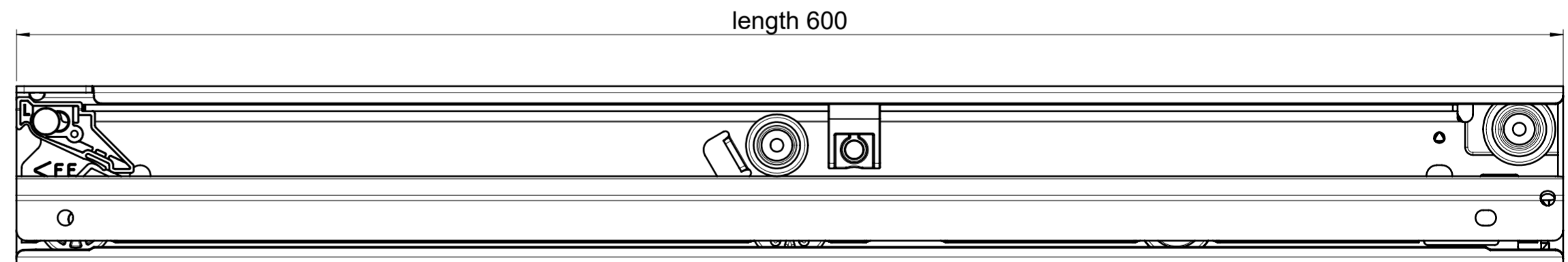
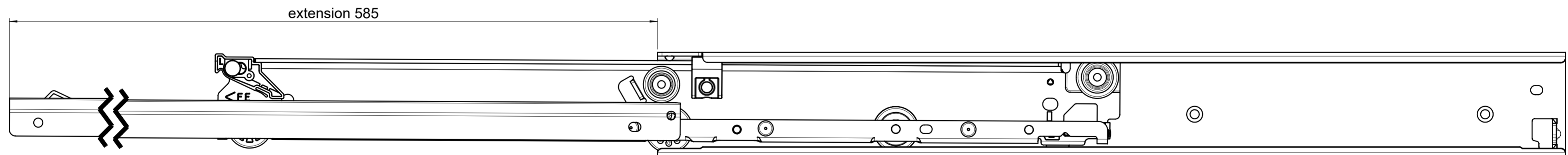
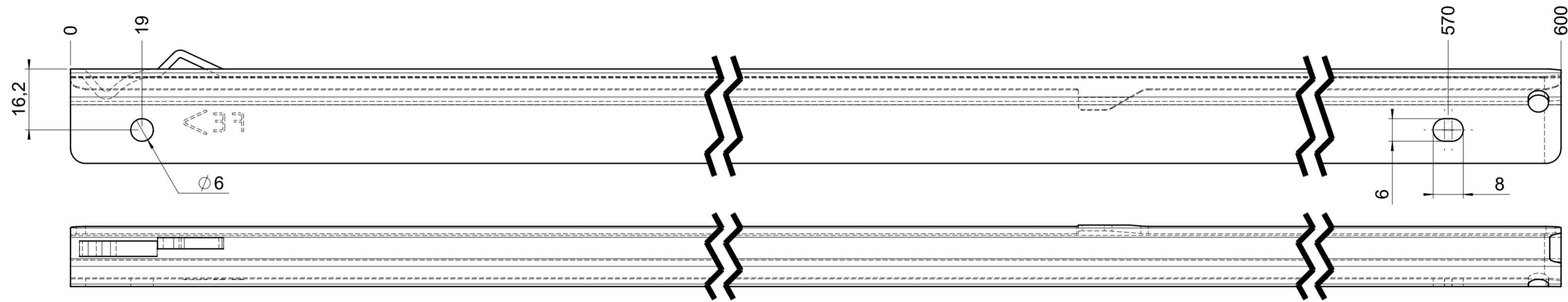
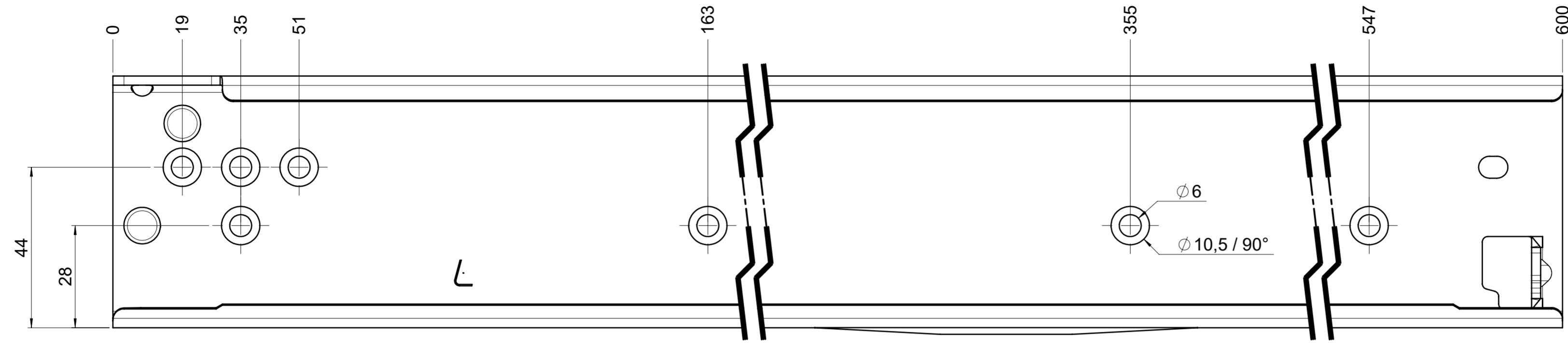


drawn left (right mirrorimage)



final approval

customer name:

signed by:

date:

all dimensions in mm

DIN ISO 128-30
missing dimensions see 3D
= theor. intersection

This drawing remains our property and may not be multiplied neither be disclosed to third parties (§§1,3 and 5 from the copyright Act (UrhG)) covered according to DIN ISO 16016

scale: 1:1		surface:		material, semi finished parts: CS (technical requirements Fulterer)	A2
drawn	05-01-2023	name	BM	description: FR 7101 / 60 CS EN (mm) progressive-action full-extension drawerslide / side mount	
proven	00-00-0000		00		
				drawing number: CS# 7101.600-GA.0000	
				replaces version date:	
ind.	changes	date	na.		