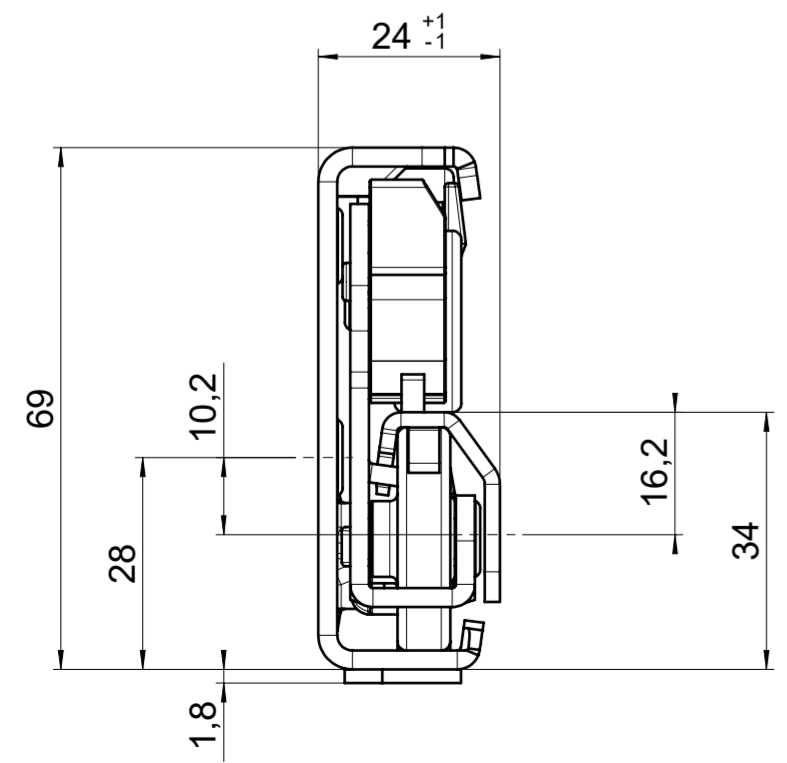
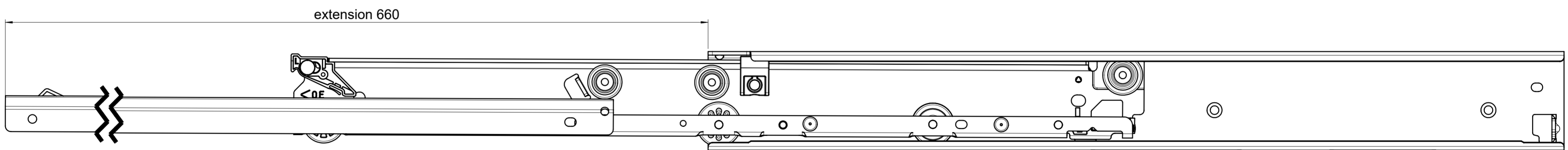
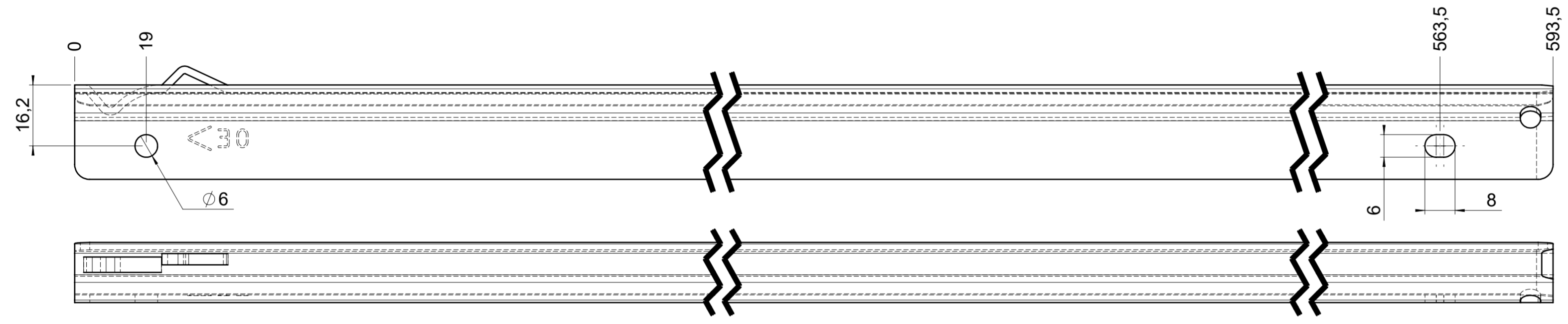
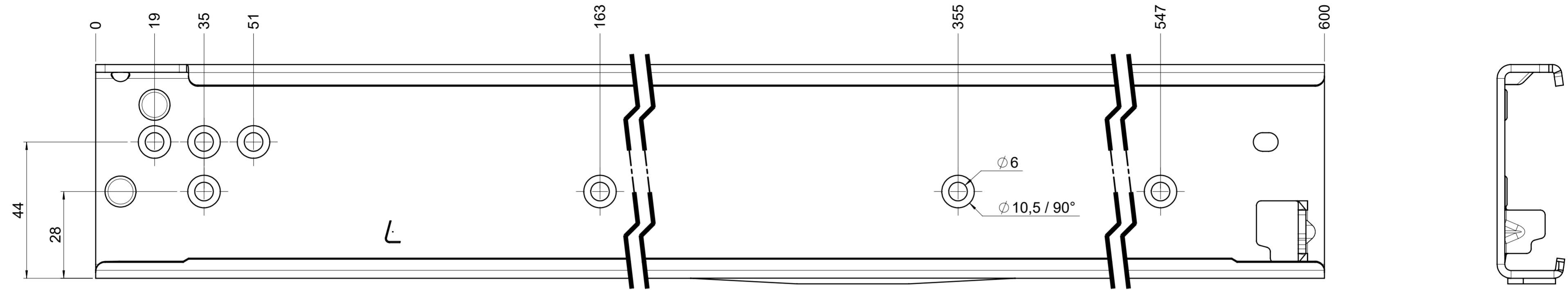


# CS# 7101.600-GAÜ.0000

drawn left (right mirrorimage)



**final approval**

customer name:

signed by:

date:

all dimensions in mm				DIN ISO 128-30 missing dimensions see 3D = theor. intersection	
This drawing remains our property and may not be multiplied neither be disclosed to third parties (§§1,3 and 5 from the copyright Act (UrhG)) covered according to DIN ISO 16016					
scale: 1:1		surface:		material, semi finished parts: A2	
drawn 05-01-2023		date 05-01-2023		name BM	
proven 00-00-0000		date 00-00-0000		name 00	
				description: CS (technical requirements Fulterer)	
				description: FR 7101 / 60 CS EN (mm) progressive-action over-extension drawerslide / side mount	
drawing number: CS# 7101.600-GAÜ.0000				replaces version date:	
Fulterer AG & Co KG A-6890 Lustenau / Austria		Fulterer AG CH-9430 St. Margrethen		drawing number: CS# 7101.600-GAÜ.0000	
ind.	changes	date	na.		