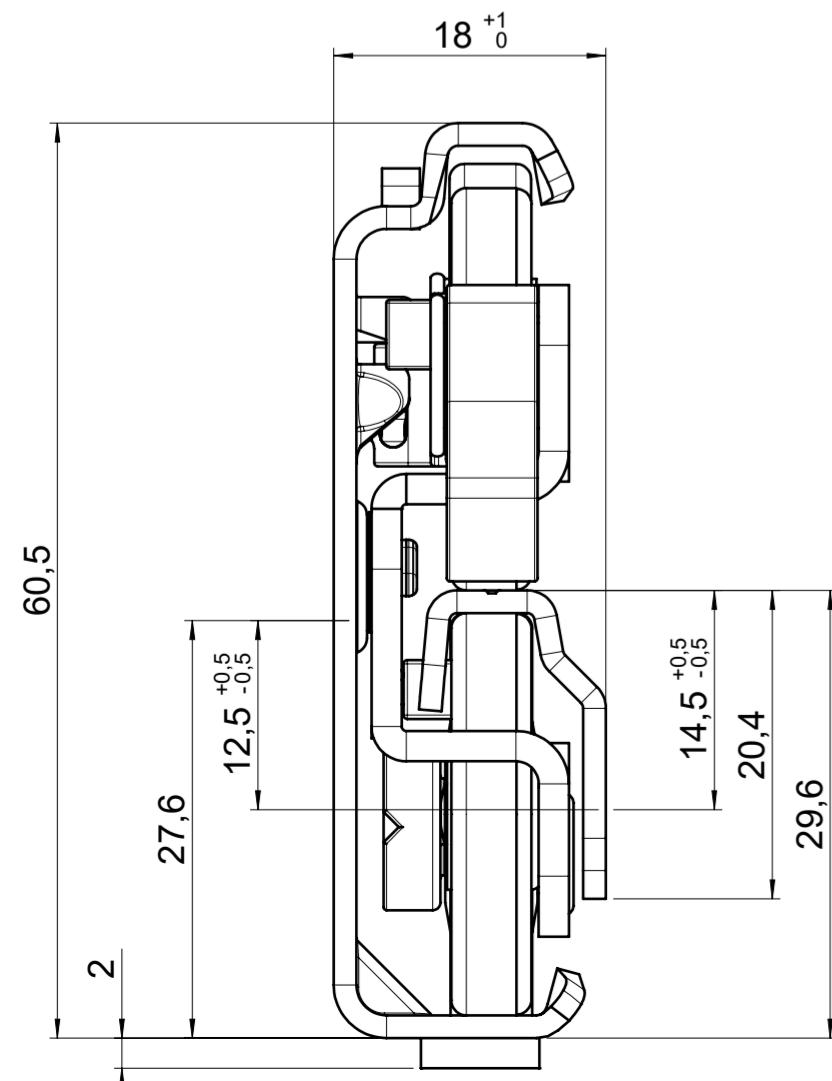
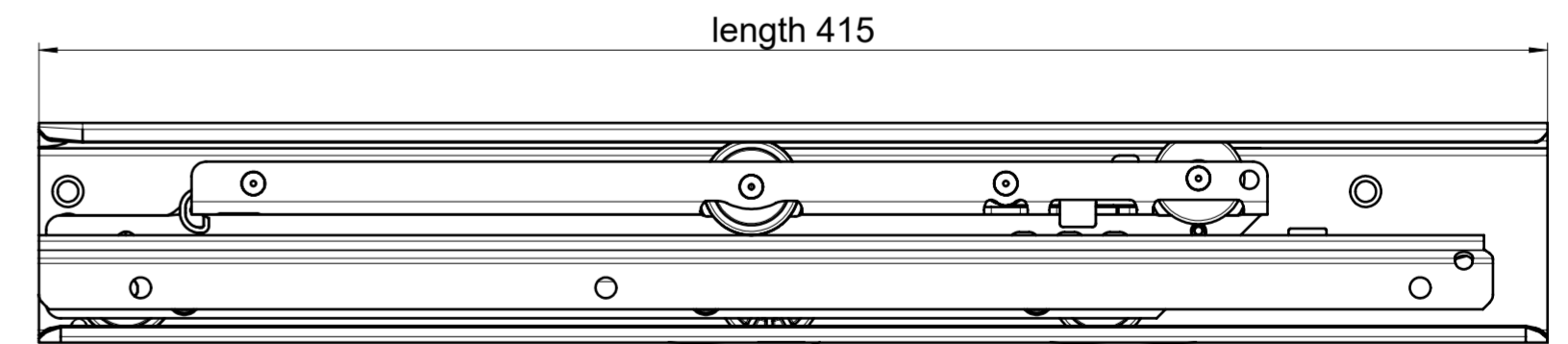
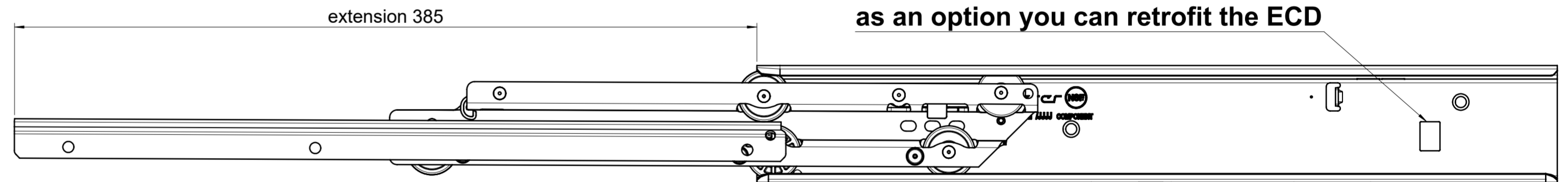
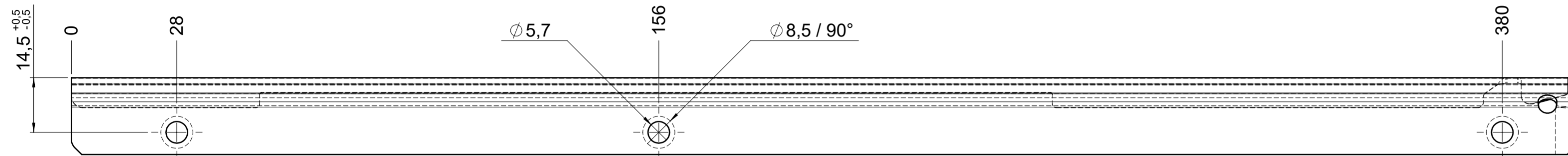
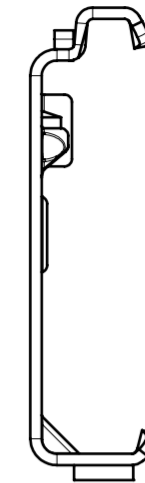
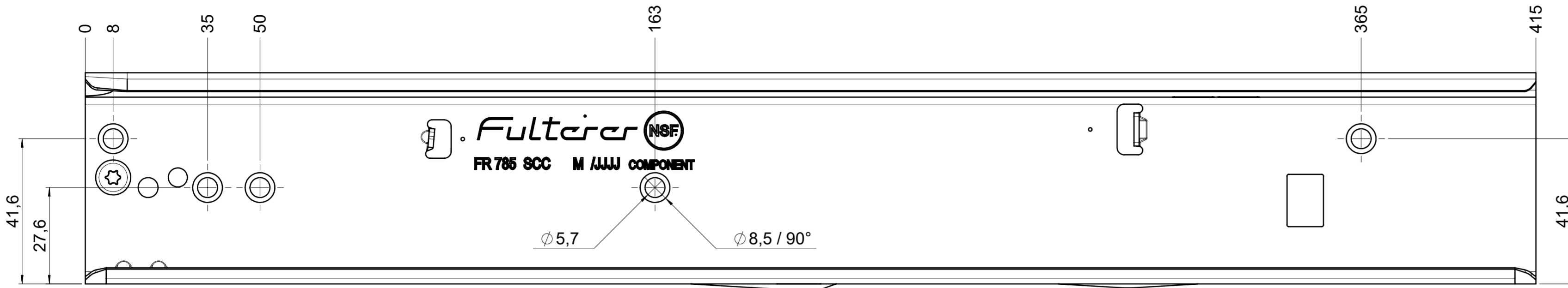


drawn left (right mirrorimage)



final approval

customer name:

signed by:

date:

all dimensions in mm

DIN ISO 128-30
missing dimensions see 3D
 = theor. intersection

This drawing remains our property and may not be multiplied neither be disclosed to third parties (§§1,3 and 5 from the copyright Act (UrhG)) covered according to DIN ISO 16016				scale: 1:1	surface:	material, semi finished parts: CS (technical requirements Fulterer)
(k)				drawn	date	name
(l)				proven	02-01-2023	ex pr
(m)						
(n)						
(o)						
(p)						
(q)						
(r)				Fulterer AG & Co KG A-6890 Lustenau / Austria Fulterer AG CH-9430 St. Margrethen		
(s)				drawing number: CS# 785.400-GA.L501		
(t)				replaces version date:		
(u)				changes	date	na.