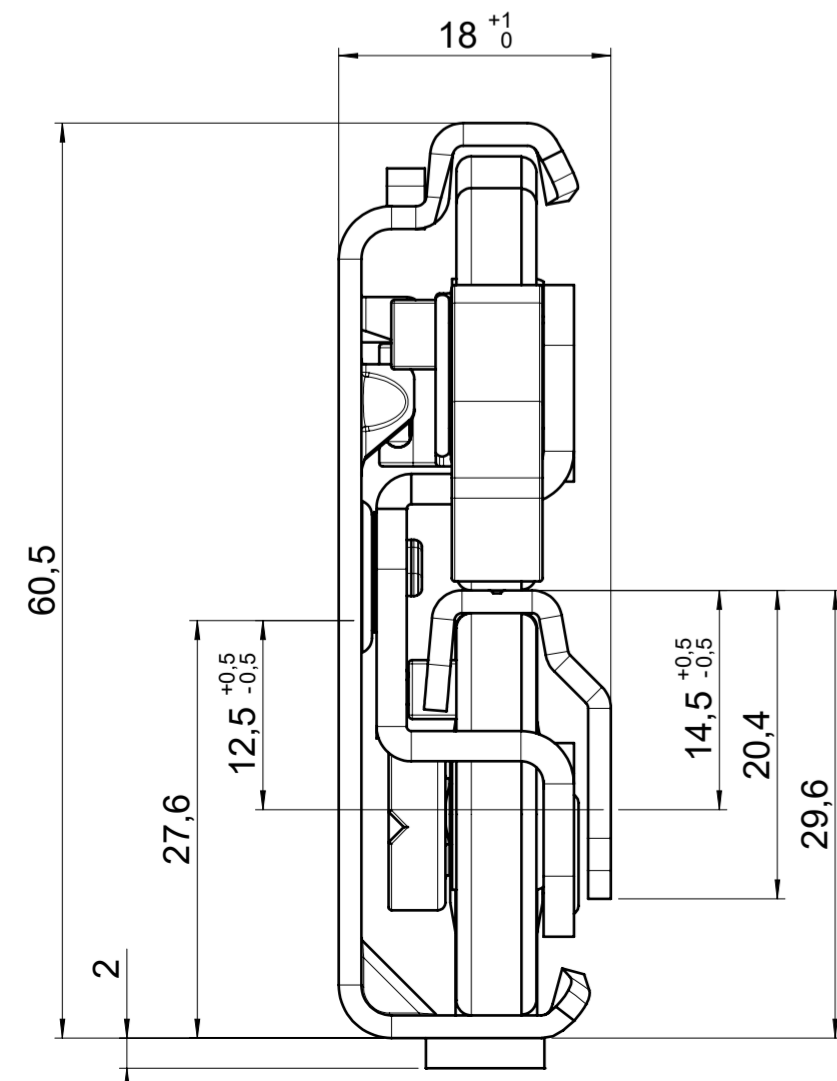
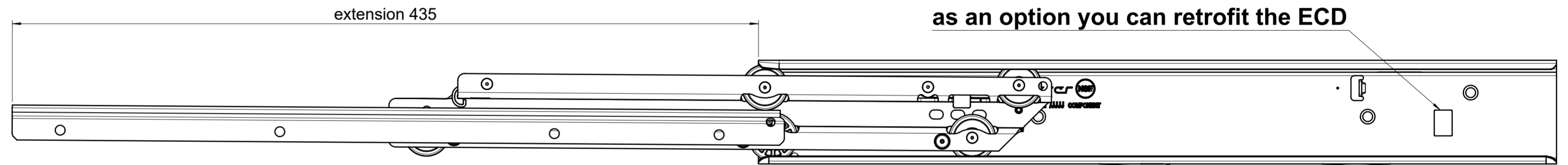
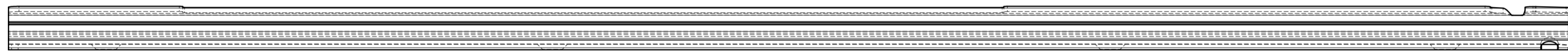
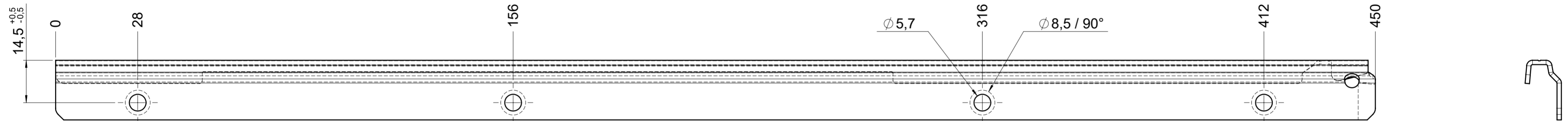
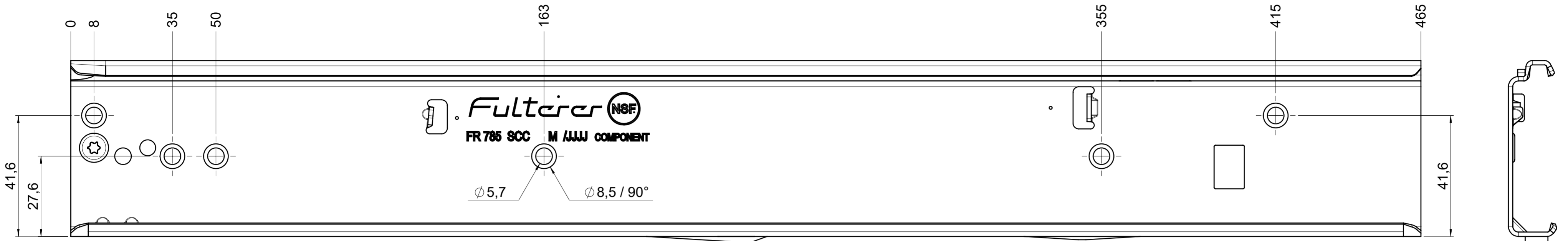


drawn left (right mirrorimage)



**final approval**

customer name:

signed by:

date:

**all dimensions in mm**

DIN ISO 128-30  
missing dimensions see 3D  
 = theor. intersection

This drawing remains our property and may not be multiplied neither be disclosed to third parties (§§1,3 and 5 from the copyright Act (UrhG)) covered according to DIN ISO 16016				scale:	1:1	surface:	material, semi finished parts:	A2
(k)				date	name		CS	
(l)				drawn	24-11-2022	ex	(technical requirements Fulterer)	
(m)				proven	02-01-2023	pr		
(n)				<b>Fulterer</b>			description:	
(o)				Fulterer AG & Co KG			FR 785 / 45 CS EN (mm)	
(p)				A-6890 Lustenau / Austria			progressive-action full-extension	
(q)				Fulterer AG			drawerslide / side mount	
(r)				CH-9430 St. Margrethen			drawing number:	
(s)							<b>CS# 785.450-GA.L501</b>	
(t)							replaces version date:	
(u)	changes	date	na.					