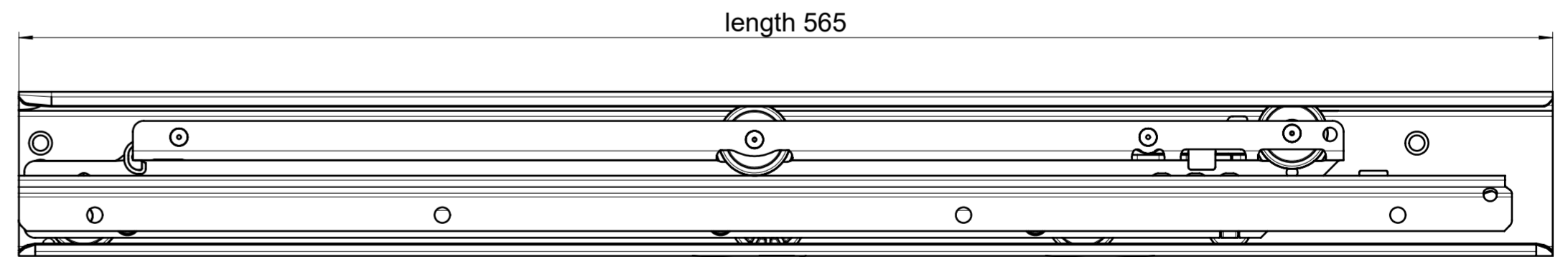
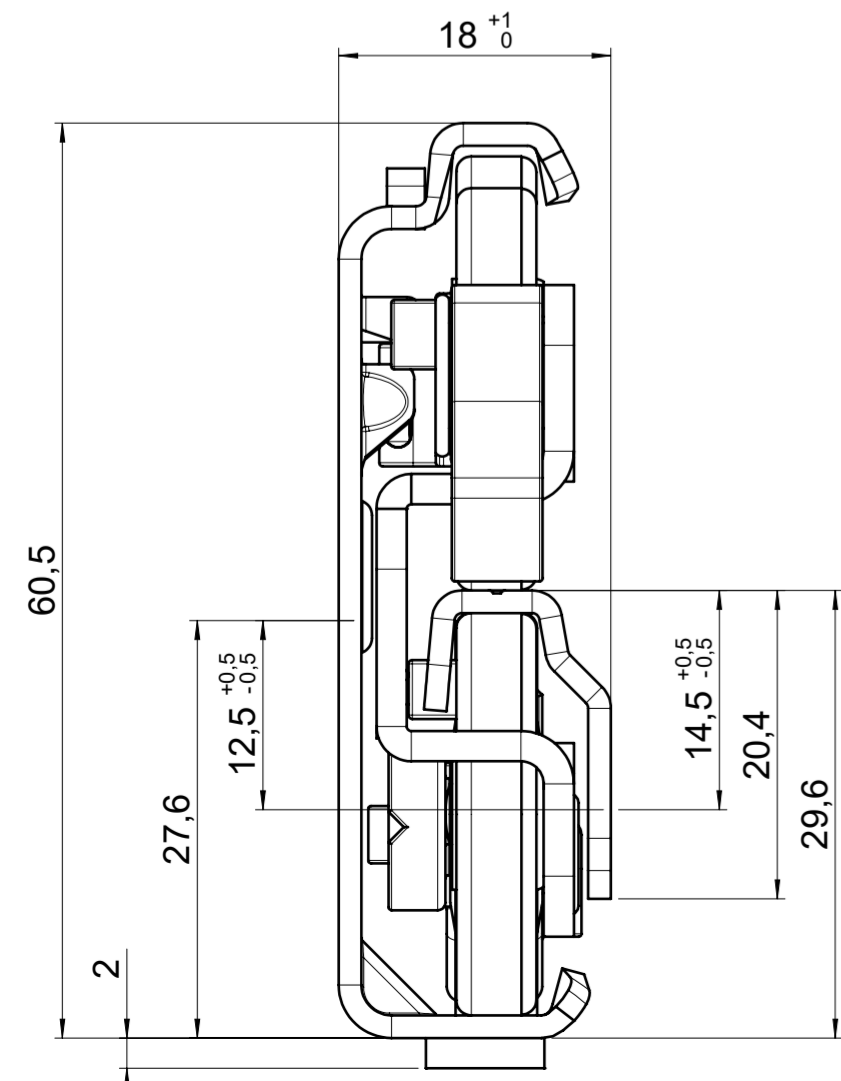
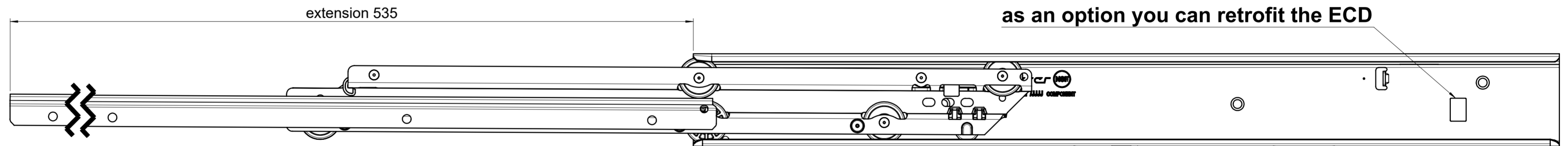
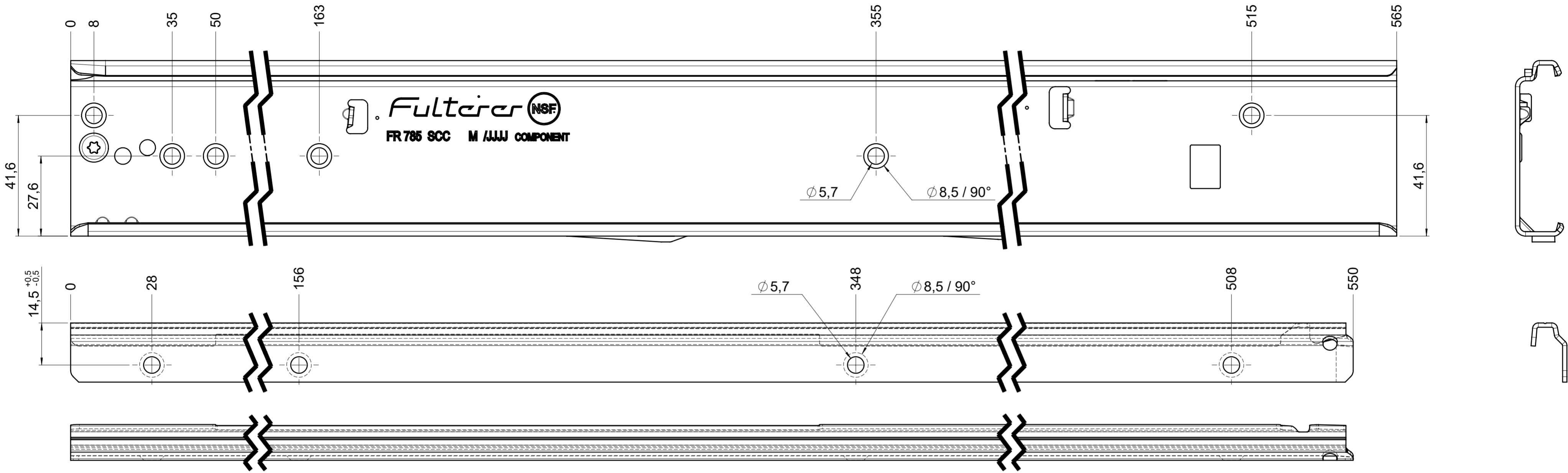


drawn left (right mirrorimage)



final approval

customer name:

signed by:

date:

all dimensions in mm

DIN ISO 128-30
missing dimensions see 3D
 = theor. intersection

| | | | | | | | |
|--|--|--|--|--|----------|---|----|
| This drawing remains our property and may not be multiplied neither be disclosed to third parties (§§1,3 and 5 from the copyright Act (UrhG)) covered according to DIN ISO 16016 | | | | scale: | surface: | material, semi finished parts: | A2 |
| (k) | | | | 1:1 | | CS | |
| (l) | | | | date | name | (technical requirements Fulterer) | |
| (m) | | | | drawn 24-11-2022 | ex | description: FR 785 / 55 CS EN (mm) progressive-action full-extension drawerslide / side mount | |
| (n) | | | | proven 02-01-2023 | pr | | |
| (o) | | | | | | drawing number: CS# 785.550-GA.L501 | |
| (p) | | | | | | | |
| (q) | | | | Fulterer AG & Co KG A-6890 Lustenau / Austria | | | |
| (r) | | | | Fulterer AG CH-9430 St. Margrethen | | | |
| (s) | | | | changes | date | na. | |
| (t) | | | | | | | |
| (u) | | | | | | | |
| (v) | | | | | | | |
| (w) | | | | | | | |
| (x) | | | | | | | |
| (y) | | | | | | | |
| (z) | | | | | | | |