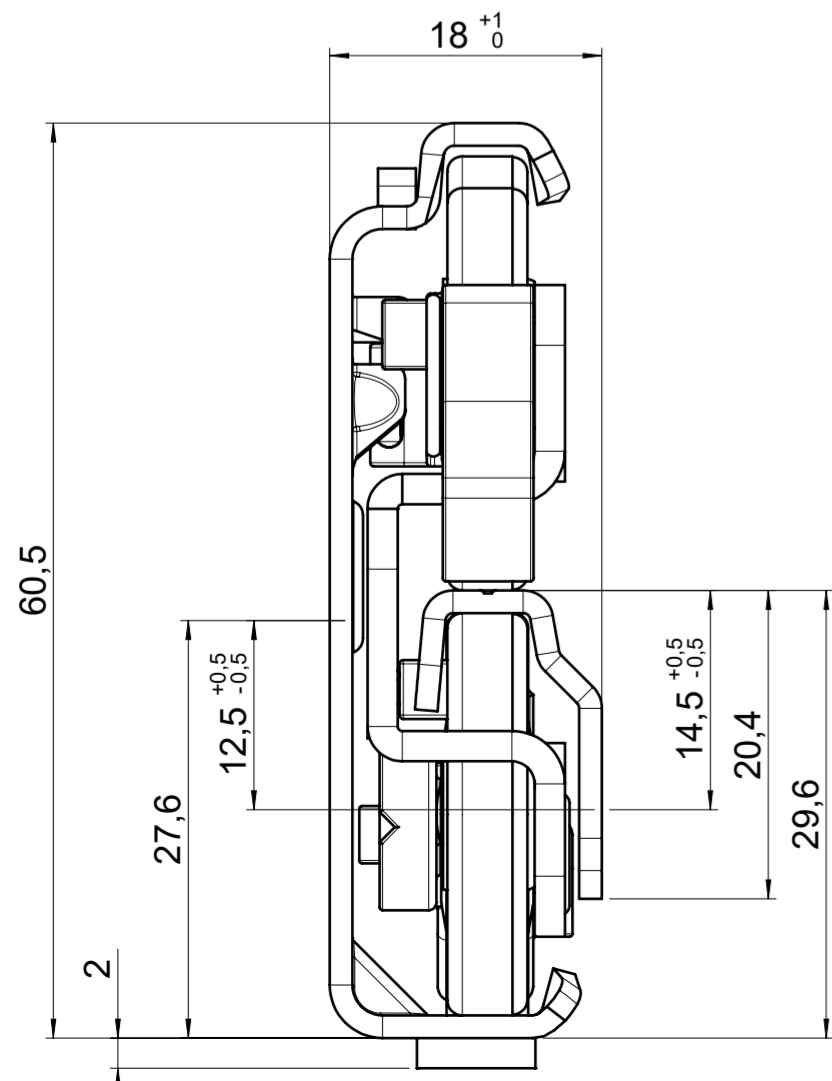
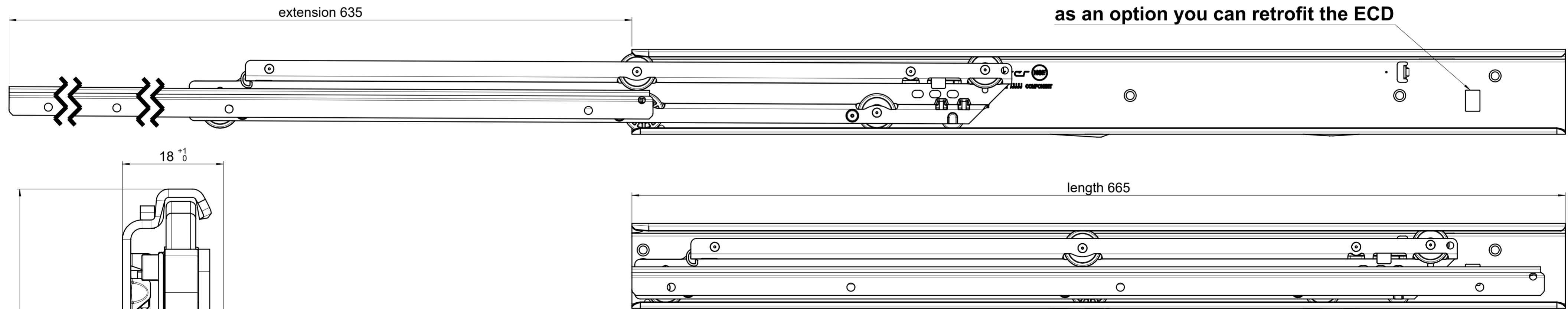
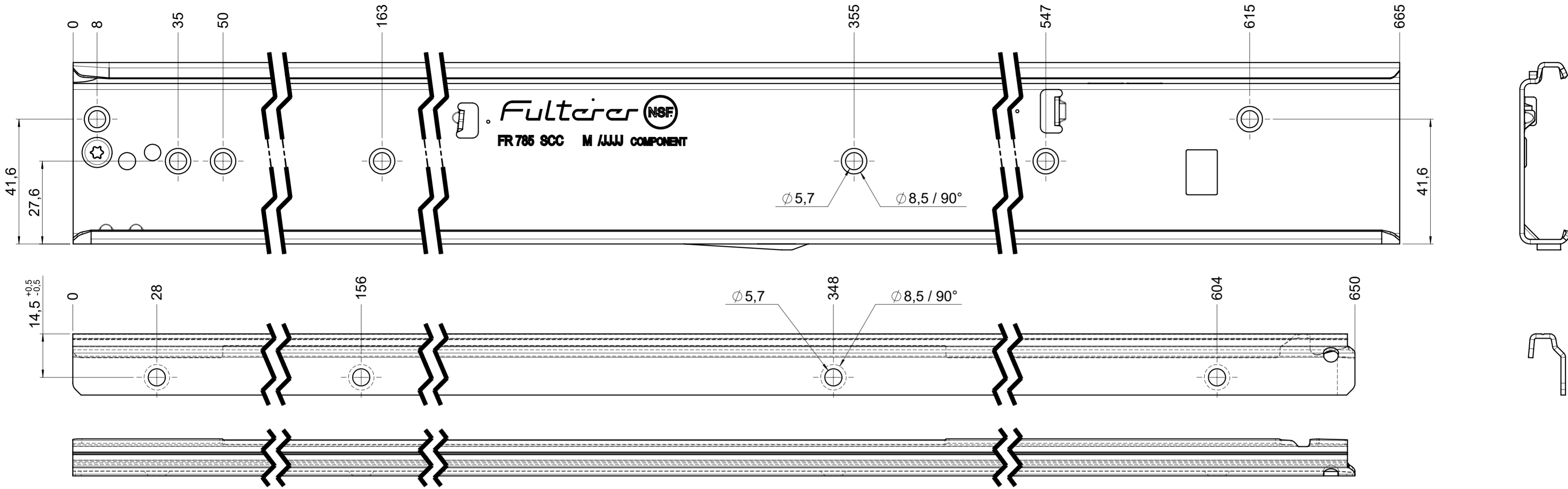


drawn left (right mirrorimage)



**final approval**

customer name:

signed by:

date:

**all dimensions in mm**

⊕ DIN ISO 128-30  
missing dimensions see 3D  
⊕ = theor. intersection

This drawing remains our property and may not be multiplied neither be disclosed to third parties (§§1,3 and 5 from the copyright Act (UrhG)) covered according to DIN ISO 16016				scale: 1:1	surface:	material, semi finished parts: CS (technical requirements Fulterer)
(k)				date	name	description: FR 785 / 65 CS EN (mm) progressive-action full-extension drawerslide / side mount
(l)				drawn 24-11-2022	ex	
(m)				proven 02-01-2023	pr	
(n)				<b>Fulterer</b>		drawing number: CS# 785.650-GA.L501 replaces version date:
(o)				Fulterer AG & Co KG A-6890 Lustenau / Austria Fulterer AG CH-9430 St. Margrethen		
(p)				changes	date	na.