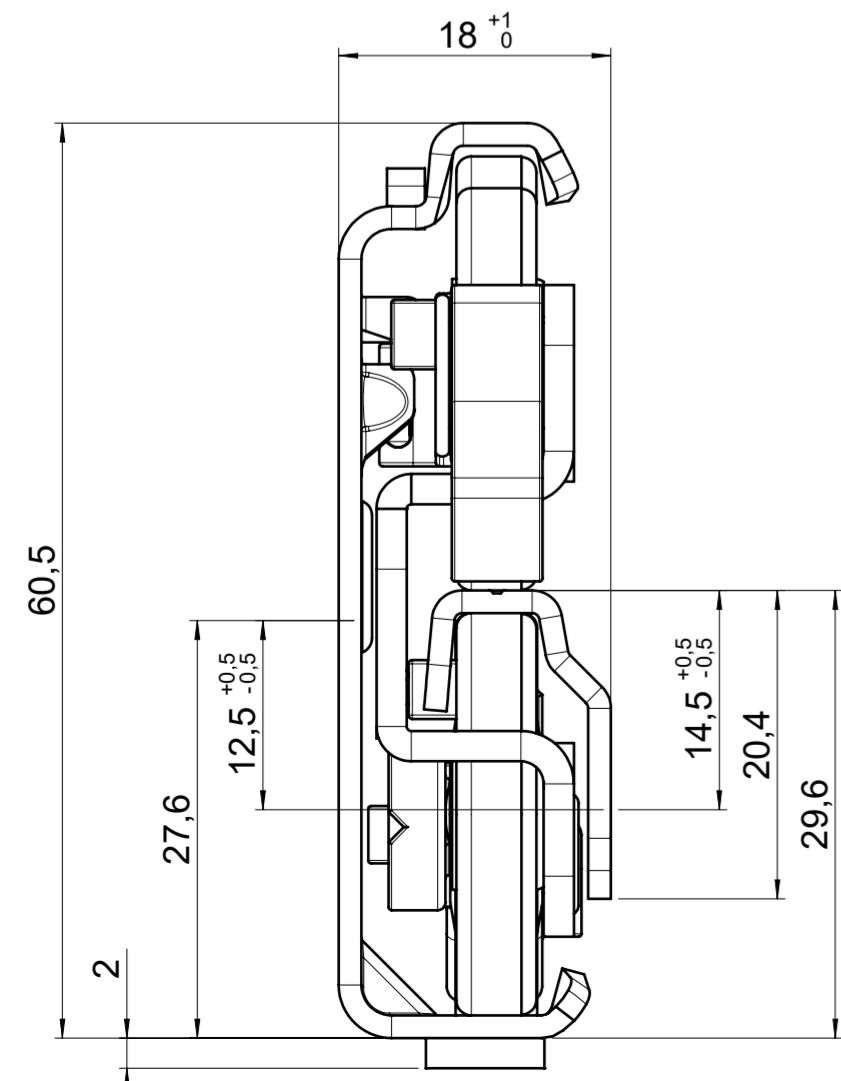
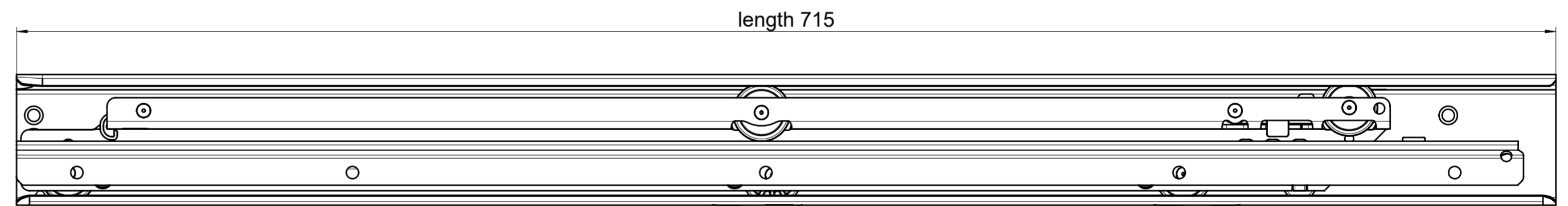
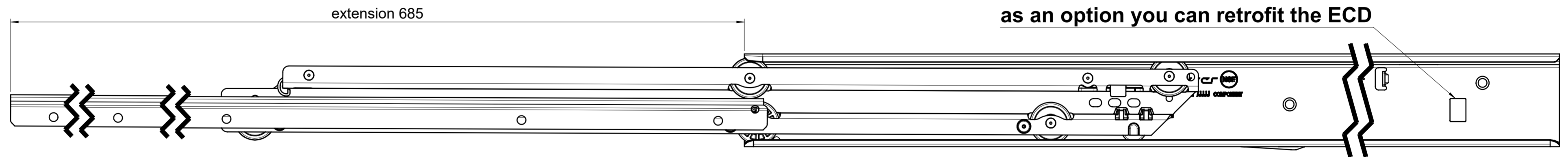
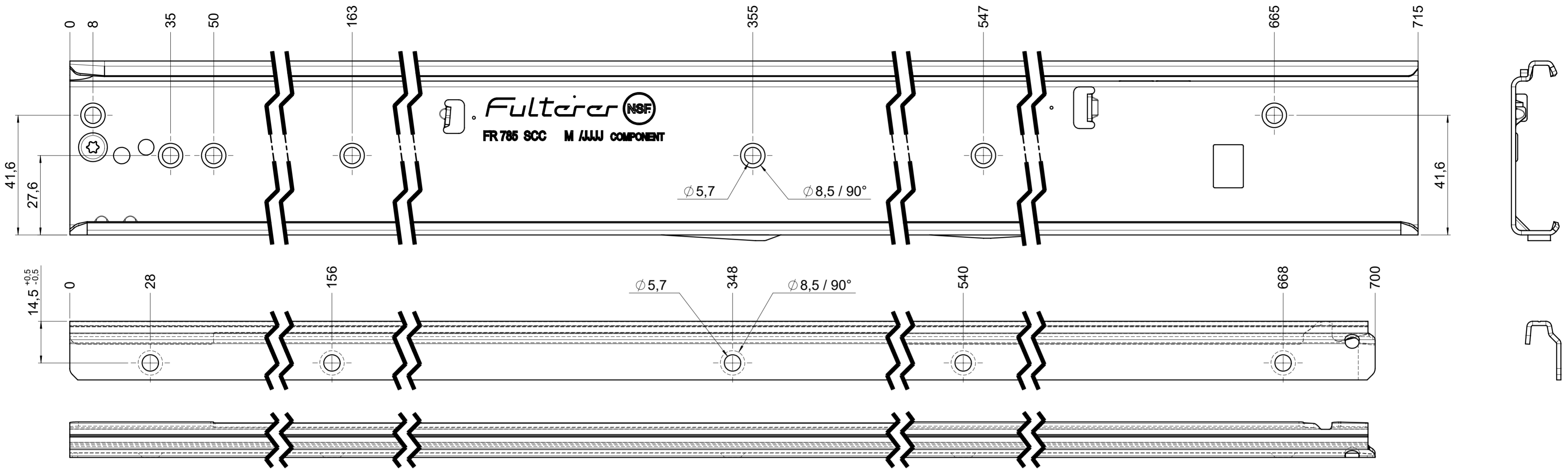


drawn left (right mirrorimage)



**final approval**

customer name:

signed by:

date:

**all dimensions in mm**

DIN ISO 128-30  
missing dimensions see 3D  
 = theor. intersection

This drawing remains our property and may not be multiplied neither be disclosed to third parties (§§1,3 and 5 from the copyright Act (UrhG)) covered according to DIN ISO 16016

(k) (l) (m) (n) (o) (p) (q) (r) (s) (t) (u) (v) (w) (x) (y) (z)	scale:	1:1	surface:	material, semi finished parts:	A2
	date:		name:	CS	
	drawn: 24-11-2022	ex	proven: 02-01-2023	pr	(technical requirements Fulterer)
				description: FR 785 / 70 CS EN (mm) progressive-action full-extension drawerslide / side mount	
Fulterer AG & Co KG A-6890 Lustenau / Austria Fulterer AG CH-9430 St. Margrethen				drawing number: <b>CS# 785.700-GA.L501</b> replaces version date:	
ind.	changes	date	na.		