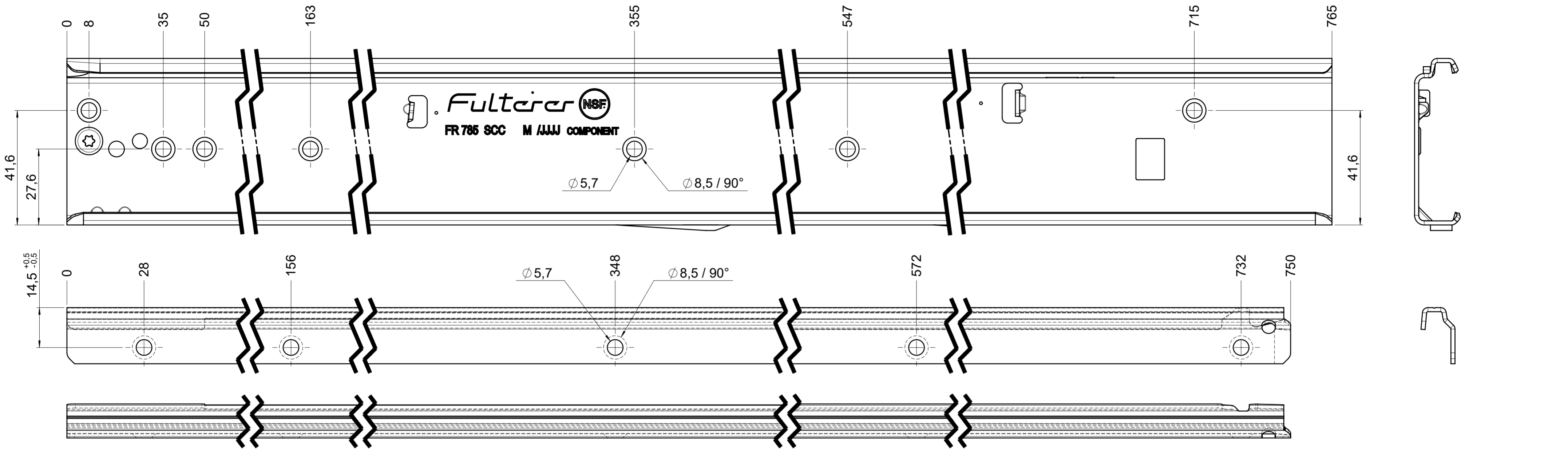
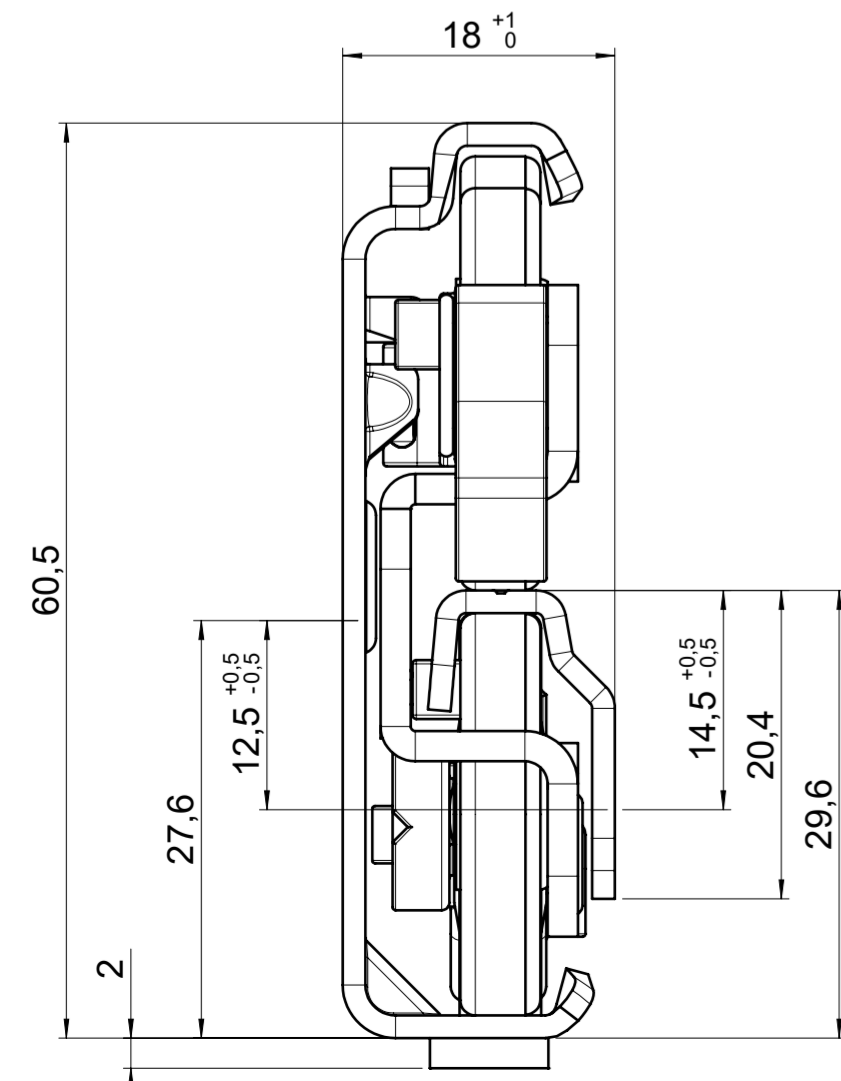


drawn left (right mirrorimage)



extension 735

as an option you can retrofit the ECD



length 765

final approval

customer name:

signed by:

date:

all dimensions in mm

DIN ISO 128-30
missing dimensions see 3D
 = theor. intersection

This drawing remains our property and may not be multiplied neither be disclosed to third parties (§§1,3 and 5 from the copyright Act (UrhG)) covered according to DIN ISO 16016				scale:	surface:	material, semi finished parts: CS (technical requirements Fulterer)
		1:1			A2	
(k)			date	name	description: FR 785 / 75 CS EN (mm) progressive-action full-extension drawerslide / side mount	drawing number: CS# 785.750-GA.L501 replaces version date:
(l)			drawn 24-11-2022	ex		
(m)			proven 02-01-2023	pr		
(n)						
(o)						
(p)			Fulterer AG & Co KG			
(q)			A-6890 Lustenau / Austria			
(r)			Fulterer AG			
(s)			CH-9430 St. Margrethen			
(t)			changes	date	na.	