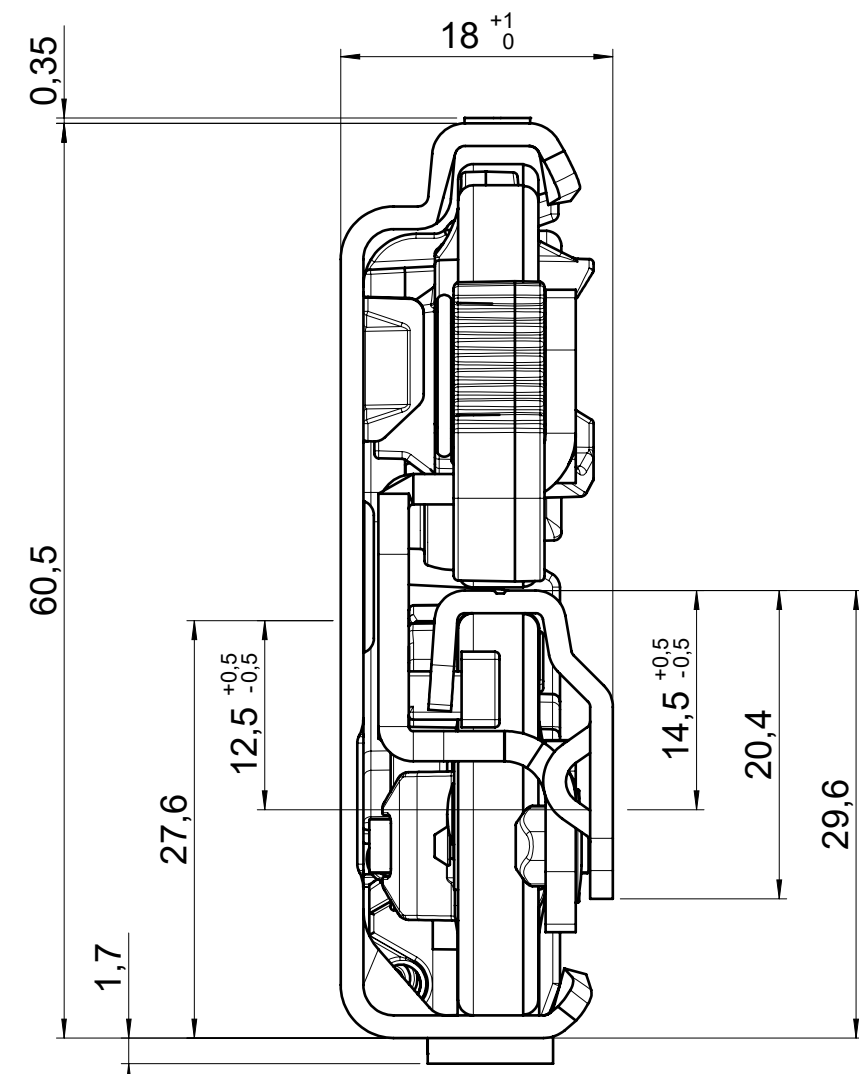
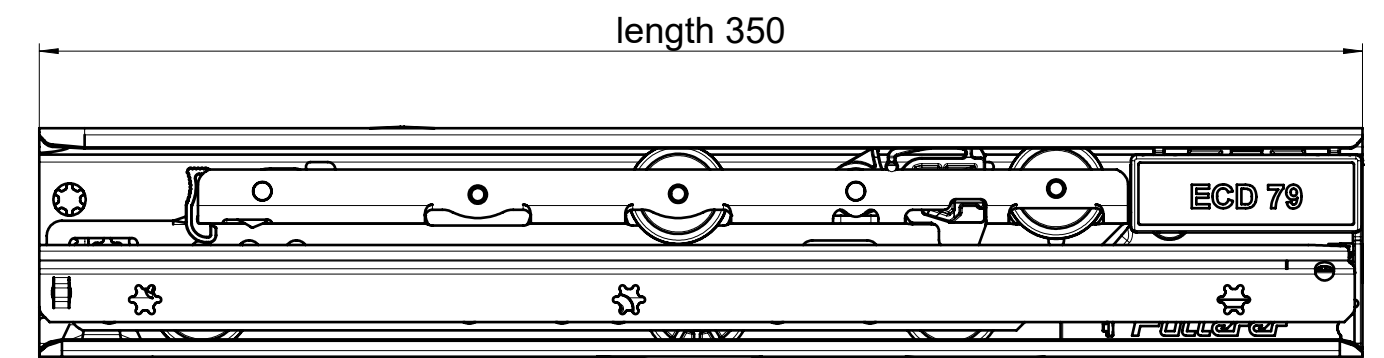
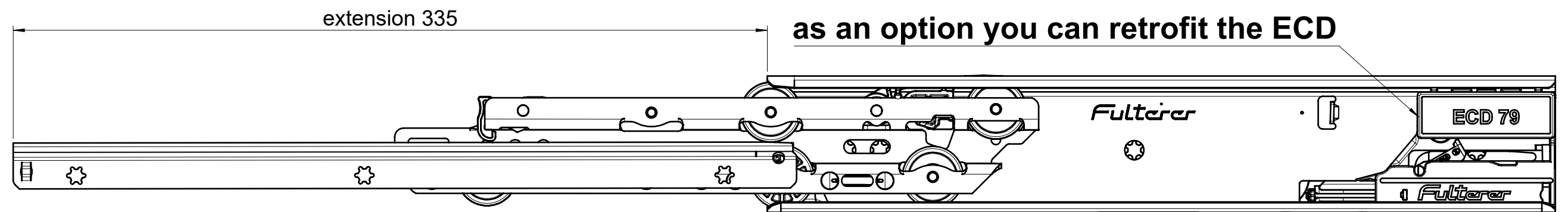
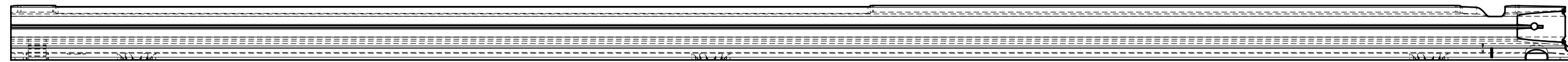
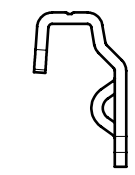
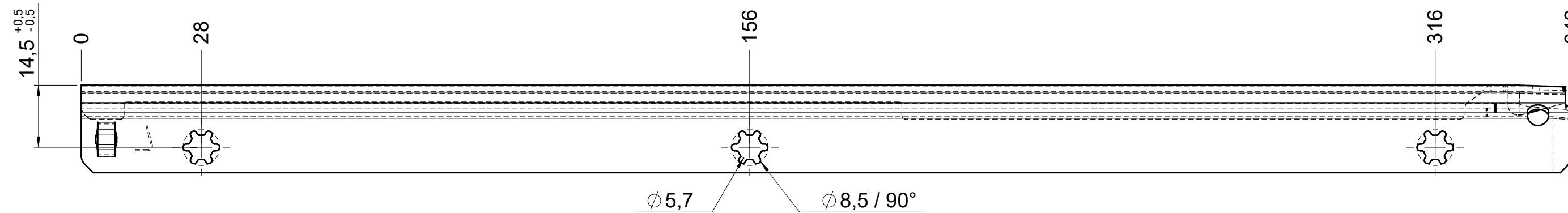
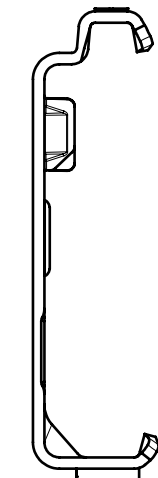
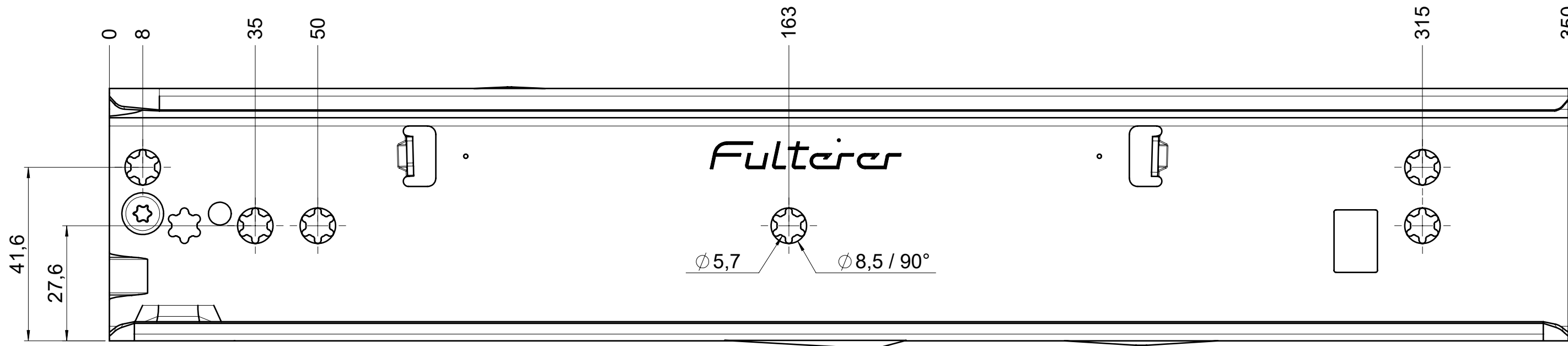


drawn on the left (mirrored on the right)



final approval

customer name:

signed by:

date:

all dimensions in mm					
missing dimensions see 3D $\Rightarrow \ominus$ = theor. intersection		scale: 1:1	surface/color:	material: CS	(technical requirements Fulterer)
prototype approval	drawn	2022-11-24	EX	description: FR 795-350 CS EN (mm)	
	proven	2024-01-12	RK	progressive-action full-extension drawerslide / side mount	
 Fulterer AG & Co KG A-6890 Lustenau Fulterer AG CH-9430 St. Margrethen				drawing number: CS# 795.350-GA.0000	
ind. changes date name				replaces the edition:	
This drawing remains our property and may not be multiplied neither be disclosed to third parties (§§1.3 and 5 from the copyright Act (UrhG)).					covered according to DIN ISO 16016