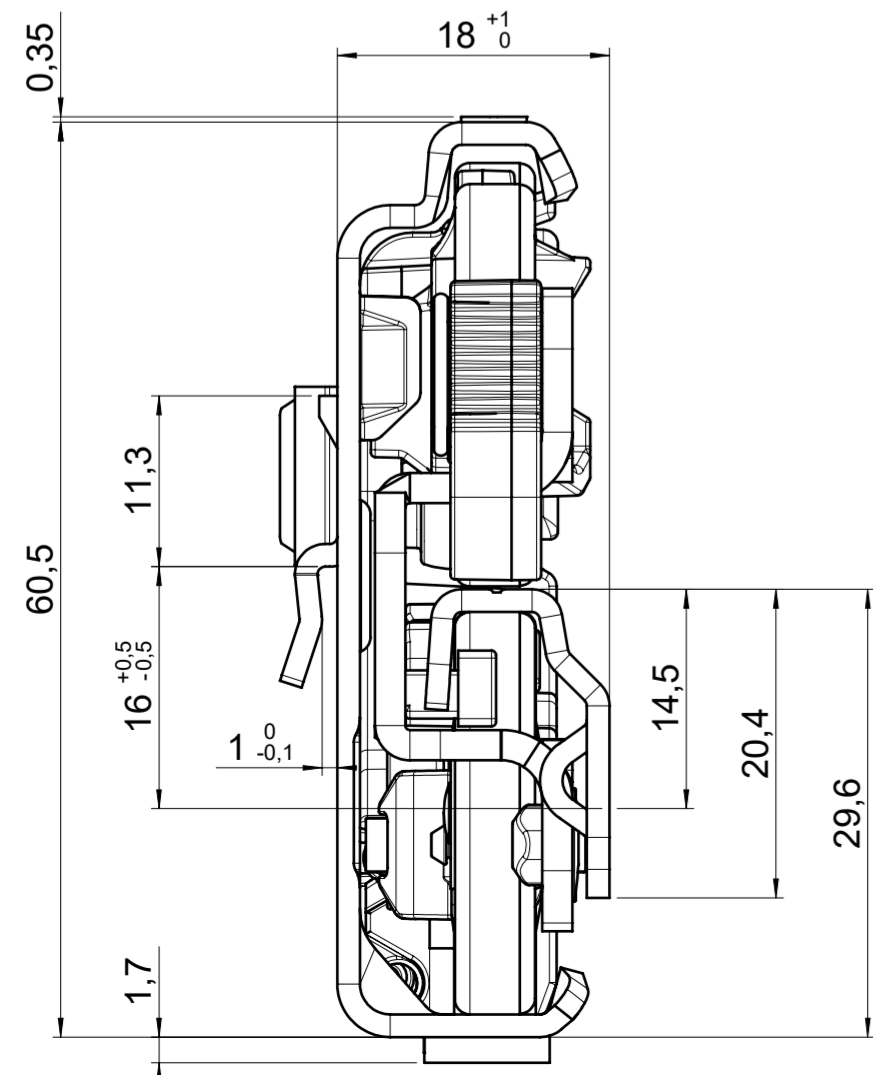
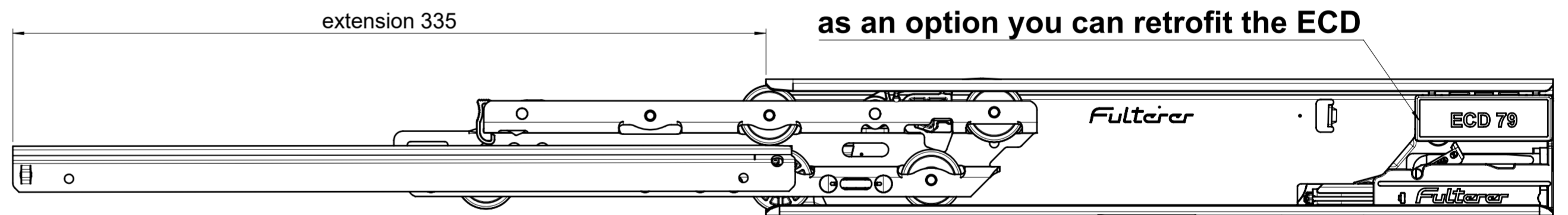
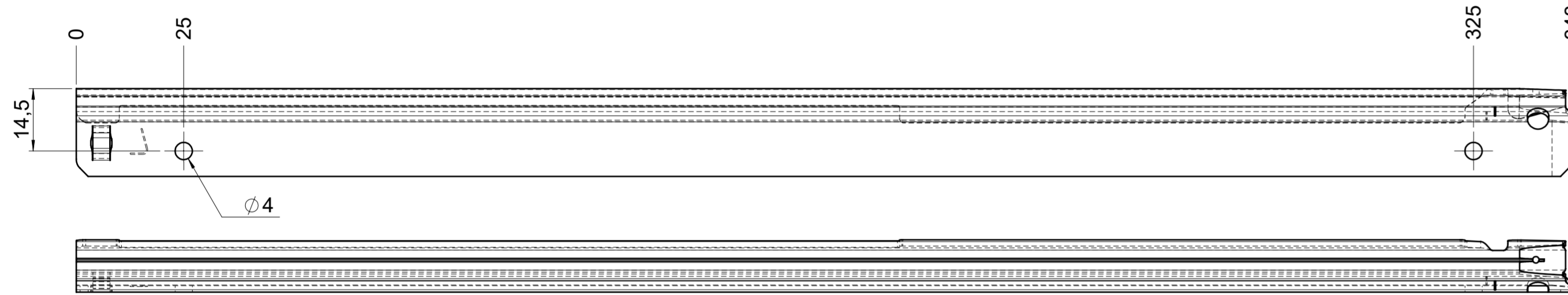


drawn on the left (mirrored on the right)



final approval	customer name:
	signed by:
	date:

all dimensions in mm					
missing dimensions see 3D ∅ = theor. intersection	scale: 1:1	surface/color:	material: (technical requirements Fulterer) CS		
prototype approval		drawn	date	name	description: FR 795-350 CS EN (mm) progressive-action full-extension drawerslide / side mount
		proven	2024-01-12	RK	
		 Fulterer AG & Co KG A-6890 Lustenau Fulterer AG CH-9430 St. Margrethen		drawing number: CS# 795.350-GA.L526	
ind. changes				date	
<small>This drawing remains our property and may not be multiplied neither be disclosed to third parties (§§1.3 and 5 from the copyright Act (UrHfG)).</small>					