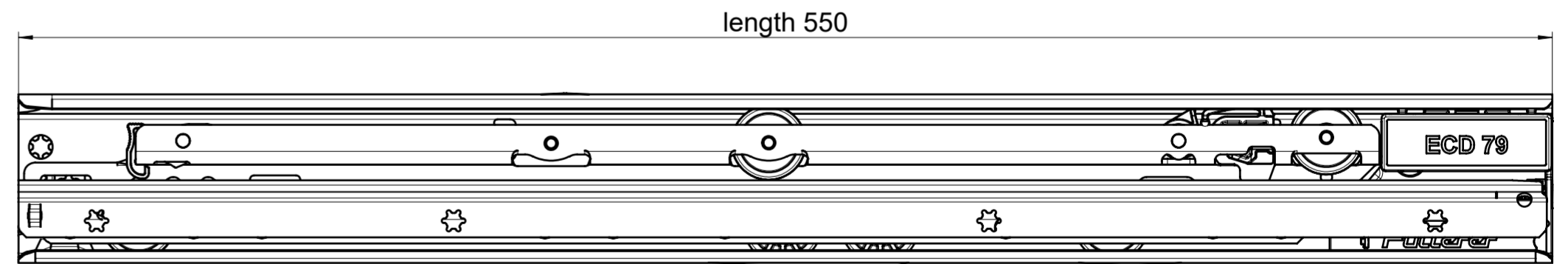
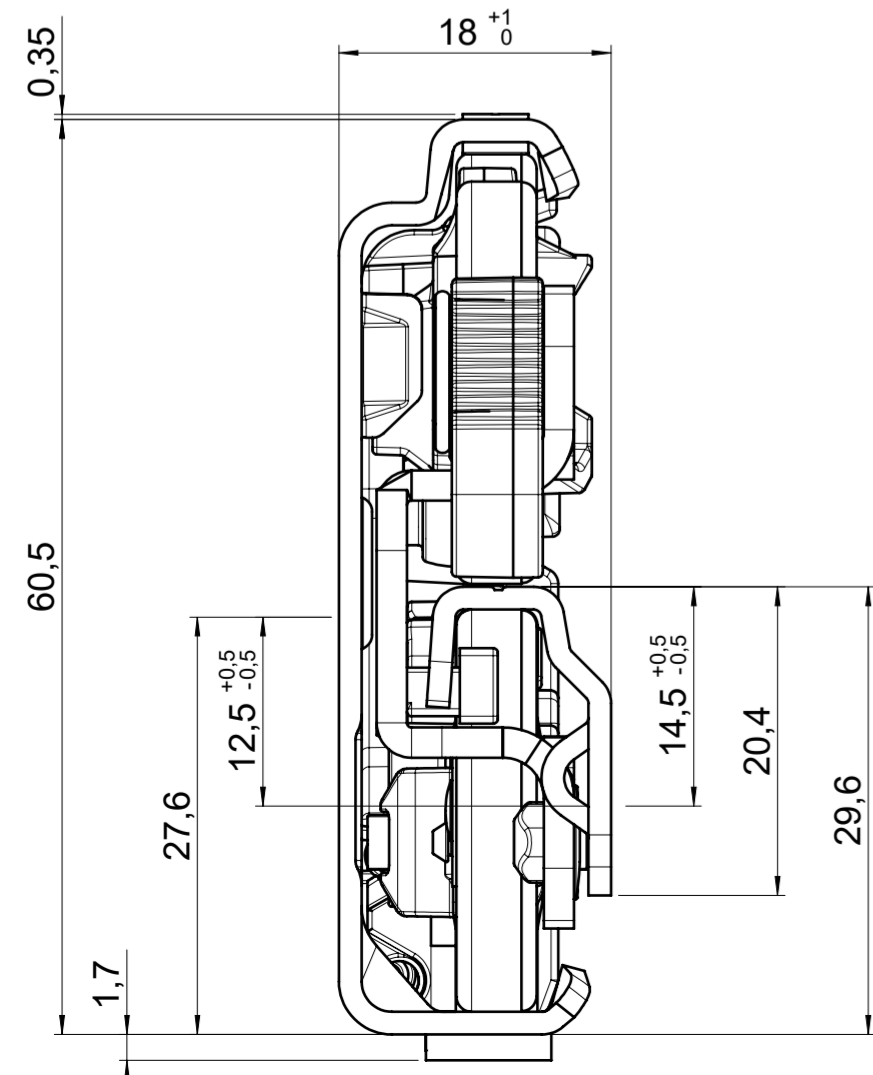
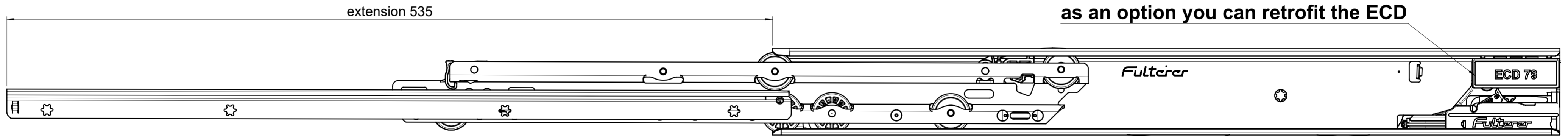
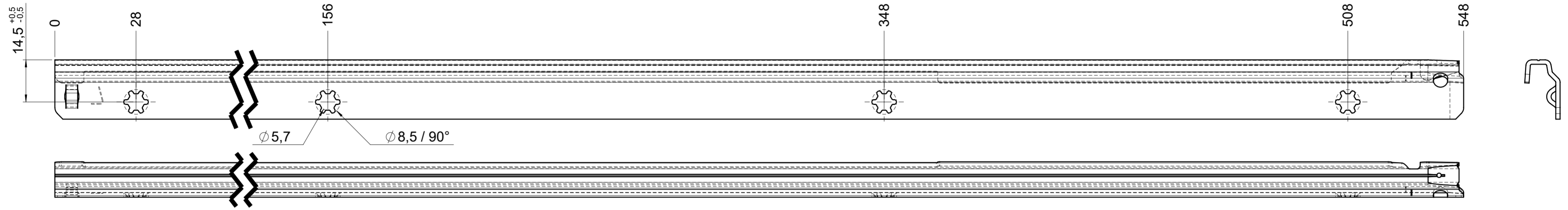
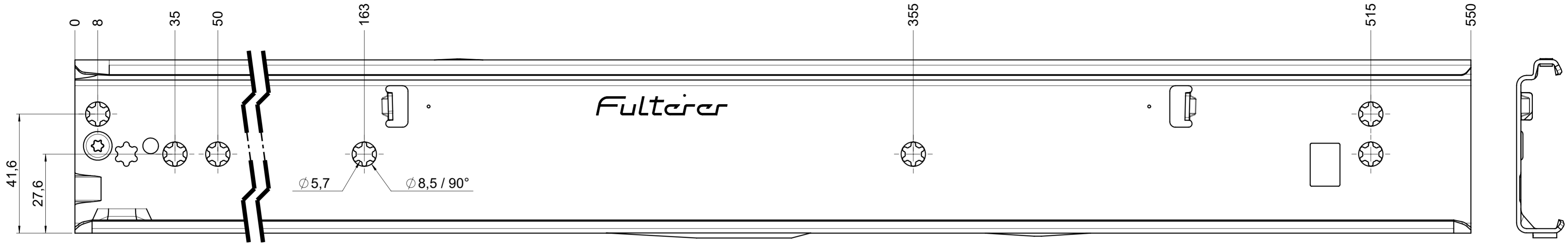


drawn on the left (mirrored on the right)



final approval

customer name:

signed by:

date:

all dimensions in mm					
missing dimensions see 3D \varnothing = theor. intersection		scale: 1:1	surface/color:	material: CS	(technical requirements Fulterer)
prototype approval		drawn	date	name	description: FR 795-550 CS EN (mm) progressive-action full-extension drawerslide / side mount
		proven	2024-01-12	RK	
 Fulterer AG & Co KG A-6890 Lustenau Fulterer AG CH-9430 St. Margrethen		drawing number: CS# 795.550-GA.0000		replaces the edition:	
 PDM ind. changes	2023-10-04 date	RK name			
<small>This drawing remains our property and may not be multiplied neither be disclosed to third parties (§§1.3 and 5 from the copyright Act (UrHG)).</small>					
					A2