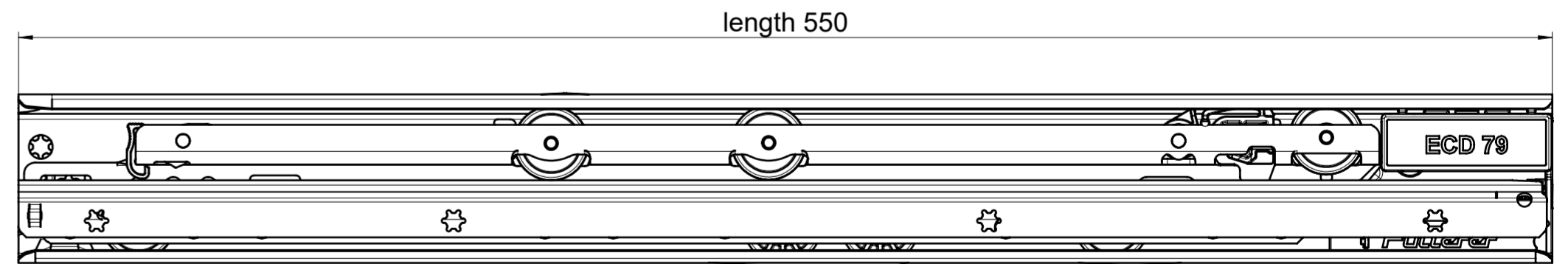
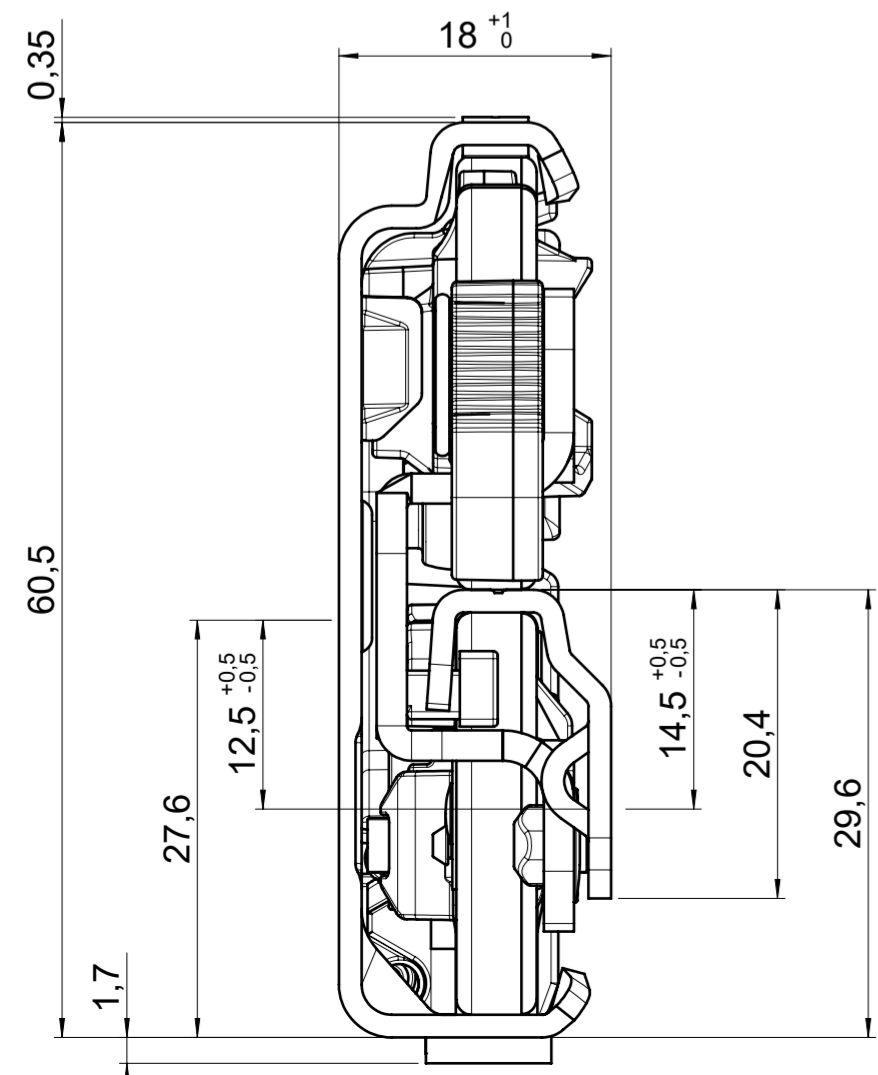
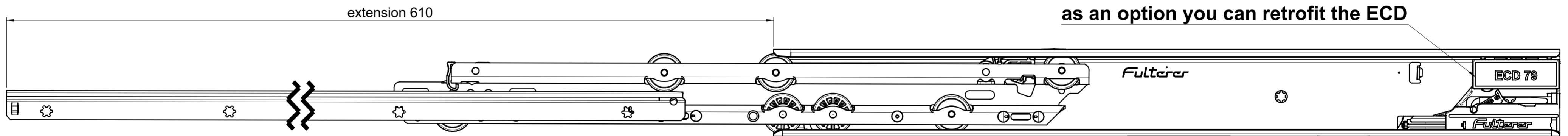
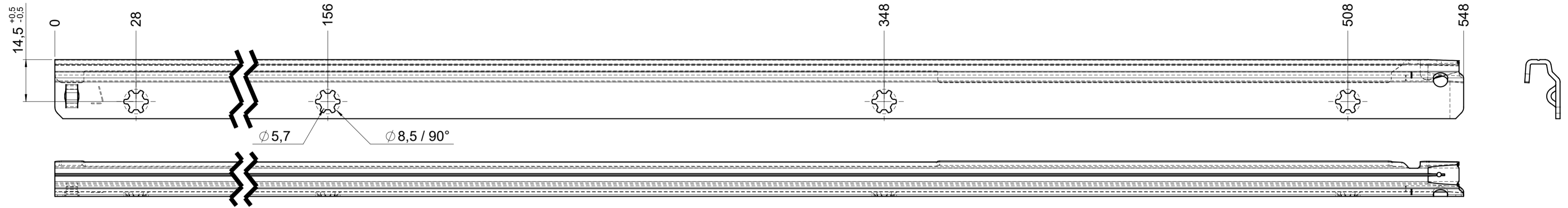


drawn on the left (mirrored on the right)



final approval

customer name:

signed by:

date:

all dimensions in mm			
missing dimensions see 3D = theor. intersection	scale: 1:1	surface/color:	material: CS (technical requirements Fulterer)
prototype approval	drawn: 2023-10-09 RK	date: 2023-10-09	description: FR 795-550 CS EN (mm) progressive-action over-extension drawerslide / side mount
	proven: 2024-01-12 RK	date: 2024-01-12	
ind. changes		date	name
Fulterer AG & Co KG A-6890 Lustenau		drawing number: CS# 795.550-GA.L500	
Fulterer AG CH-9430 St. Margrethen		replaces the edition:	
This drawing remains our property and may not be multiplied neither be disclosed to third parties (§§1.3 and 5 from the copyright Act (UrhG)).			covered according to DIN ISO 16016