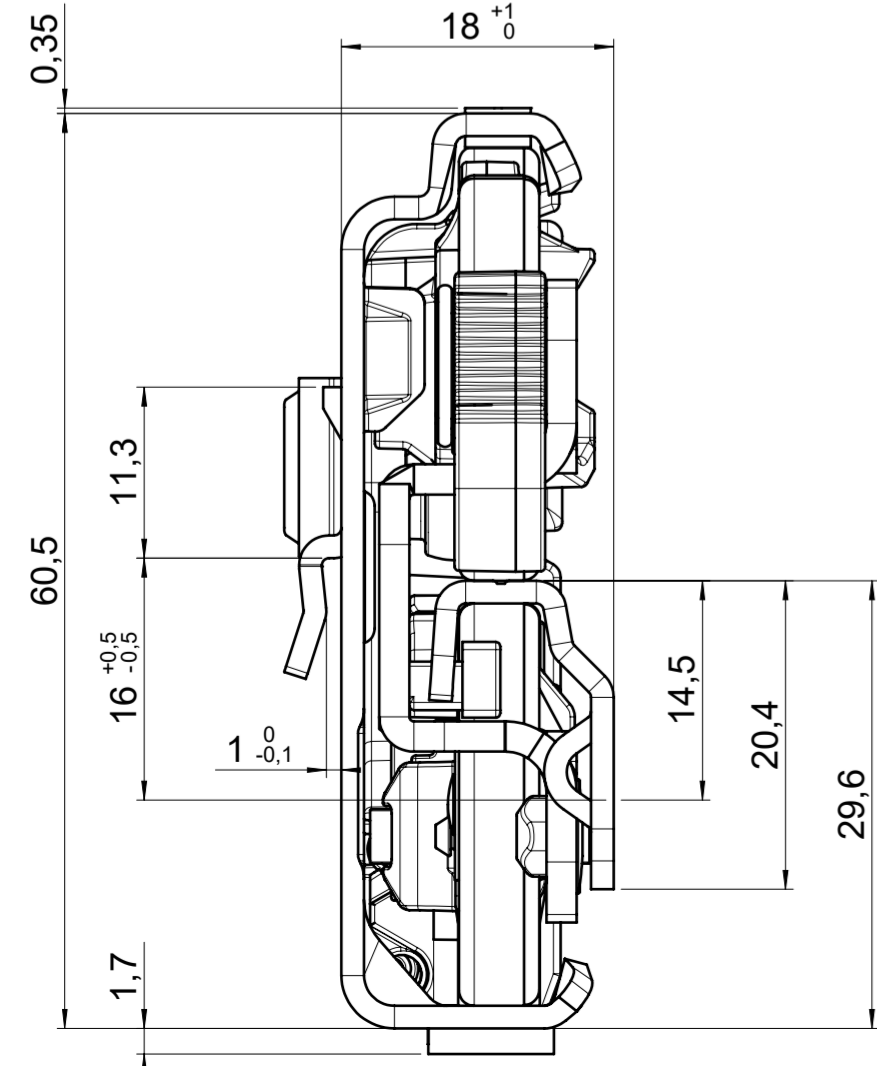
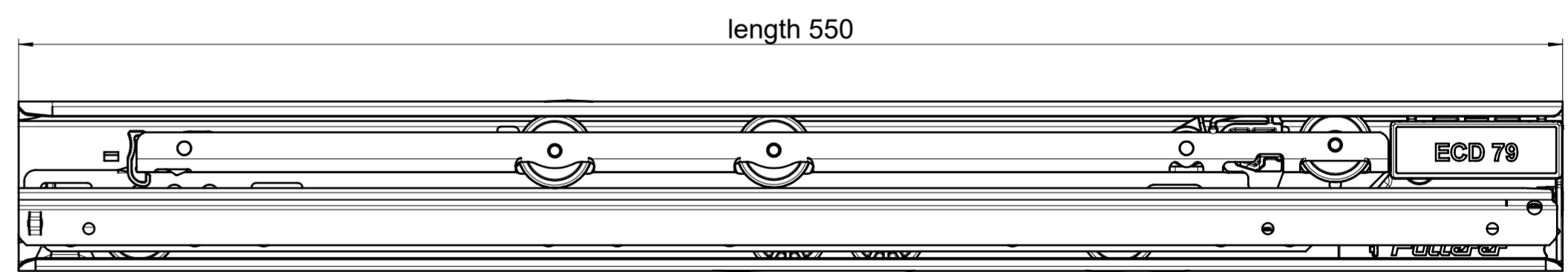
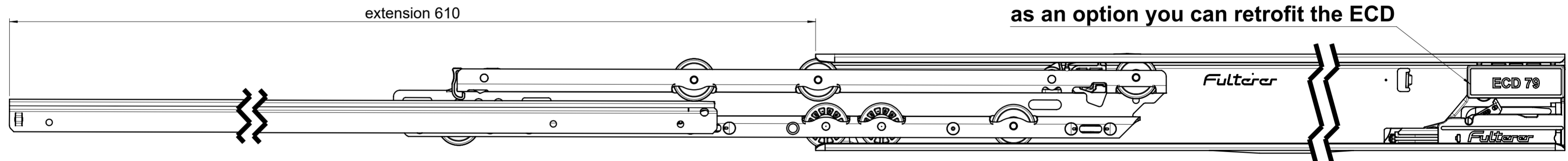
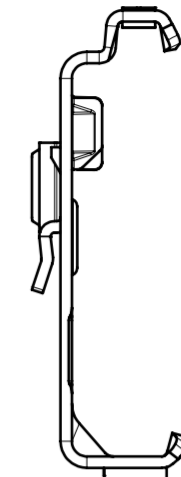
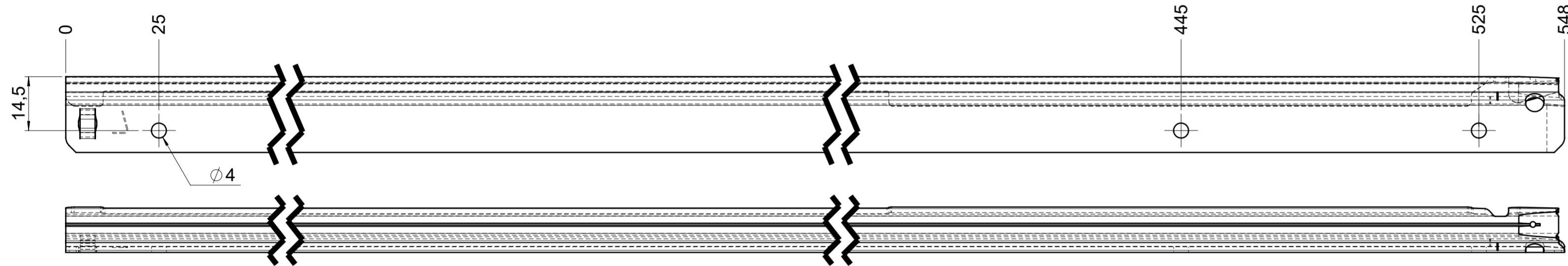
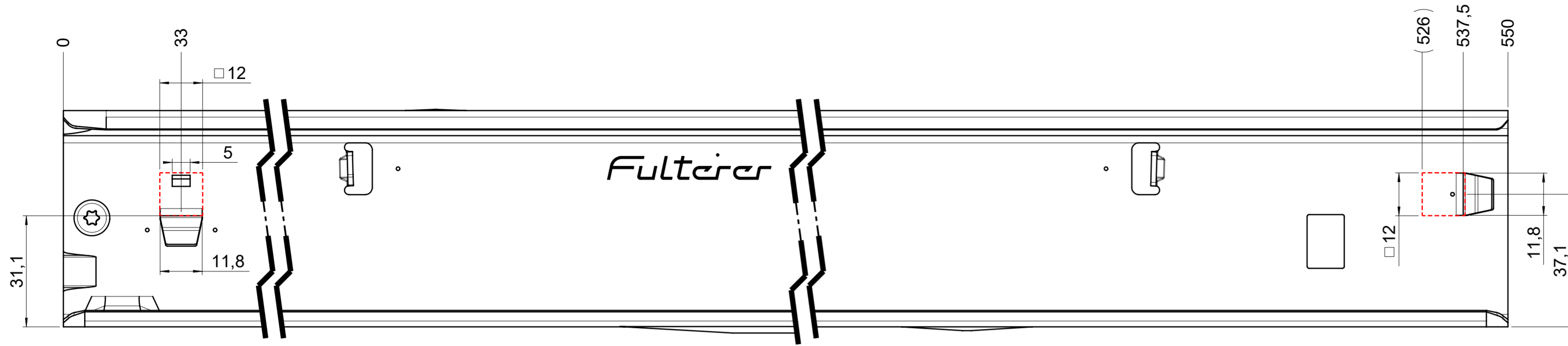


drawn on the left (mirrored on the right)



final approval

customer name:

signed by:

date:

all dimensions in mm			
missing dimensions see 3D = theor. intersection	scale: 1:1	surface/color:	material: CS (technical requirements Fulterer)
prototype approval	drawn: 2023-12-20 RK	date: 2024-01-12	name: RK
	description: FR 795-550 CS EN (mm) progressive-action over-extension drawerslide / side mount		
drawing number: CS# 795.550-GA.L525			replaces the edition:
① PDM	2023-12-20	RK	Fulterer AG & Co KG A-6890 Lustenau
ind. changes	date	name	Fulterer AG CH-9430 St. Margrethen