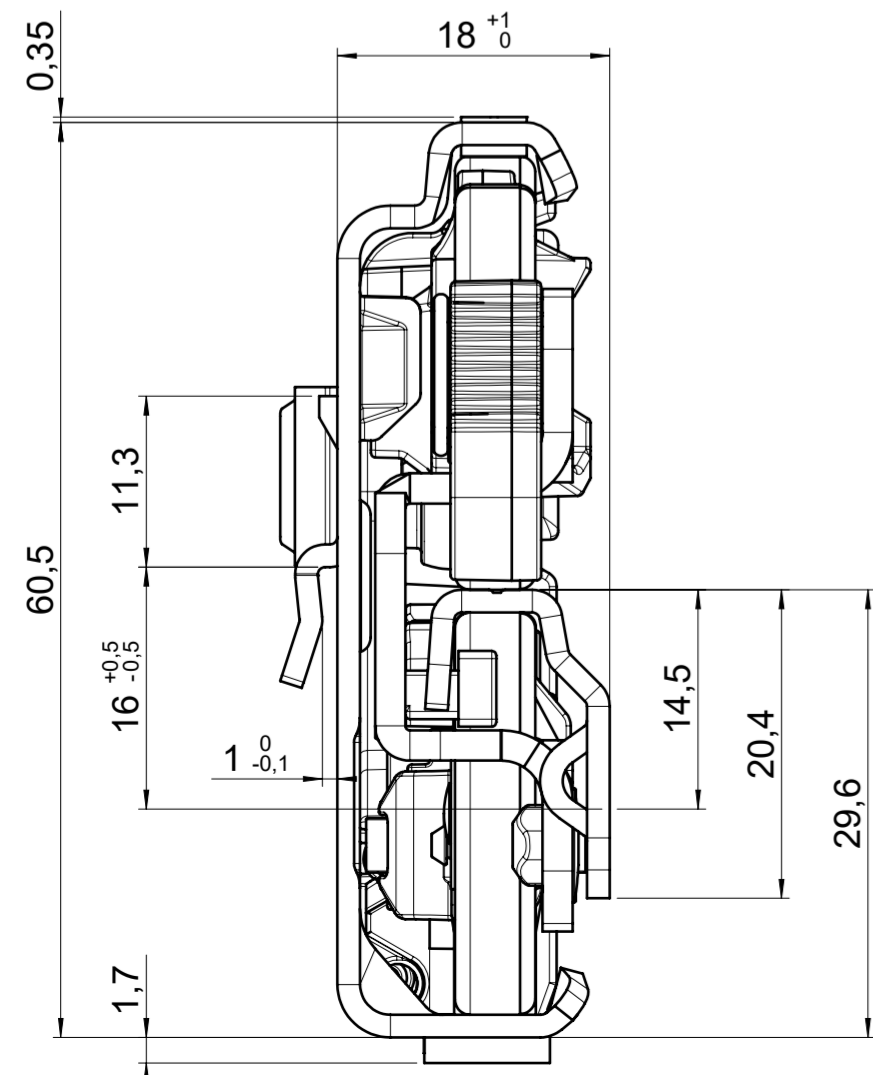
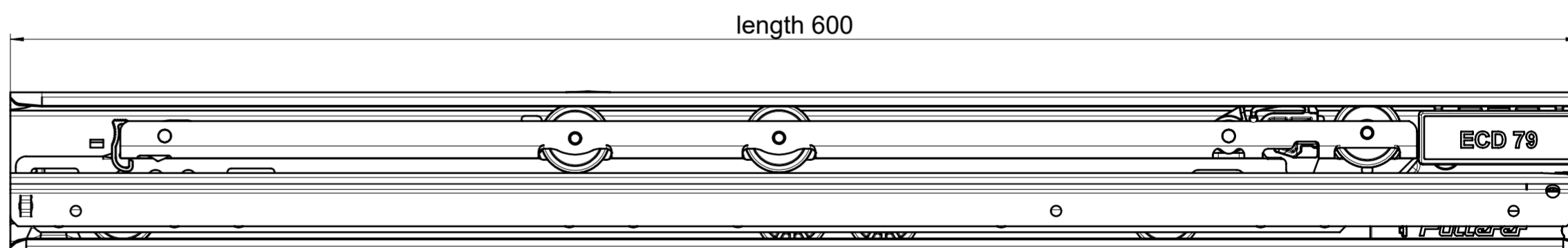
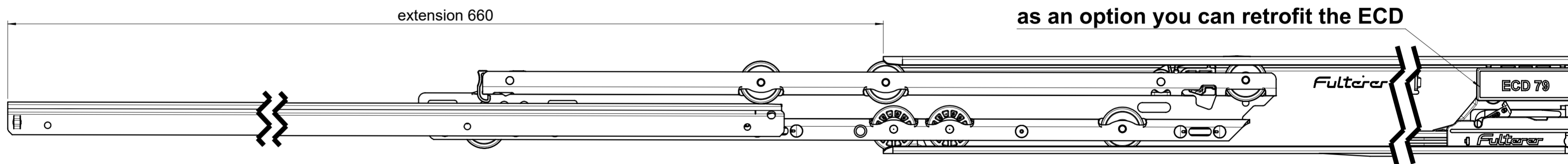
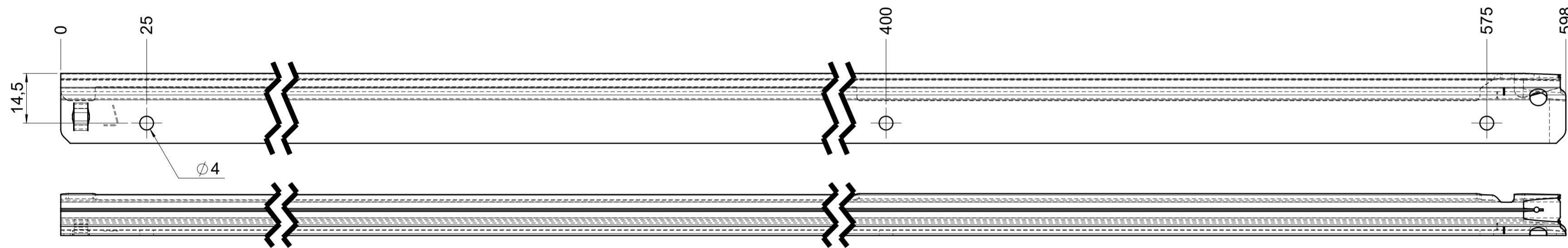
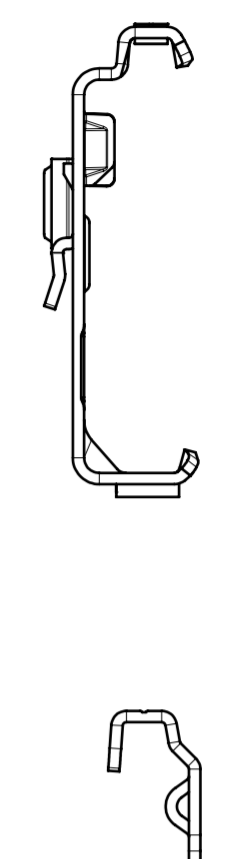
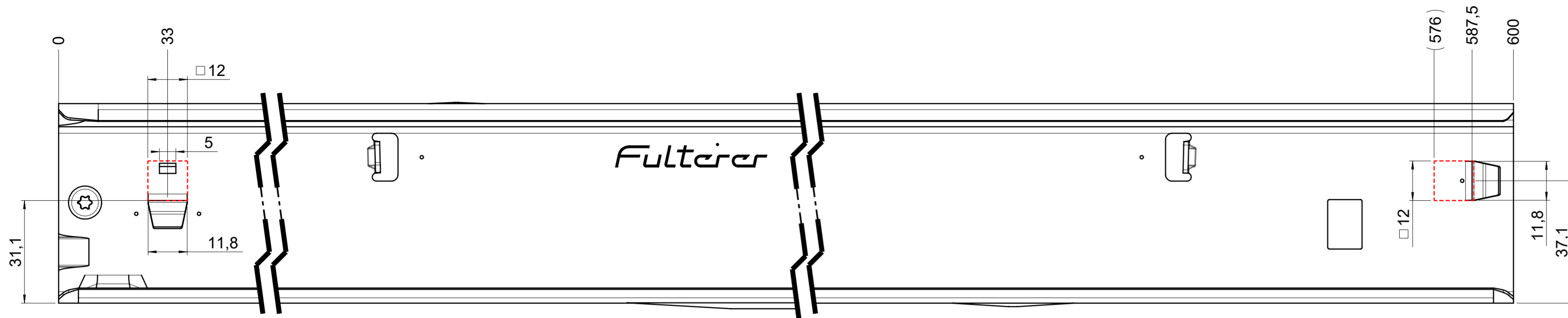


drawn on the left (mirrored on the right)



**final approval**

customer name:

signed by:

date:

all dimensions in mm					
missing dimensions see 3D = theor. intersection	scale: 1:1	surface/color:	material: CS (technical requirements Fulterer)		
<b>prototype approval</b>		drawn: 2023-12-20 RK	date:	description: <b>FR 795-600 CS EN (mm)</b>	
		proven: 2024-01-12 RK		progressive-action over-extension drawerslide / side mount	
		 Fulterer AG & Co KG A-6890 Lustenau Fulterer AG CH-9430 St. Margrethen		drawing number: <b>CS# 795.600-GA.L525</b>	
① PDM 2023-12-20 RK ind. changes date name				replaces the edition:	
<small>This drawing remains our property and may not be multiplied neither be disclosed to third parties (§§1.3 and 5 from the copyright Act (UrHG)). covered according to DIN ISO 16016</small>					