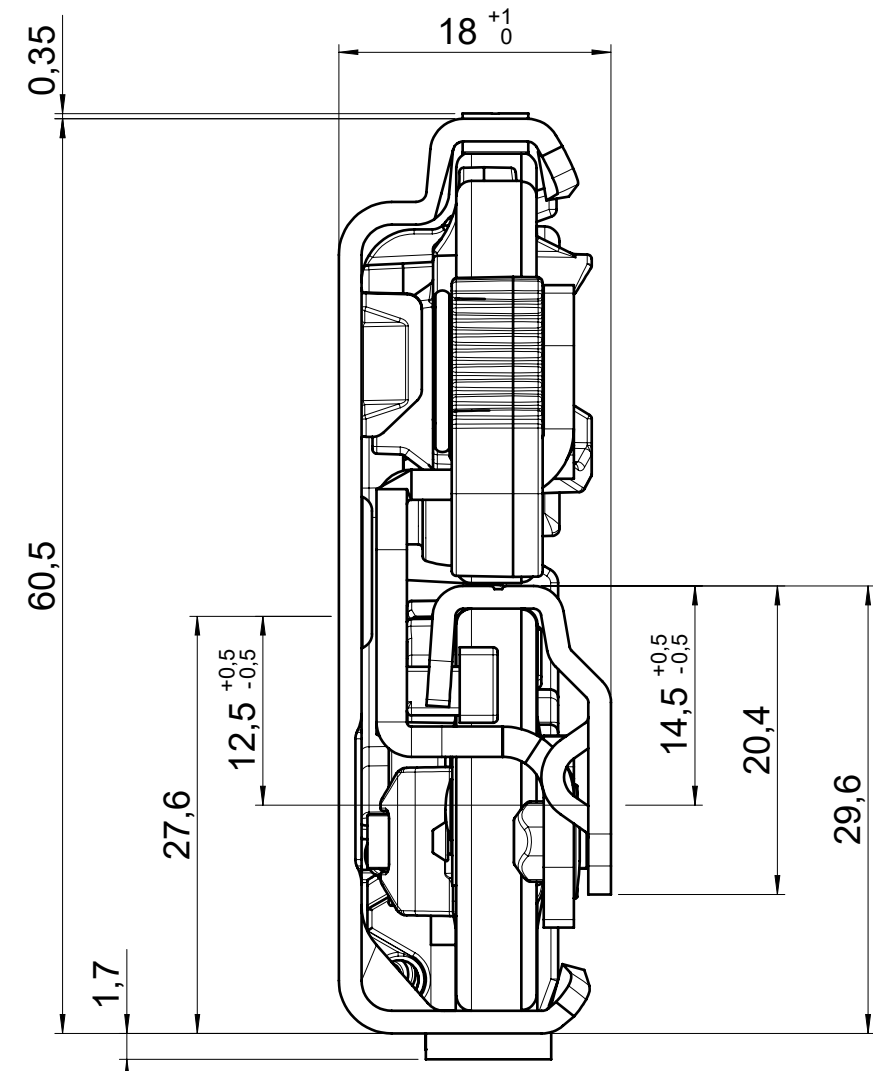
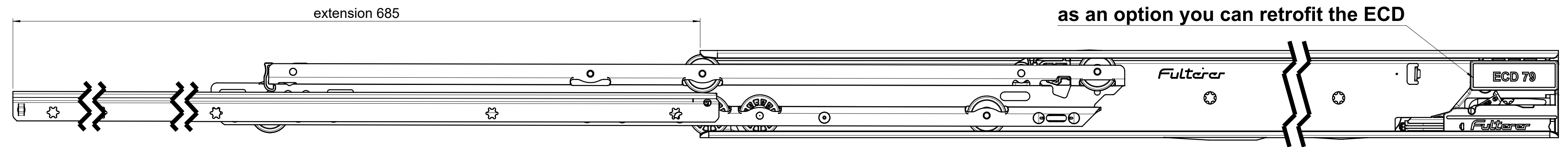
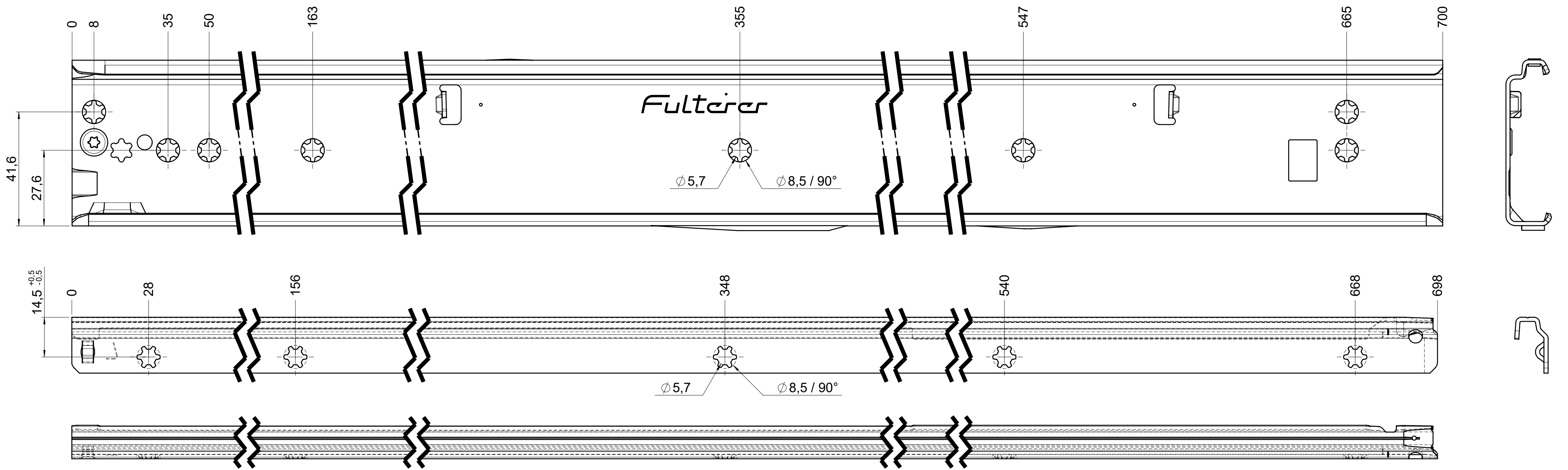


drawn on the left (mirrored on the right)



**final approval**

customer name:

signed by:

date:

all dimensions in mm					
missing dimensions see 3D $\varnothing$ = theor. intersection	DIN ISO 128-30	scale: <b>1:1</b>	surface/color:	material:	(technical requirements Fulterer)
<b>prototype approval</b>			date	name	description: <b>FR 795-700 CS EN (mm)</b> progressive-action full-extension drawerslide / side mount
			drawn 2022-11-24 EX	proven 2024-01-12 RK	
 Fulterer AG & Co KG A-6890 Lustenau Fulterer AG CH-9430 St. Margrethen			drawing number:		<b>CS# 795.700-GA.0000</b>
			replaces the edition:		
This drawing remains our property and may not be multiplied neither be disclosed to third parties (§§1.3 and 5 from the copyright Act (UrHfG)).					covered according to DIN ISO 16016