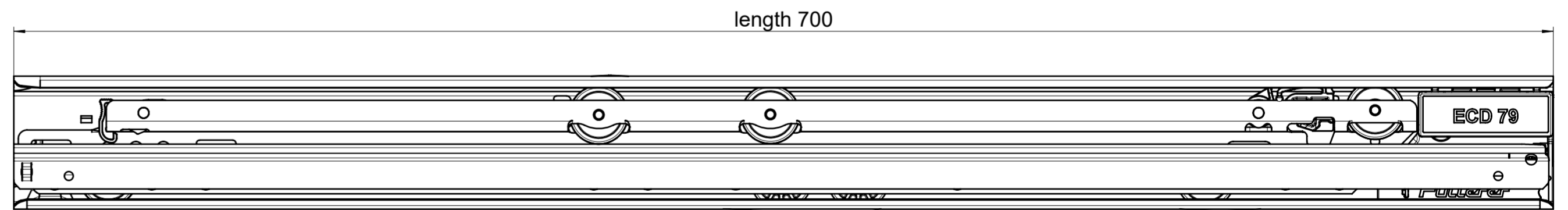
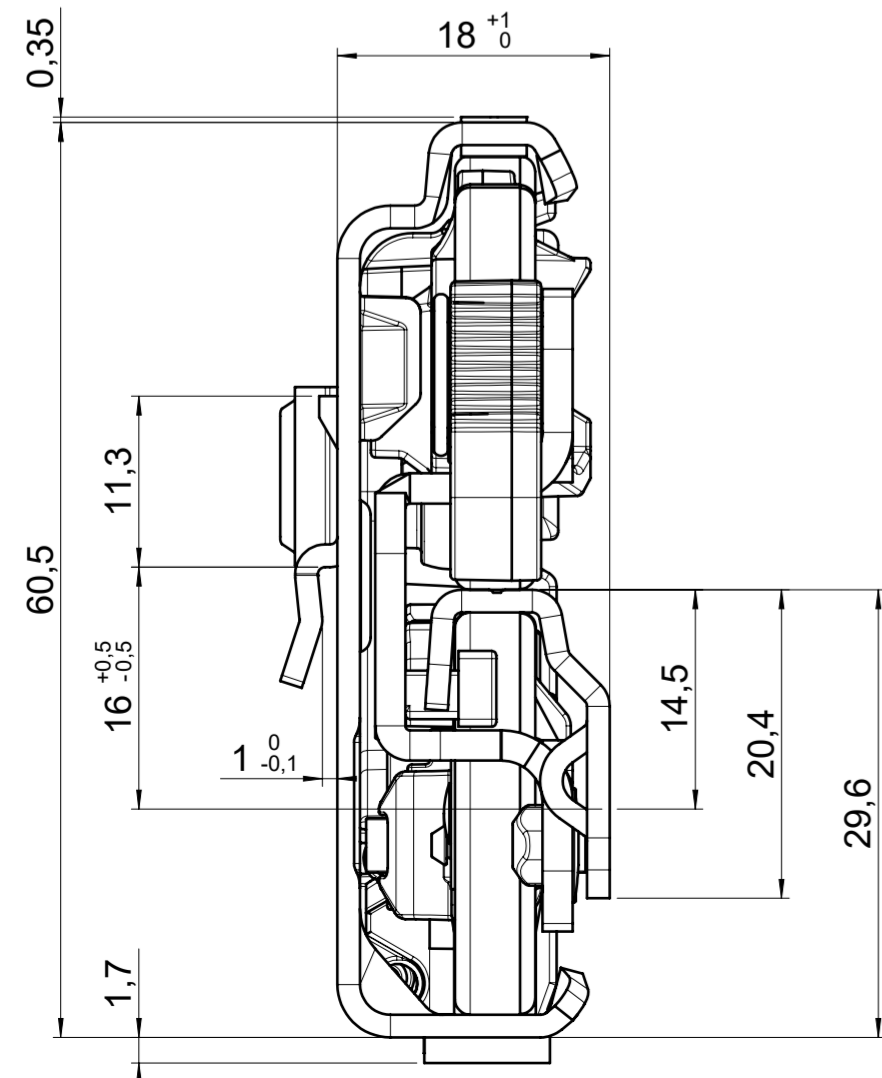
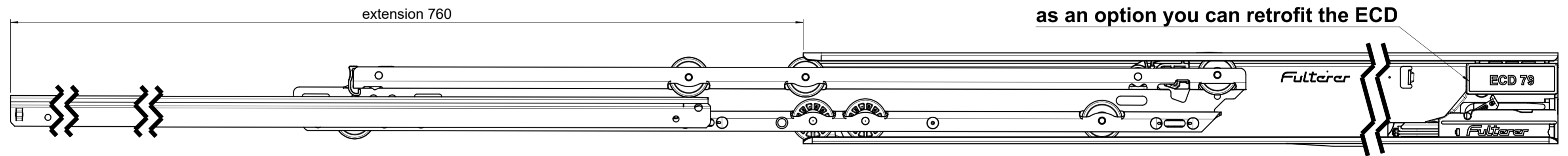
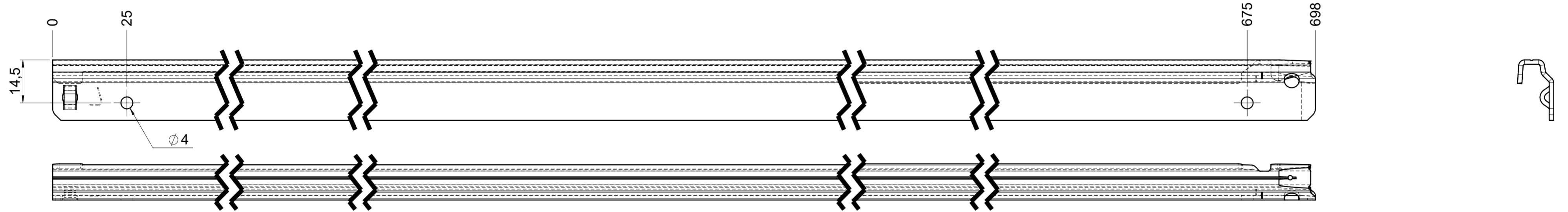
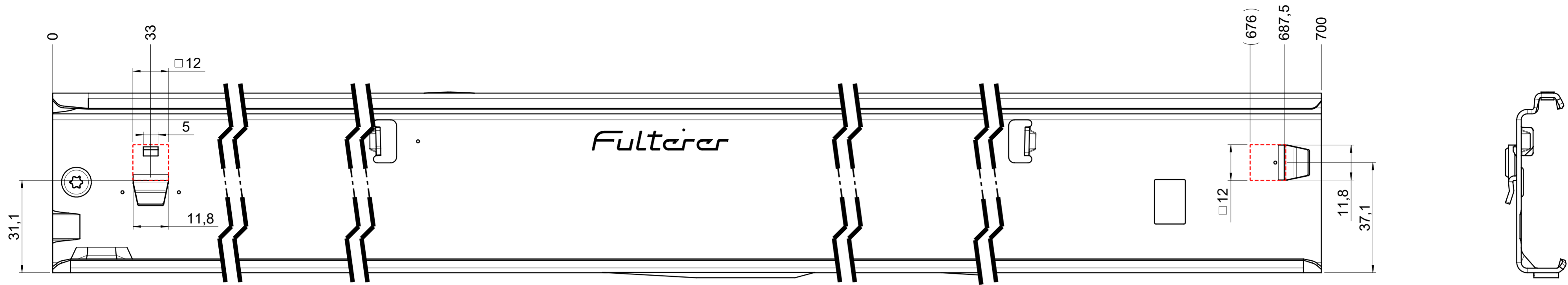


drawn on the left (mirrored on the right)




**final approval**

customer name:

signed by:

date:

all dimensions in mm			
missing dimensions see 3D = theor. intersection	scale: 1:1	surface/color:	material: CS (technical requirements Fulterer)
<b>prototype approval</b>	drawn: 2023-12-20 RK	date: 2024-01-12	name: RK
	proven: 2024-01-12 RK		
			description: <b>FR 795-700 CS EN (mm)</b> progressive-action over-extension drawerslide / side mount
Fulterer AG & Co KG A-6890 Lustenau Fulterer AG CH-9430 St. Margrethen			drawing number: <b>CS# 795.700-GA.L525</b> replaces the edition:
PDM 2023-12-20 RK ind. changes date name			covered according to DIN ISO 16016