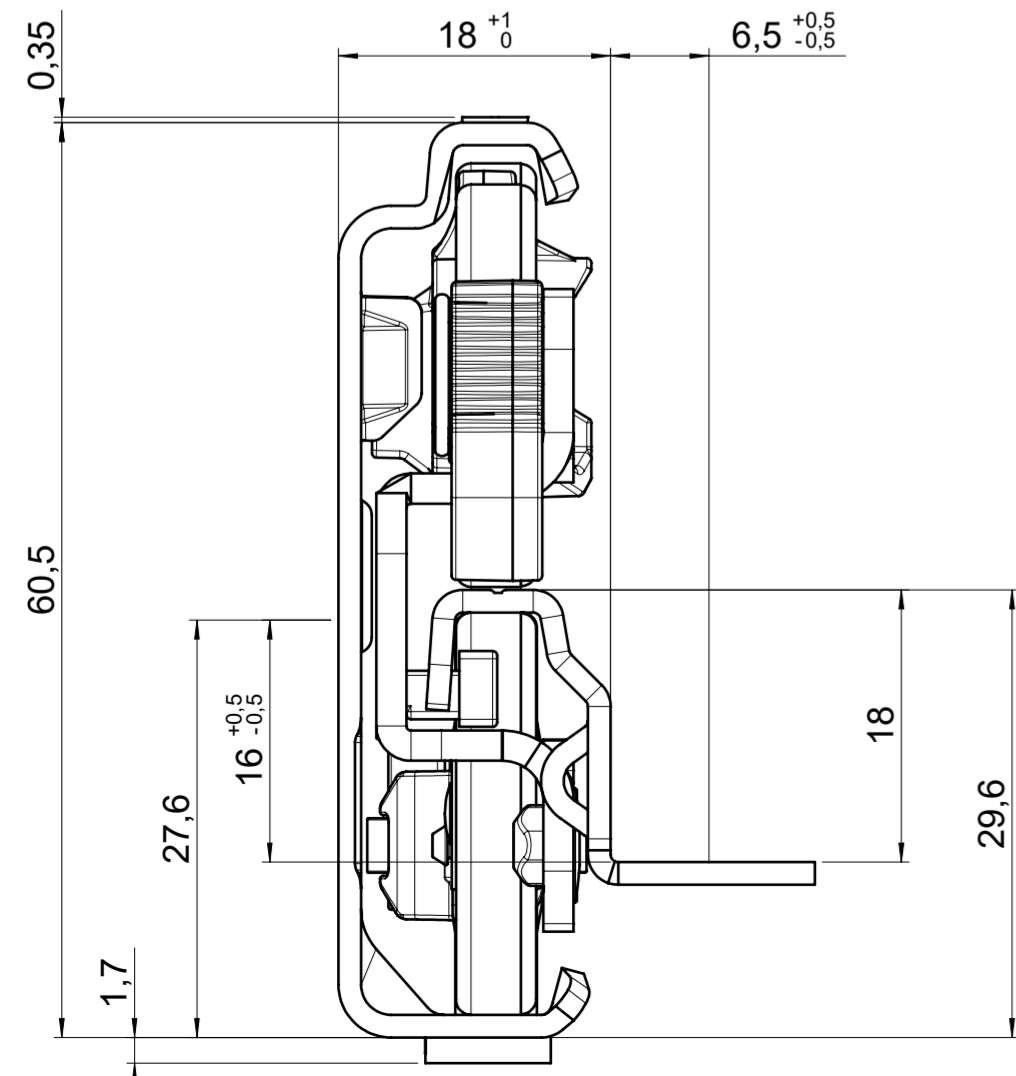
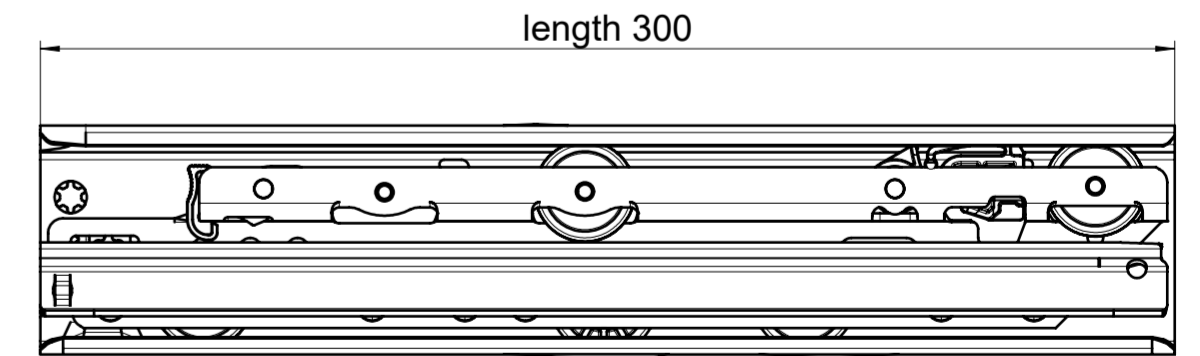
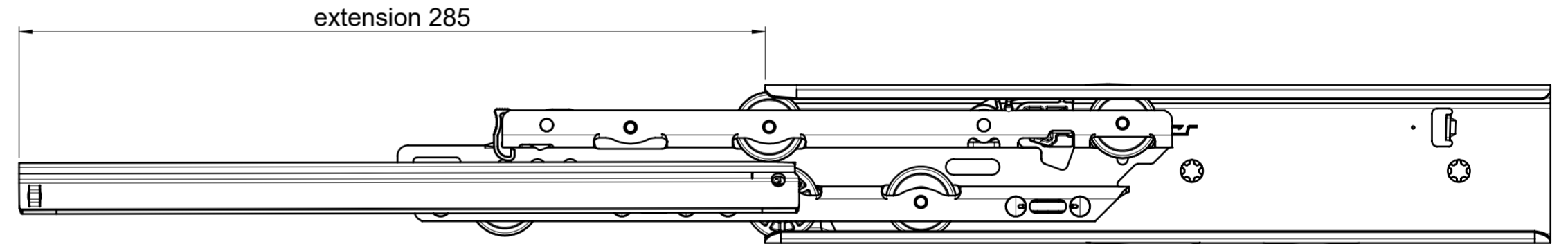
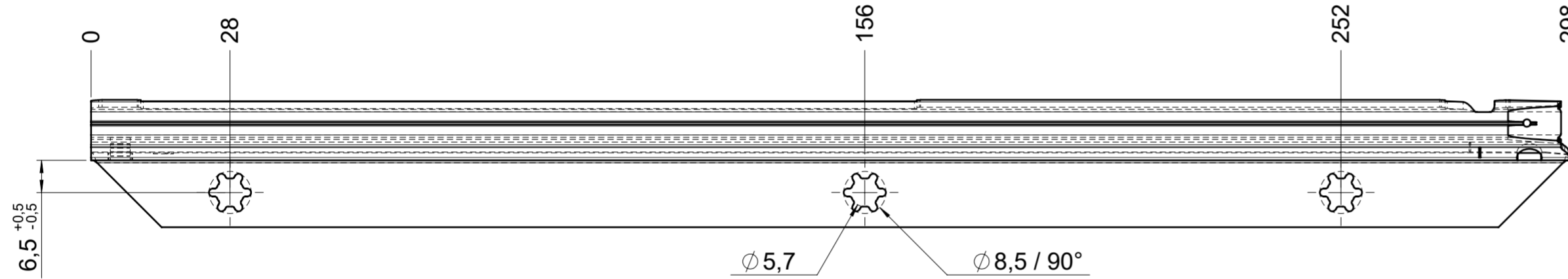
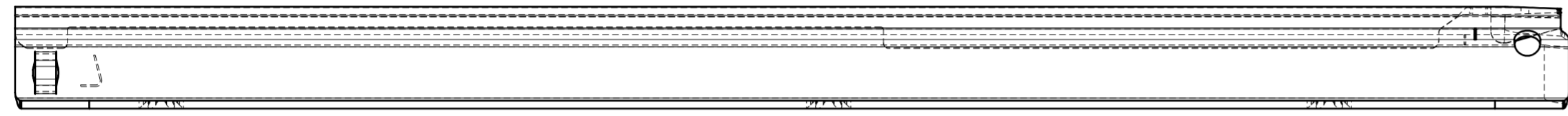
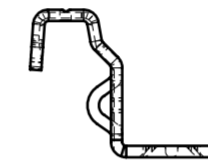
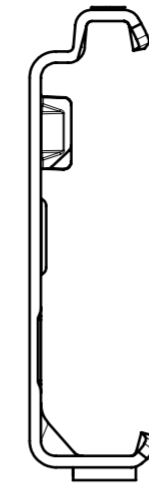
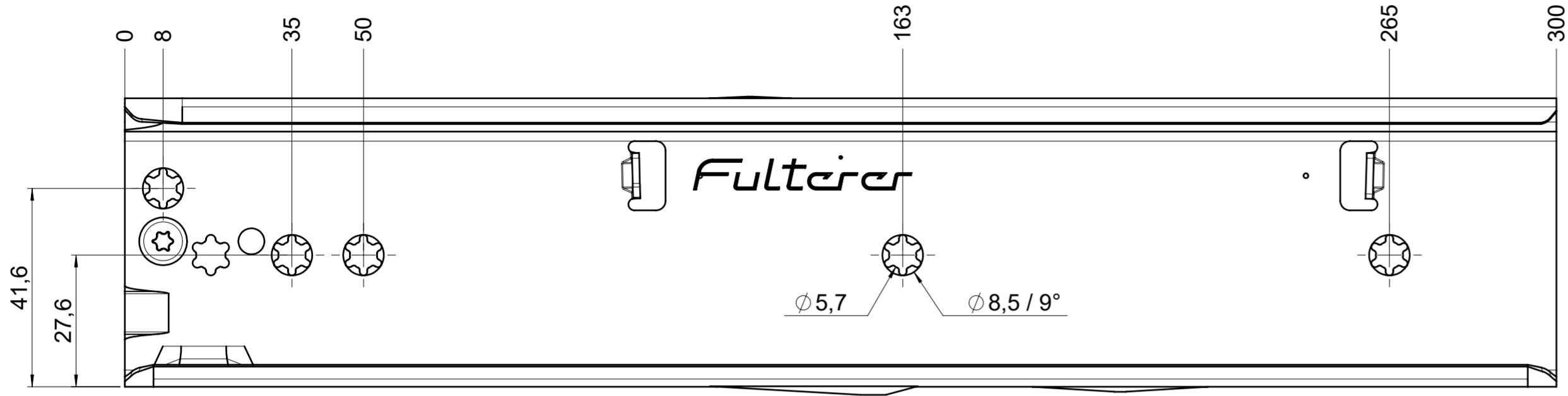


drawn on the left (mirrored on the right)



final approval

customer name:

signed by:

date:

all dimensions in mm					
missing dimensions see 3D $\Rightarrow \ominus$ = theor. intersection		scale: 1:1	surface/color:	material: CS	(technical requirements Fulterer)
prototype approval		drawn	date	name	description: FR 796-300 CS EN (mm) progressive-action full-extension drawerslide / bottom mount
		proven	2024-01-16	RK	
 Fulterer AG & Co KG A-6890 Lustenau Fulterer AG CH-9430 St. Margrethen		drawing number: CS# 796.300-GA.0000		replaces the edition:	
		ind. changes		date	name