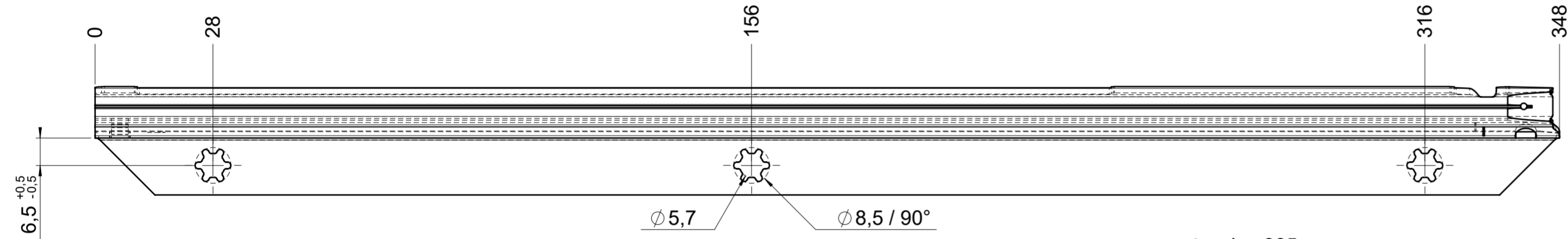
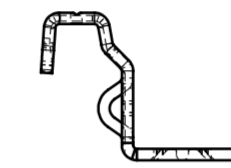
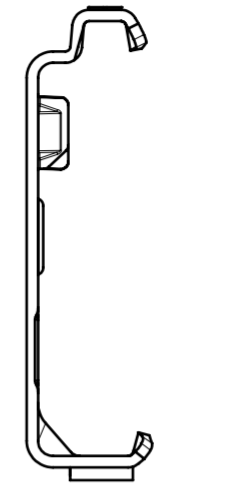
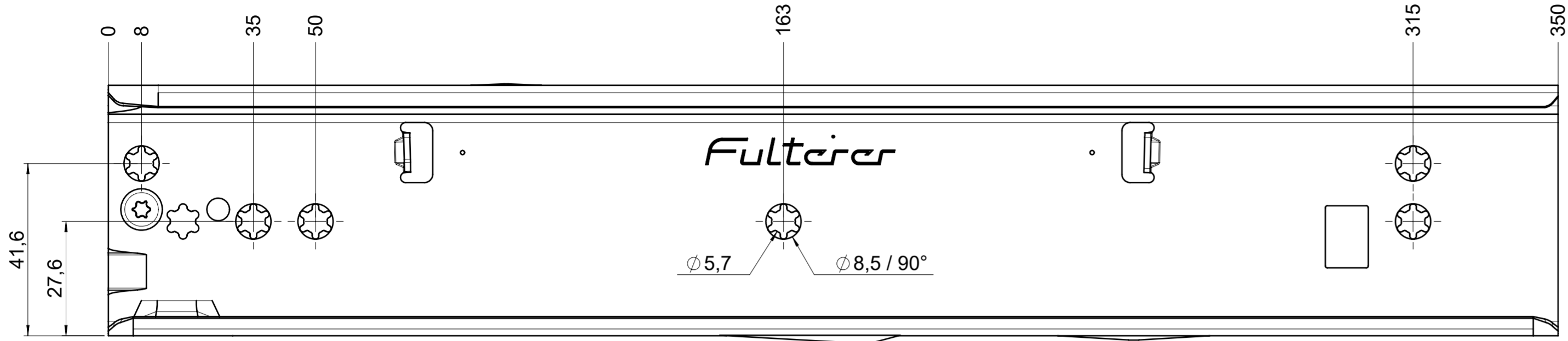
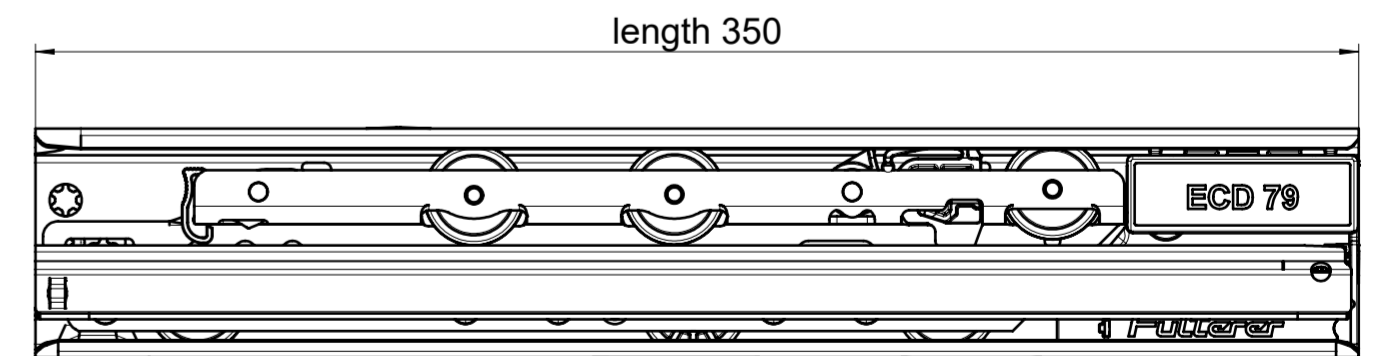
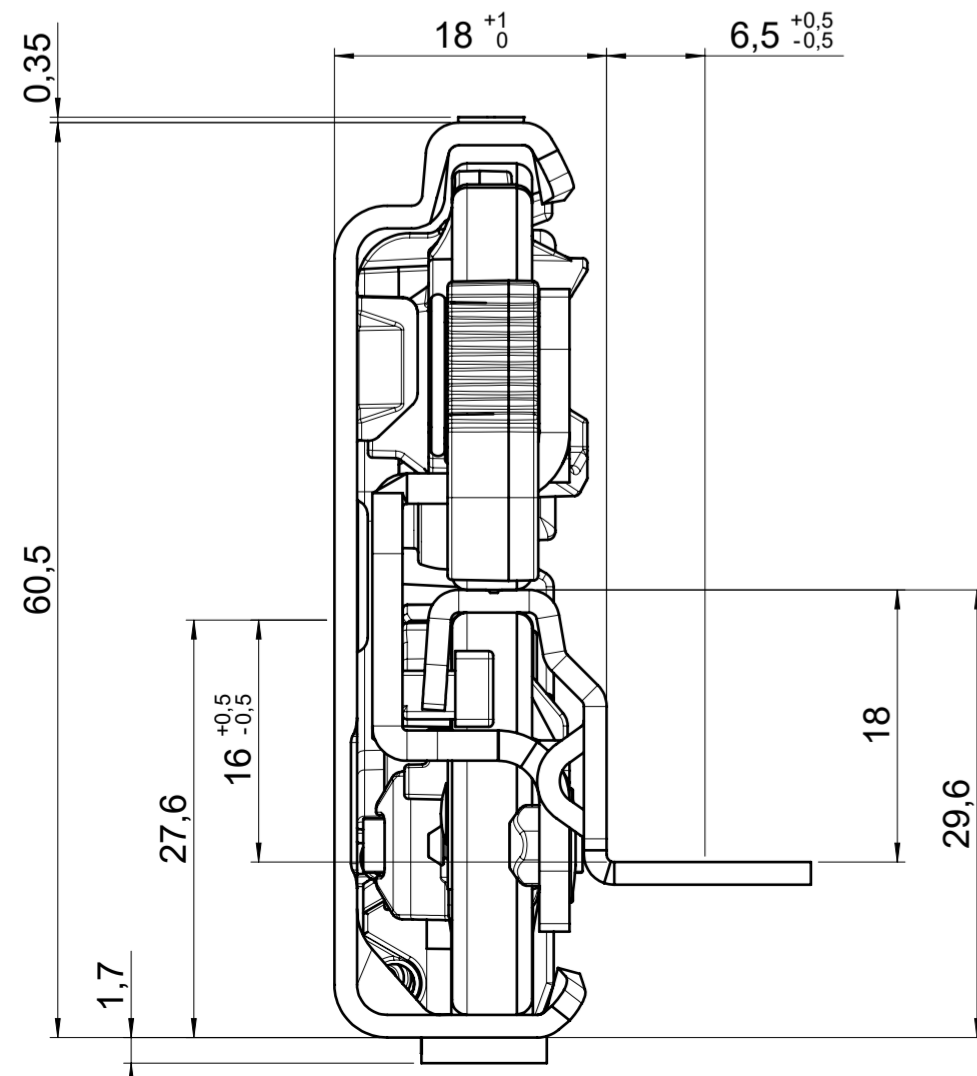
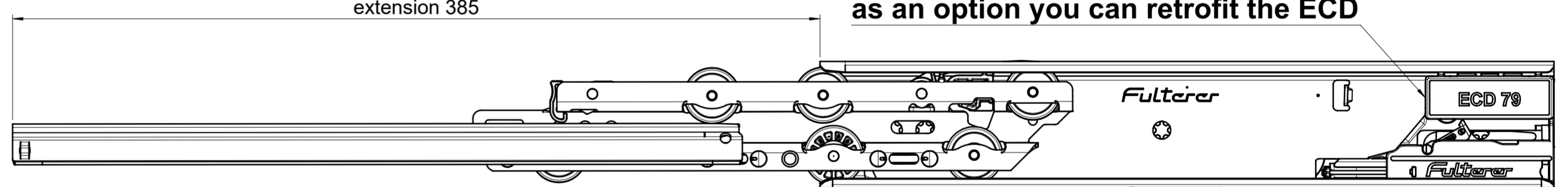


drawn on the left (mirrored on the right)



extension 385

as an option you can retrofit the ECD



**final approval**

customer name:

signed by:

date:

all dimensions in mm					
missing dimensions see 3D $\varnothing$ = theor. intersection		scale: <b>1:1</b>	surface/color:	material: <b>CS</b>	(technical requirements Fulterer)
<b>prototype approval</b>		drawn	date	name	description: <b>FR 796-350 CS EN (mm)</b> progressive-action over-extension drawerslide / bottom mount
		proven	2024-01-15	RK	
 Fulterer AG & Co KG A-6890 Lustenau		drawing number: <b>CS# 796.350-GA.L500</b>		replaces the edition:	
		Fulterer AG CH-9430 St. Margrethen			
ind. changes	date	name			
<small>This drawing remains our property and may not be multiplied neither be disclosed to third parties (§§1.3 and 5 from the copyright Act (UrHG)).</small>					